

Enterprise CS3 Undermount Slides
Synchronized, Full Extension, Soft Close

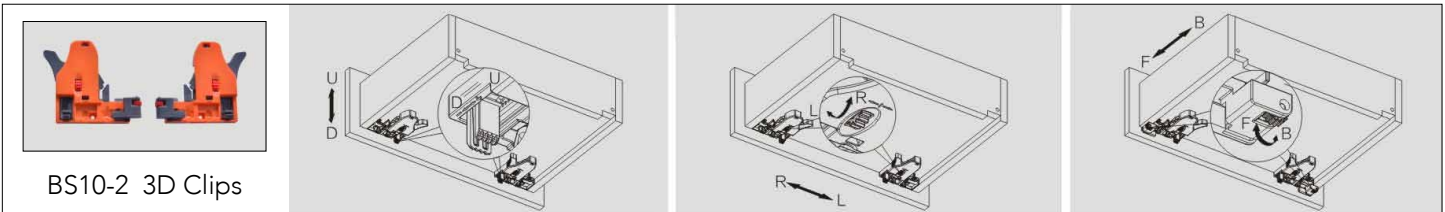


- Rack and Pinion (Synchronized), silent, smooth soft-close system
- 88 lbs. Load Capacity
- 1/2" or 5/8" drawer side
- 3D clips adjusts for Height (0 +3mm), Side (± 1.5 mm) and Inset / depth (0 +3mm)
- Rear Bracket available

Height adjustment (0 +3mm)

Side adjustment (± 1.5 mm)

Inset adjustment (0 +3mm)



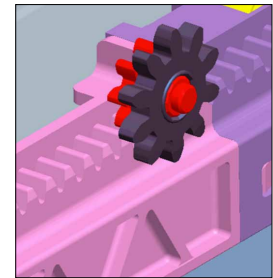
BS10-2 3D Clips

Synchronization:

Unique design with Rack and Pinion gears. Slides always move Together at the Same Time and Speed.

Synchronized movements:

- Eliminate the racking on wider drawers
- Reduce noise and resistance
- Allow smoother action and higher loads



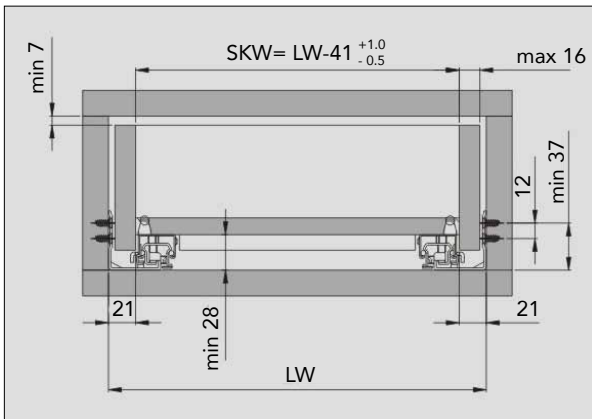
RMB
Rear Steel Brackets

Code	Drawer Length <u>1/2" or 5/8" mat.</u>	Min Cabinet Depth <u>w/ rear bracket</u>	Ctn	List/pr
CS3-12	12" / 305mm	340 - 360	6	\$ 19.30
CS3-15	15" / 381mm	416 - 436	6	21.10
CS3-18	18" / 457mm	494 - 514	6	22.94
CS3-21	21" / 533mm	568 - 588	6	24.87
BS10-2	3D Clips for CS3 Slides		100	\$ 2.52
RMB	Rear Steel Brackets		100	.81

Enterprise CS3 Undermount Slides Installation and Drawer Dimensions

Installation Dimensions

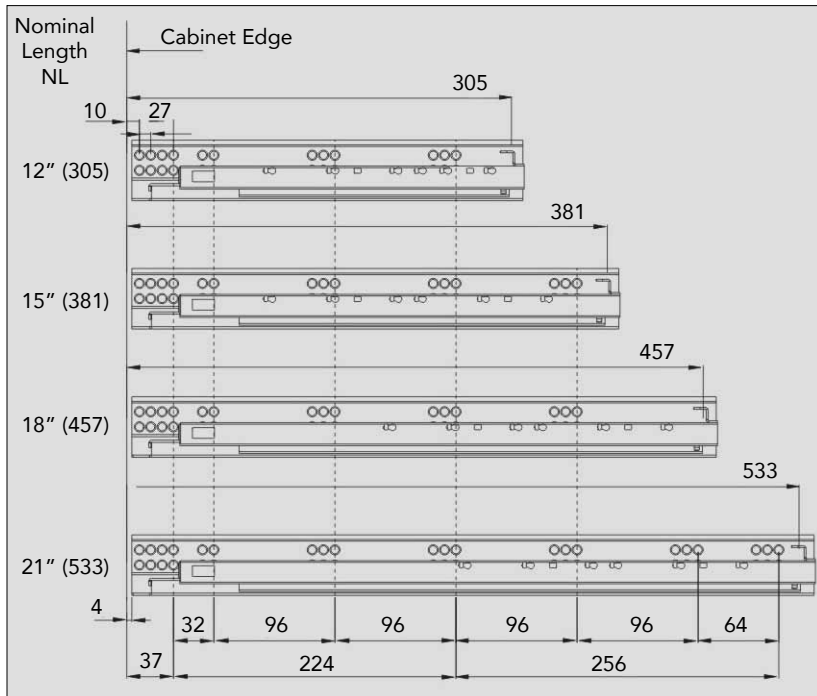
Installation for drawer with max 16mm thick drawer side.
LW = Internal Cab Width, SKW = Internal drawer width



NL	LT Min	LT Max
12"	340	360
15"	416	436
18"	494	514
21"	568	588

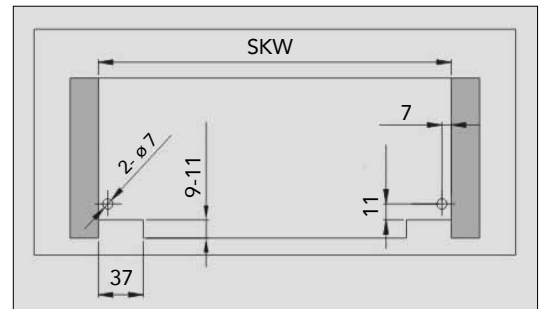
Metal Rear Bracket Installation dimensions for 16mm

LT = Inside Cabinet Length, NL = Nominal Length



Drawer Box Prep:

SKW = Internal Drawer Width



Drawer: Rear View