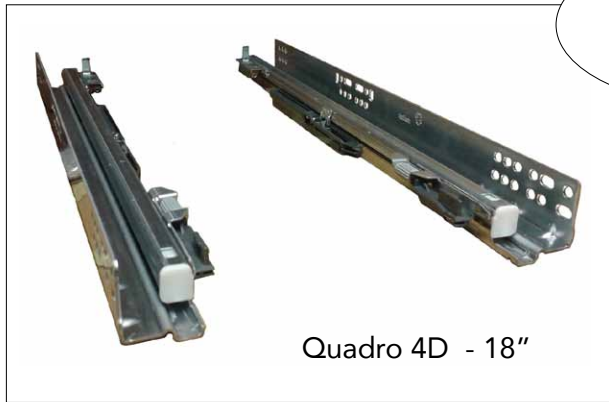




QUADRO 4D UNDERMOUNT SLIDES - IW21

4-Way adjustment for Perfect Gap alignment



18" and 21"
\$ 15.79/pr

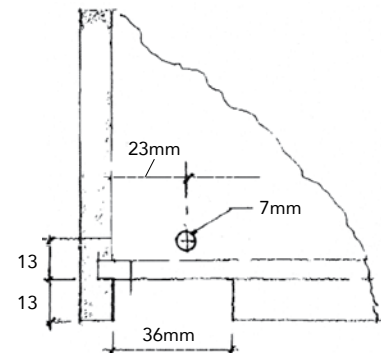
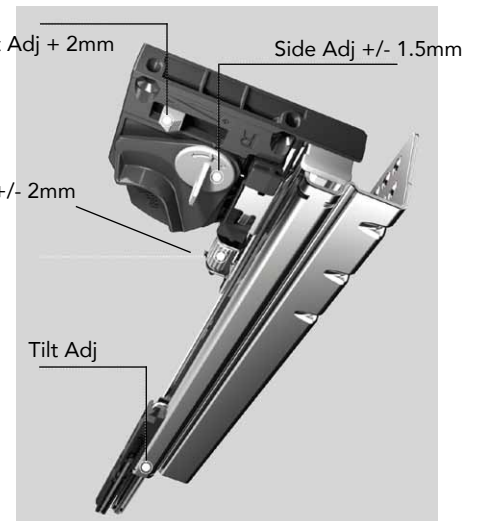
- Load cap: 100 lbs. when mounted to cabinet wall
66 lbs. when mounted with a rear bracket
- All steel chrome plated bearings ensure a smooth glide for the entire life of the slide
- Ingrated Silent System closes the drawer quietly and gently
- Tool-free adjustment for height, side, and inset depth. Optional rear tilt bracket is also tool-free.
- Self-cleaning ball-bearing tracks
- Uses #6-58FPDT screws (sold separately)
- Elongated screw holes allow more adjustment



Front Clip:
- Side adj.
- Height adj.



Rear Tilt Bracket



Code	Size	Ctn	Net/5pr	20/pr
9181146-47	18"	10 pr	\$ 16.95	\$ 15.79
9181148-49	21"	10	16.95	15.79

Code	Description	Ctn	Net
9218980	Front Fixing Clips (pr) includes spacer	10	\$ 1.79 /pr
9205924	Tilt Adjustment LH	100	.76 /ea
9205925	Tilt Adjustment RH	100	.76
9055093	Metal Rear Bracket	10	1.32 /st

IW21 Drawer Box Outside Width	
For box thickness	Deduct from cabinet opening
1/2"	5/8"
5/8"	3/8"

Maximum drawer height = cabinet opening height - 20mm (13/16")

2mm case setback, 1.5mm drawer front gap.

Ask your Salesman about Pallet Pricing!