

SALICE WIND Lift System - Soft Close Kits

Sales Bulletin
August 2017

A compact adjustable lift system that takes up a minimum of valuable storage space. The color coded springs makes inventory control and selection easy to understand. Installation on the door is as simple as boring a 35mm hinge cup hole.

Wind kit consists of a right and left mechanism, 2 door cups and a right and left mechanism housing. Wind cover kit (Gray with nickel cover cap), although available as a separate item, will get added to the order automatically. Other colors available special order. Note: The weight of the door must also be considered when selecting a lift system. See charts on reverse for system selection by weight and door dimension.

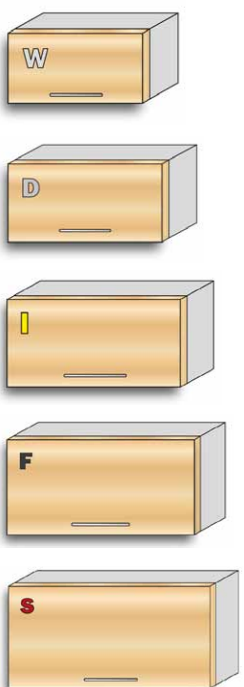








- Integrated Soft Close feature; Push to Open available special order
- Spring Force adjustment, Soft Close adjustment
- Opening angle of 86 or 94 degrees
- Min door thickness: 5/8" (16mm)
- Max door thickness: 1-1/8" (28mm)
- Top overlay possibility: from 5/8" to 3/4"
- Edge bore distance on the door: 3 to 7mm
- Supplied with an angle reduction clip installed, reducing the opening angle to 86°. May be removed to achieve 94° if the 'K' boring distance on the door is 5mm or less
- Mechanism Adjustment:
 - Depth: -1.0mm, +3.0mm
 - Side: +2.0mm, -2.0mm
 - Height: +2.0mm, -2.0mm

Wind Mechanism Dimensions:
1.5" W x 7.95" D x 2.25" H

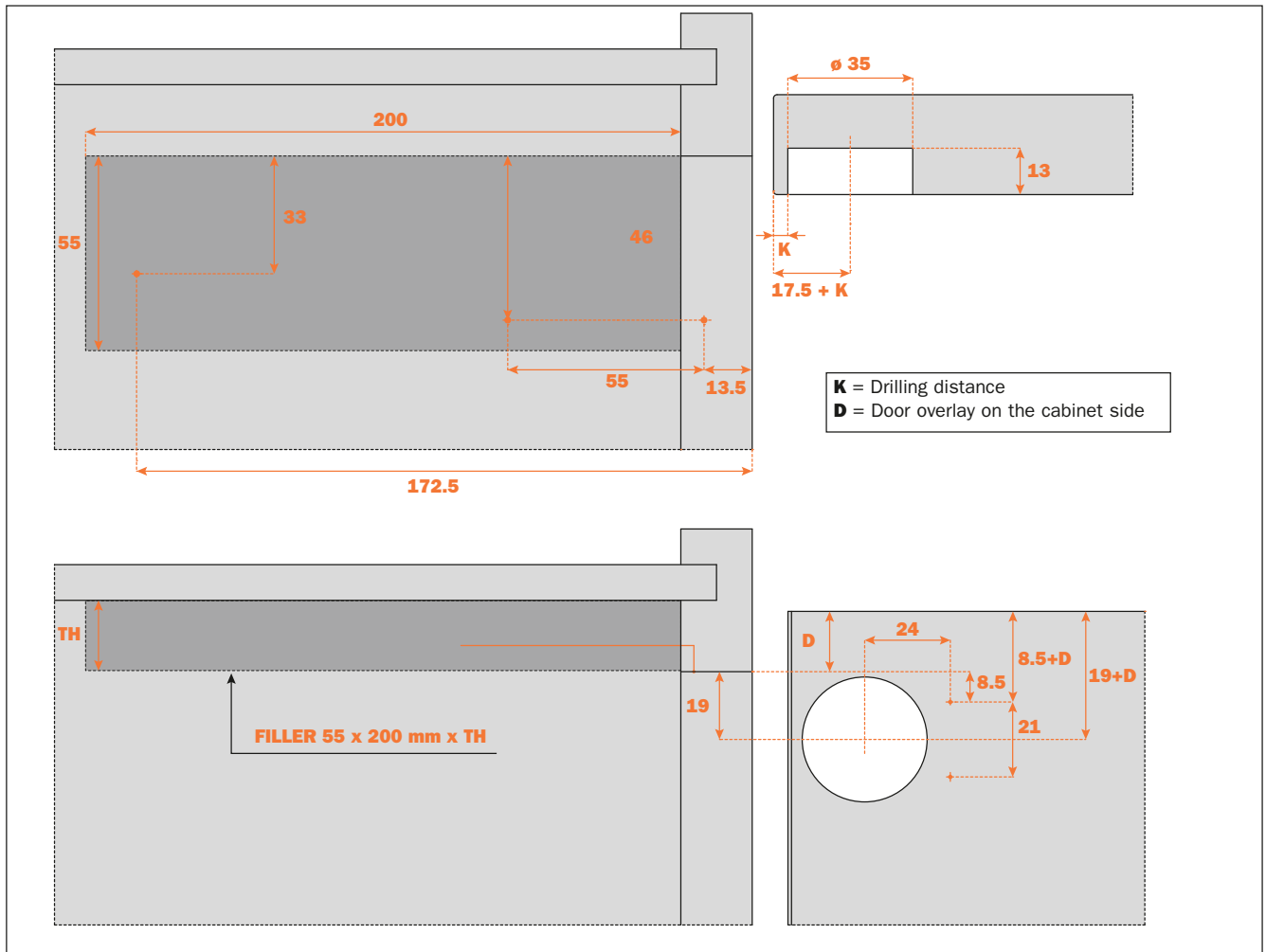


YouTube See video on Salice Wind Lift System at macmurraypacific.com/videos.html#salice

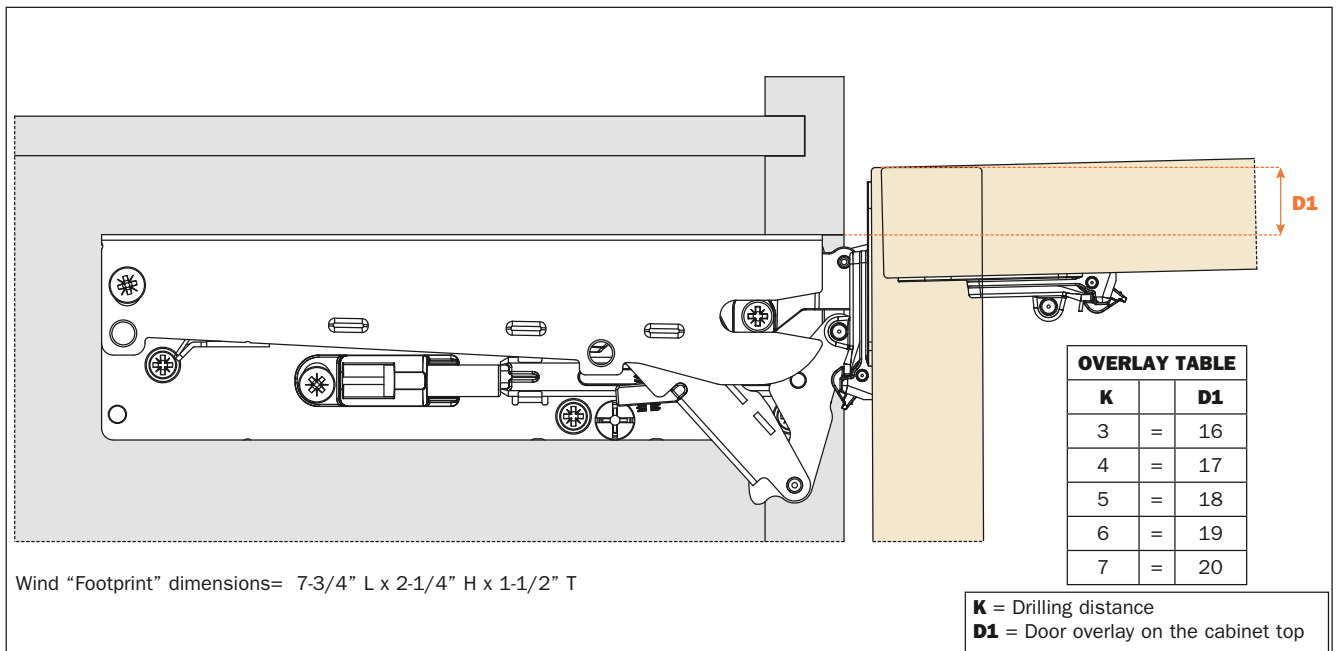


Code	Door Height	Door Weight	Spring Color Code Combination	List/Set
WIND-W	Min: 8-5/8" Max: 15-3/4"	Min: 1.75 lbs. Max: 11.5 lbs.	 (White Spring/ Free Swing)	\$ 76.52
WIND-D	Min: 8-5/8" Max: 24"	Min: 4 lbs. Max: 17 lbs.	 (Yellow Spring/ Free Swing)	76.95
WIND-I	Min: 12-9/16" Max: 24"	Min: 10.5 lbs. Max: 21 lbs.	 (Yellow Spring/ Yellow Spring)	121.41
WIND-F	Min: 12-9/16" Max: 24"	Min: 18.5 lbs. Max: 32 lbs.	 (Black Spring/ Black Spring)	124.96
WIND-S	Min: 12-9/16" Max: 24"	Min: 26 lbs. Max: 41 lbs.	 (Red Spring/ Red Spring)	127.17
WIND-COVER		Grey Cover with Nickel Plated Cover Cap LH and RH Set		6.16

Drilling Pattern

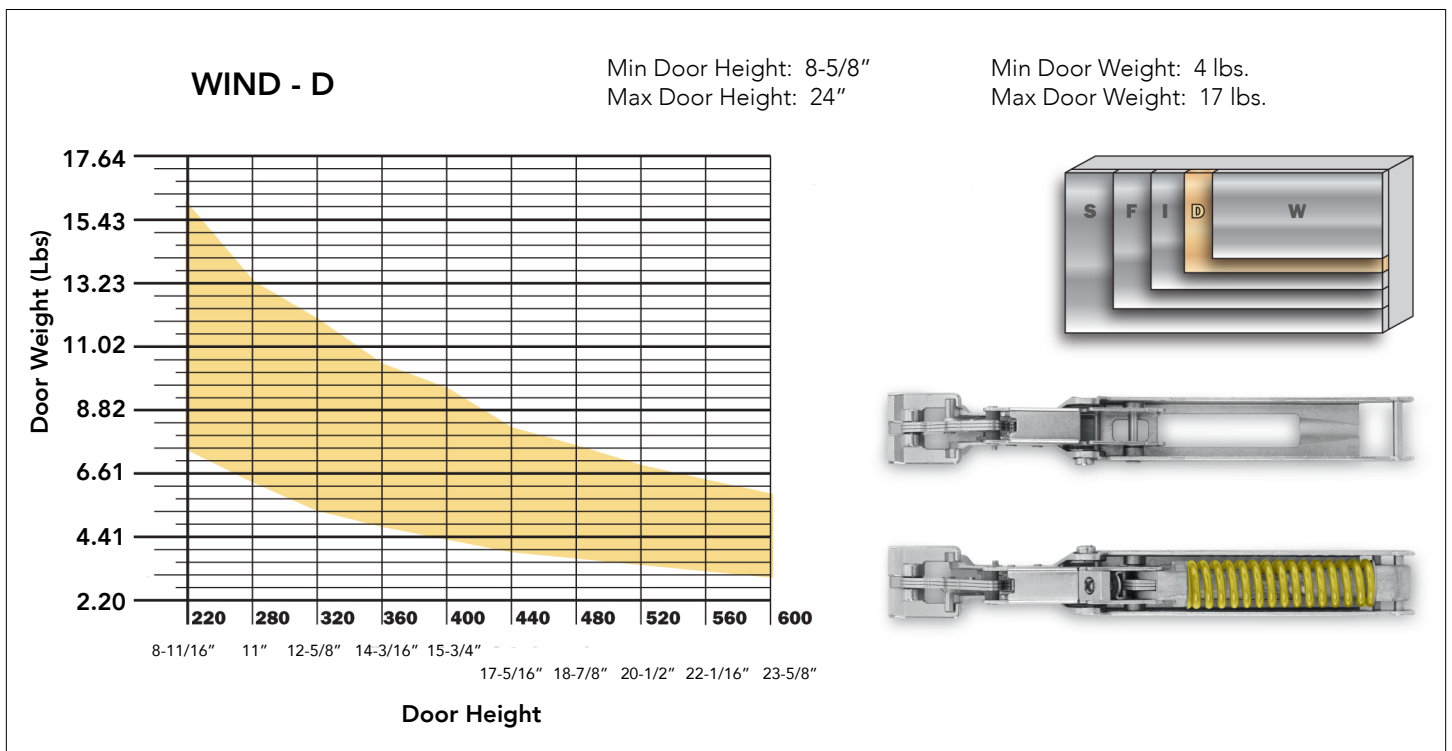
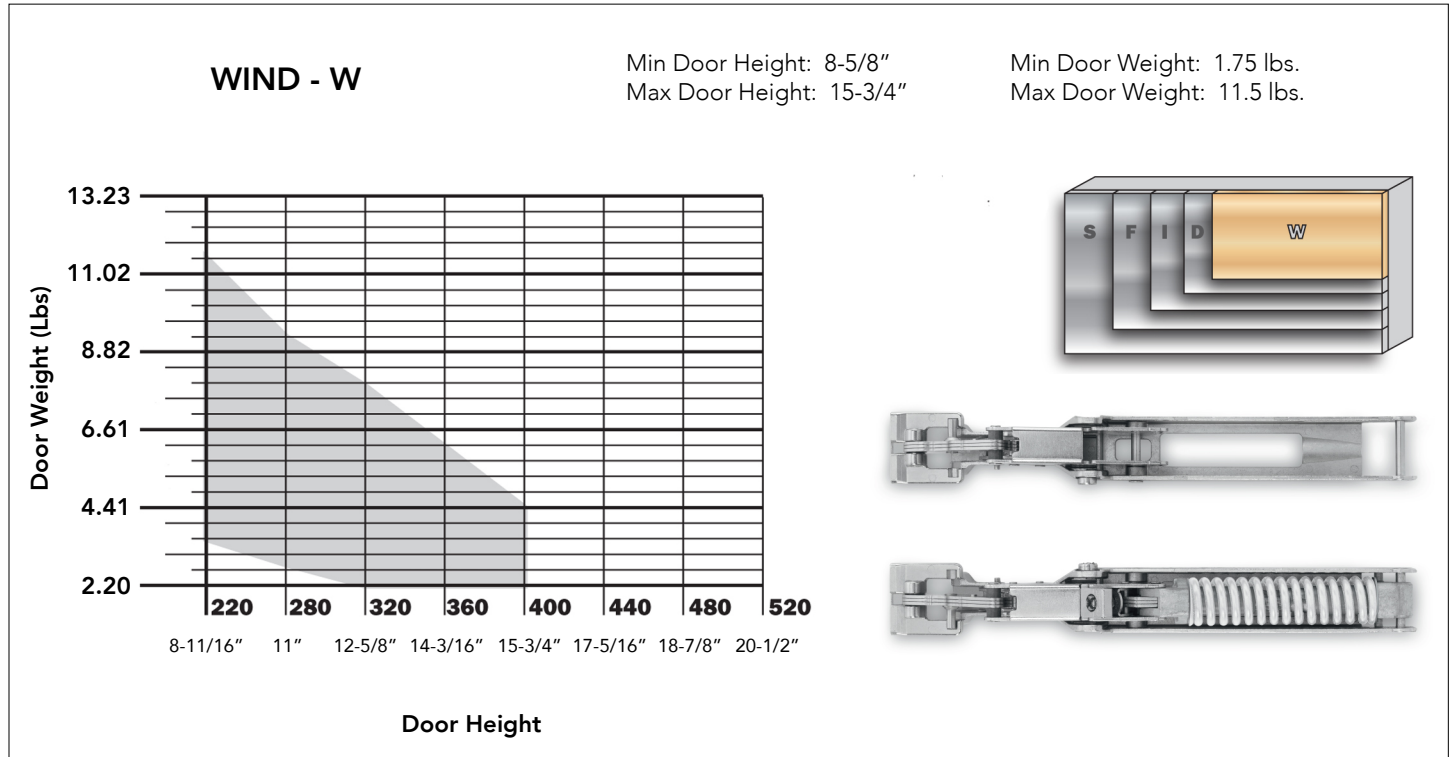


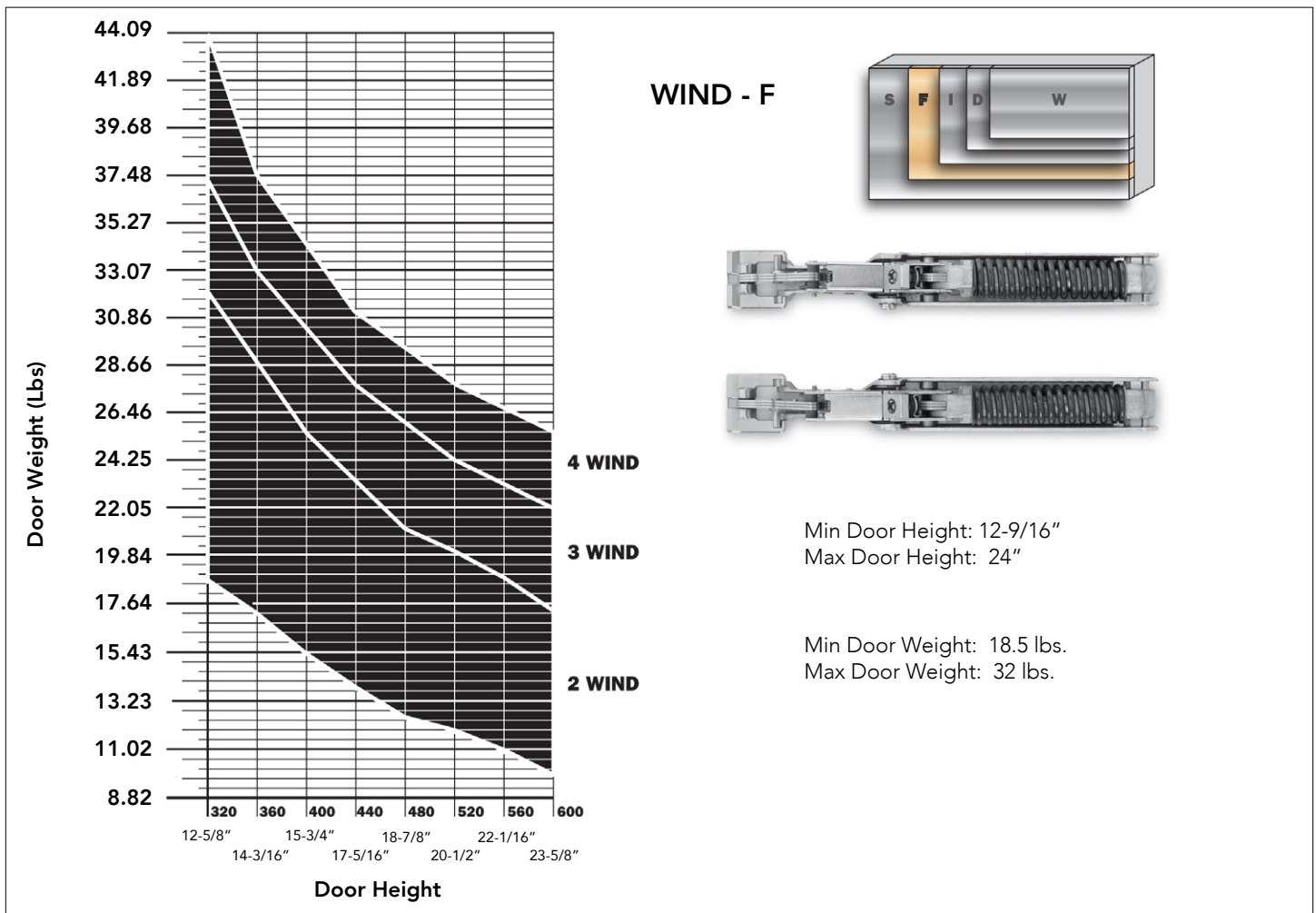
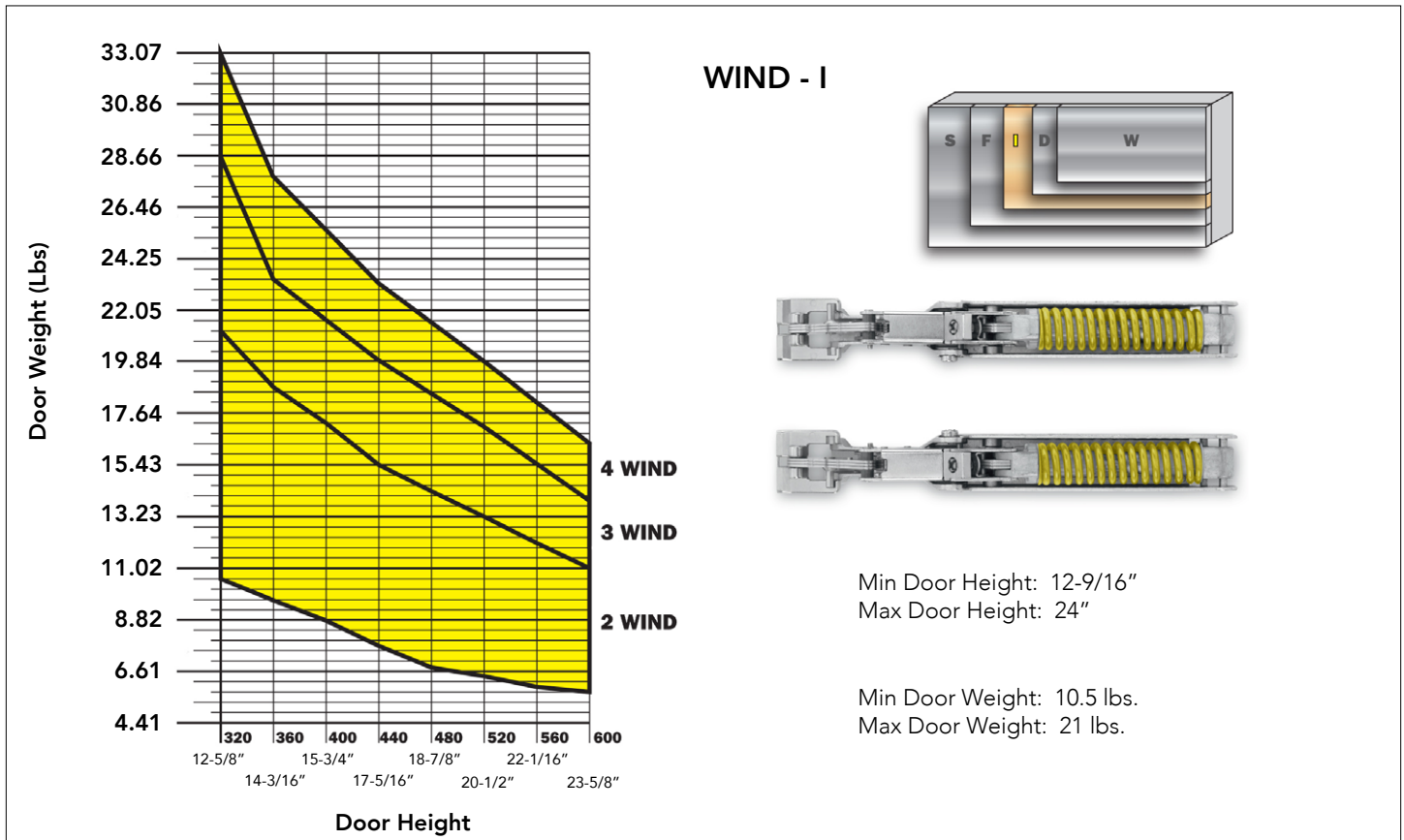
Space needed to open the door



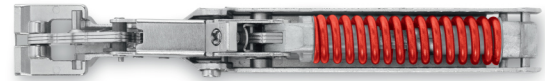
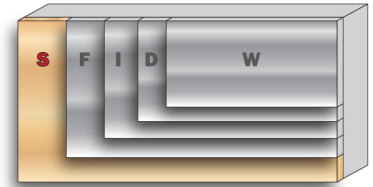
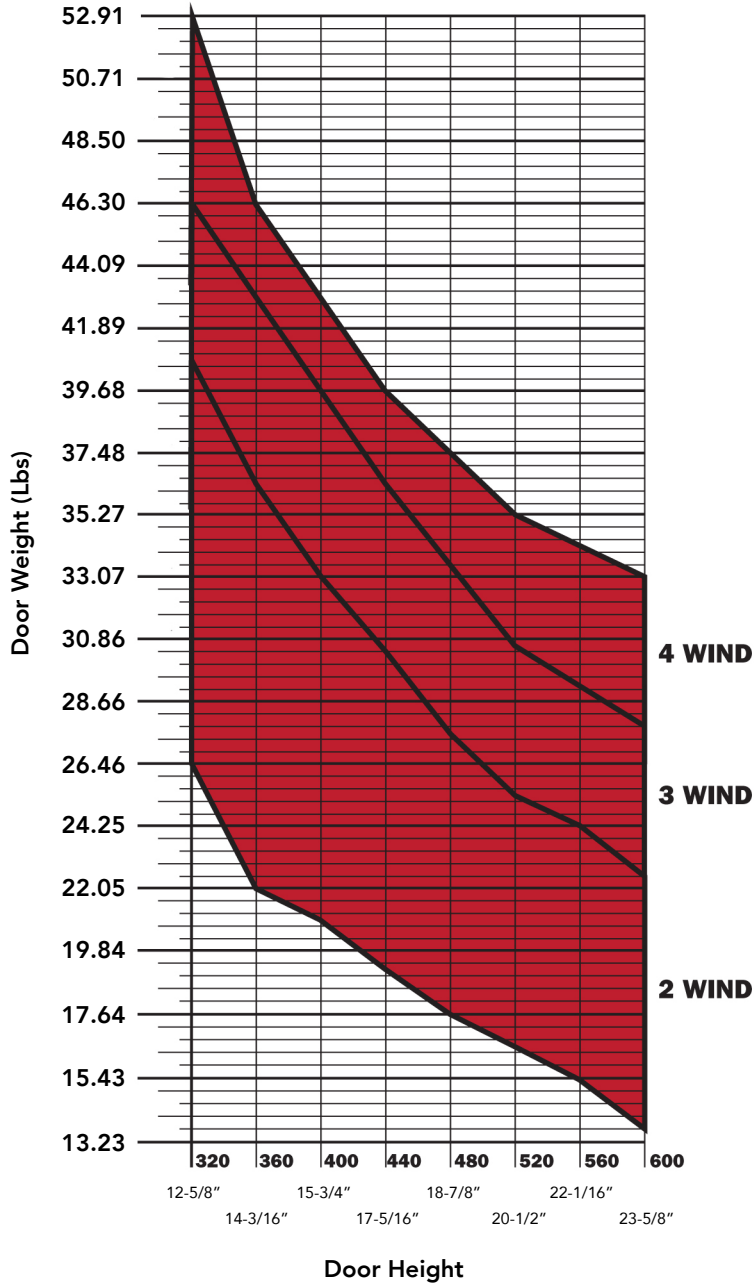
Charts and Spring force identification for Wind Kits

Use charts to determine the correct lift mechanism based on the door height and weight. When calculating the door weight you must include the weight of the decorative hardware. The maximum door width for two Wind lifts is 48" (1200mm). Note: Wind can be used on doors that are larger or heavier by adding additional Wind lifts to the cabinet and door. This can be done by installing a center partition and adding additional Wind lifts or by utilizing the Top Mount Brackets with additional Wind lifts.





WIND - S



Min Door Height: 12-9/16"
Max Door Height: 24"

Min Door Weight: 26 lbs.
Max Door Weight: 41 lbs.