

SALICE WIND Lift System - Soft Close Kits

Sales Bulletin
August 2017

A compact adjustable lift system that takes up a minimum of valuable storage space. The color coded springs makes inventory control and selection easy to understand. Installation on the door is as simple as boring a 35mm hinge cup hole.

Wind kit consists of a right and left mechanism, 2 door cups and a right and left mechanism housing. Wind cover kit (Gray with nickel cover cap), although available as a separate item, will get added to the order automatically. Other colors available special order. Note: The weight of the door must also be considered when selecting a lift system. See charts on reverse for system selection by weight and door dimension.

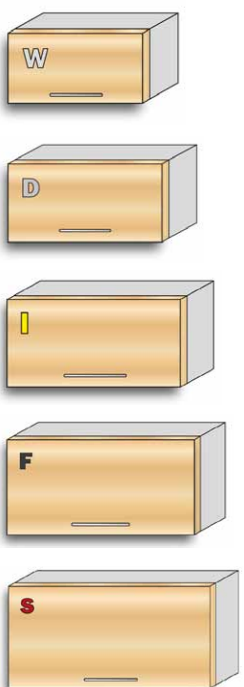








- Integrated Soft Close feature; see Push to Open sets next page
- Spring Force adjustment, Soft Close adjustment
- Opening angle of 86 or 94 degrees
- Min door thickness: 5/8" (16mm)
- Max door thickness: 1-1/8" (28mm)
- Top overlay possibility: from 5/8" to 3/4"
- Edge bore distance on the door: 3 to 7mm
- Supplied with an angle reduction clip installed, reducing the opening angle to 86°. May be removed to achieve 94° if the 'K' boring distance on the door is 5mm or less
- Mechanism Adjustment:
 - Depth: -1.0mm, +3.0mm
 - Side: +2.0mm, -2.0mm
 - Height: +2.0mm, -2.0mm

Wind Mechanism Dimensions:
1.5" W x 7.95" D x 2.25" H



YouTube See video on Salice Wind Lift System at macmurraypacific.com/videos.html#salice



Code	Door Height	Door Weight	Spring Color Code Combination	List/Set
WIND-W	Min: 8-5/8" Max: 15-3/4"	Min: 1.75 lbs. Max: 11.5 lbs.	 (White Spring/ Free Swing)	\$ 76.52
WIND-D	Min: 8-5/8" Max: 24"	Min: 4 lbs. Max: 17 lbs.	 (Yellow Spring/ Free Swing)	76.95
WIND-I	Min: 12-9/16" Max: 24"	Min: 10.5 lbs. Max: 21 lbs.	 (Yellow Spring/ Yellow Spring)	121.41
WIND-F	Min: 12-9/16" Max: 24"	Min: 18.5 lbs. Max: 32 lbs.	 (Black Spring/ Black Spring)	124.96
WIND-S	Min: 12-9/16" Max: 24"	Min: 26 lbs. Max: 41 lbs.	 (Red Spring/ Red Spring)	127.17
WIND-COVER		Grey Cover with Nickel Plated Cover Cap LH and RH Set		6.16

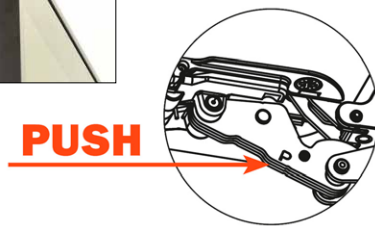
SALICE WIND Lift System - Push to Open Kits



Sales Bulletin
October 2017



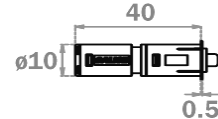
Wind lift mechanism without soft close device, but with a push to open feature using release devices and retaining catches.



Magnetic Push Release Device



DPMSNB
Release Device



Magnetic Push Release Device

Release device to be used with DPMSNB for narrow cabinets (8-5/8" - 16")

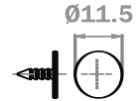


DPASNB
Release Device

DP39XXG Retaining Catch
Adjustable Magnetic Strike Plate

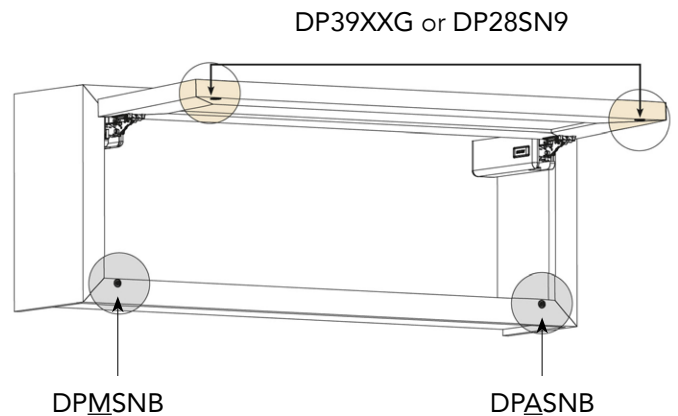
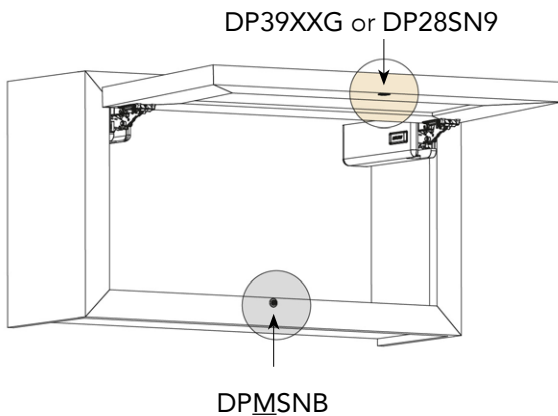


DP28SN9 Retaining Catch
Mag plate w/ nail



For Cabinets 16" - 24" (406mm - 610mm)

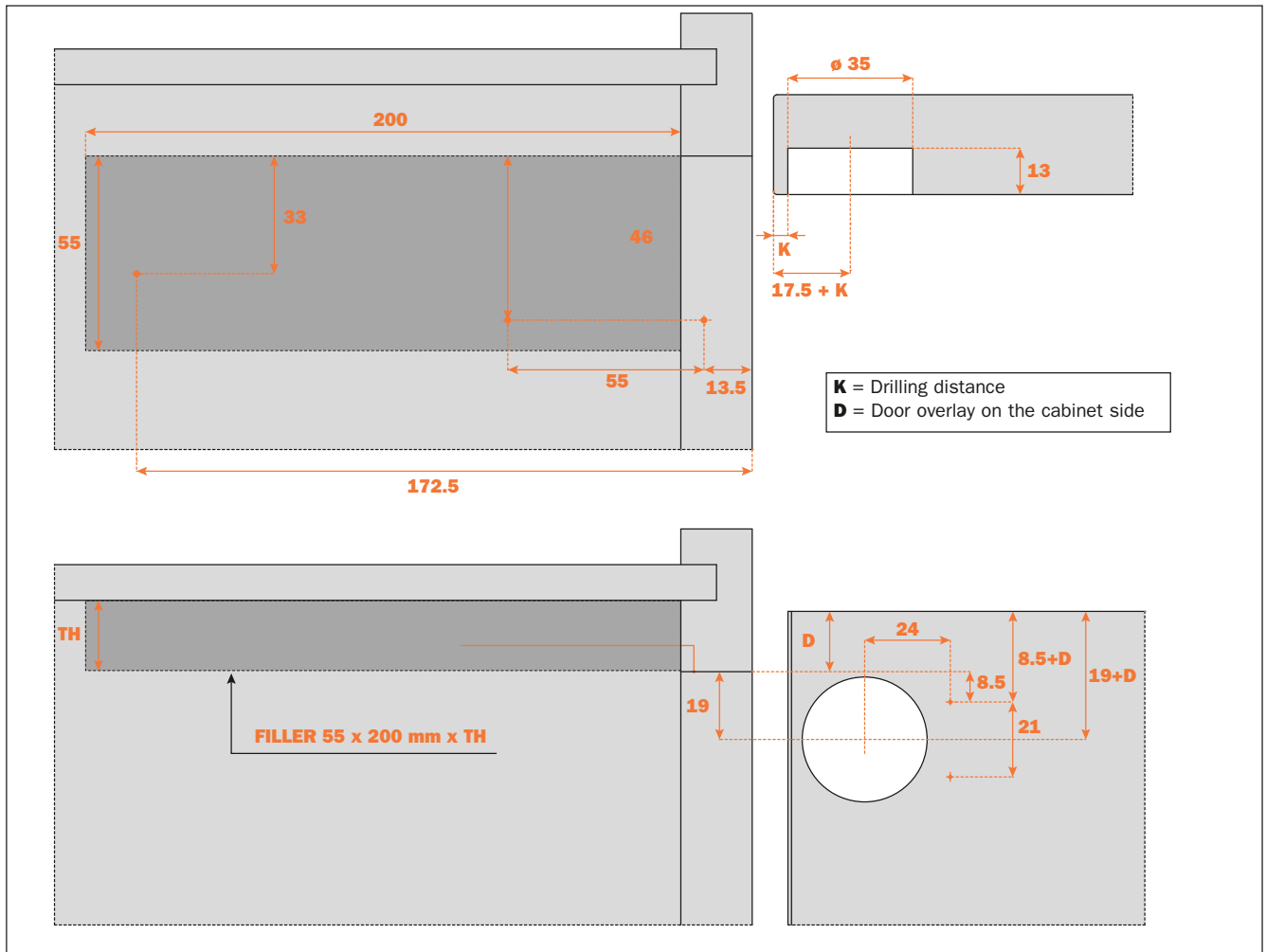
For Cabinets 8-5/8" - 16" (220mm - 406mm)



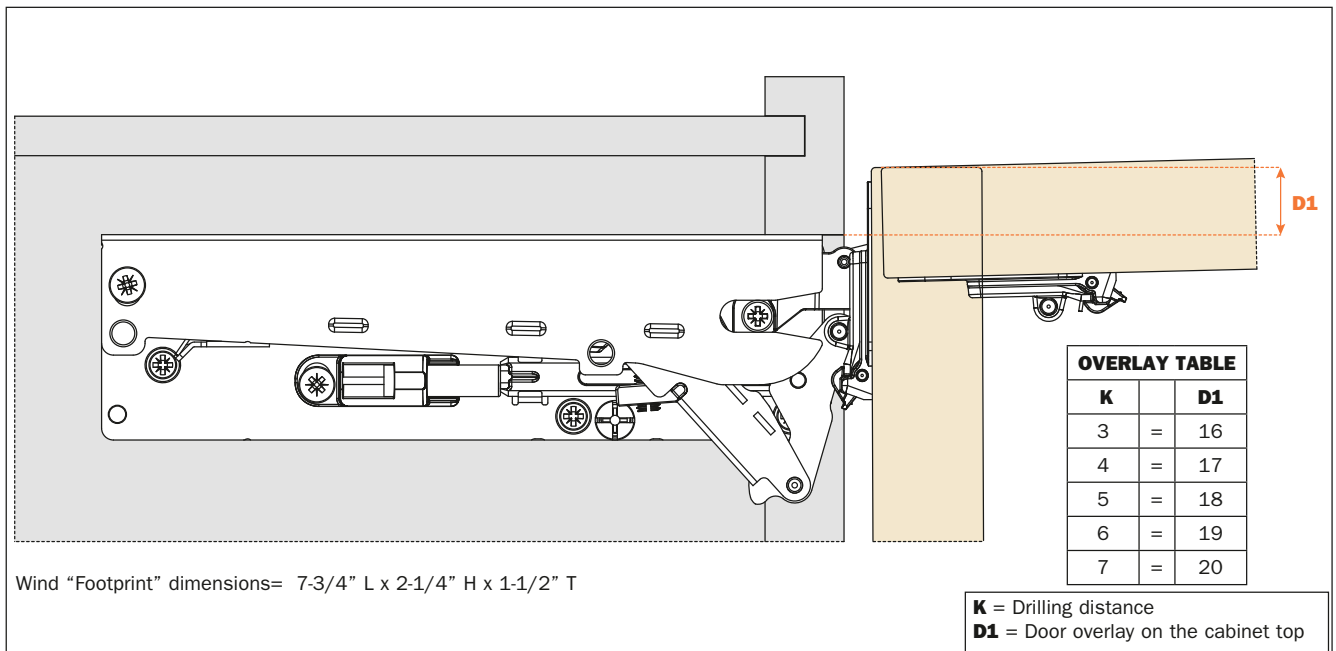
Code	Description	List/Set
WIND-WP ○ ○	Push - White/Free	\$ 87.94
WIND-DP ● ○	Push - Yellow/Free	88.39
WIND-IP ● ●	Push - Yellow/Yellow	138.21
WIND-FP ● ●	Push - Black/Black	142.29
WIND-SP ● ●	Push - Red/Red	144.80
WIND-COVER	L/R Cover Cap set	6.16

Code	Description	List/ea
DPMSNB	Beige Push Release Device	\$ 9.29
DPASNB	Beige Push Release Device for narrow cabinets	9.25
DP39XXG	Adj. Magnetic Strike Plate	7.84
DP28SN9	Magnetic Plate w/ nail	10.65/C

Overlay Drilling Pattern

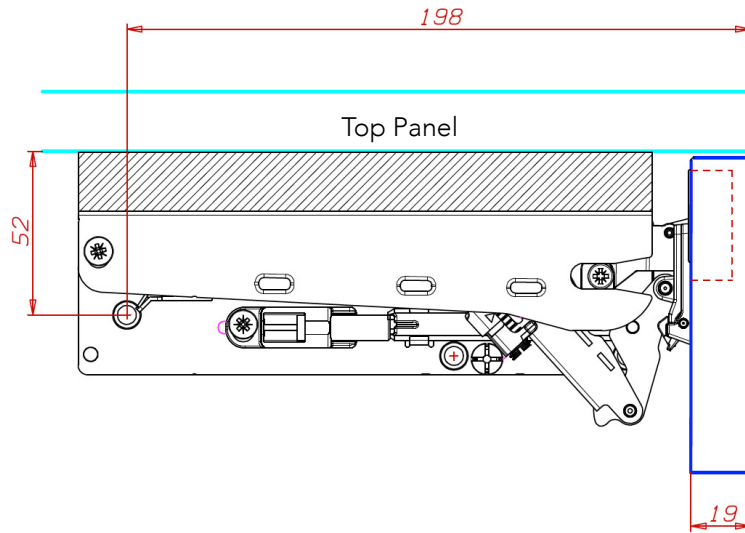


Space needed to open the door

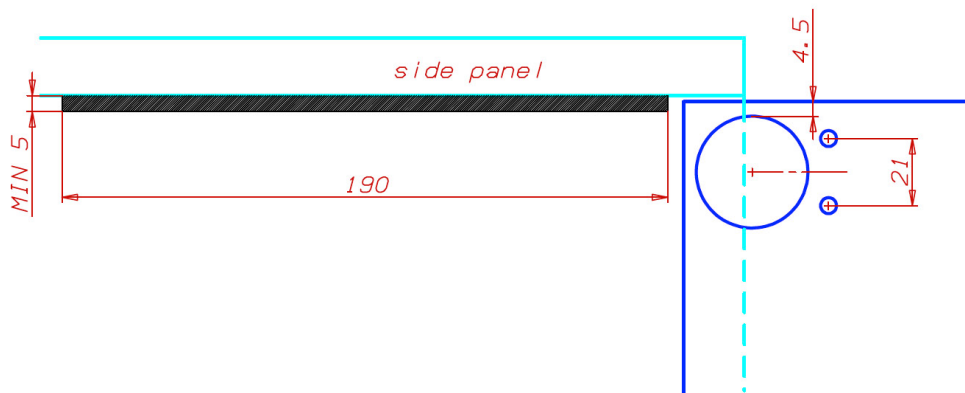


For Inset Installation

Side View

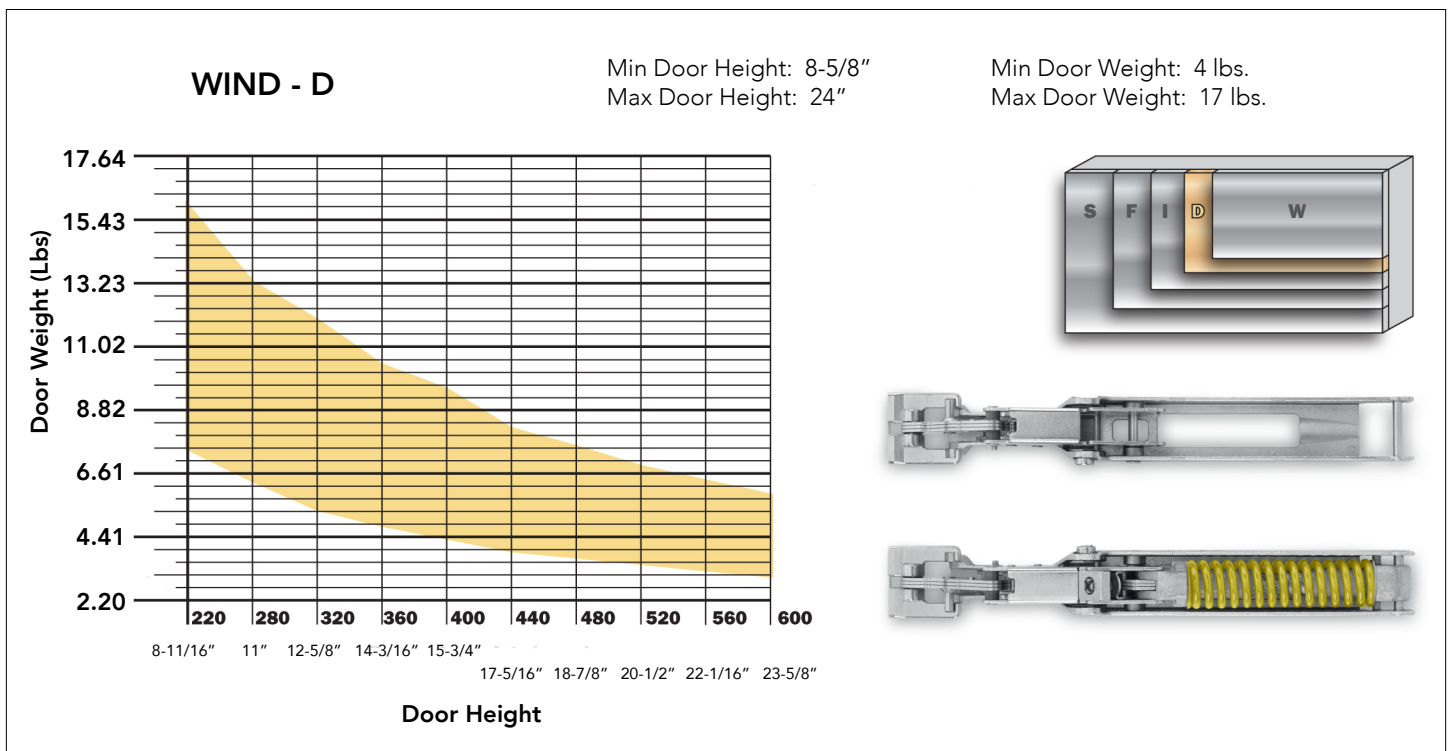
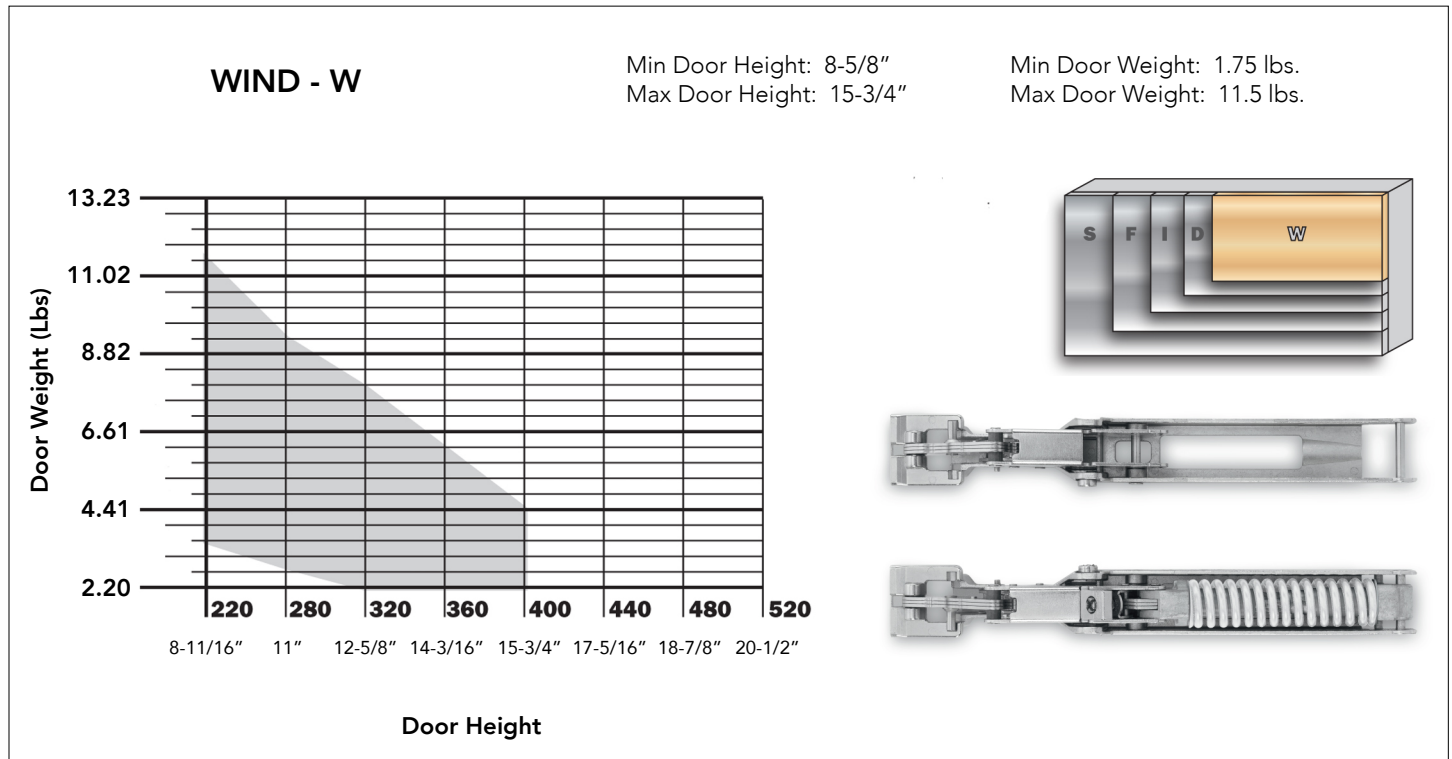


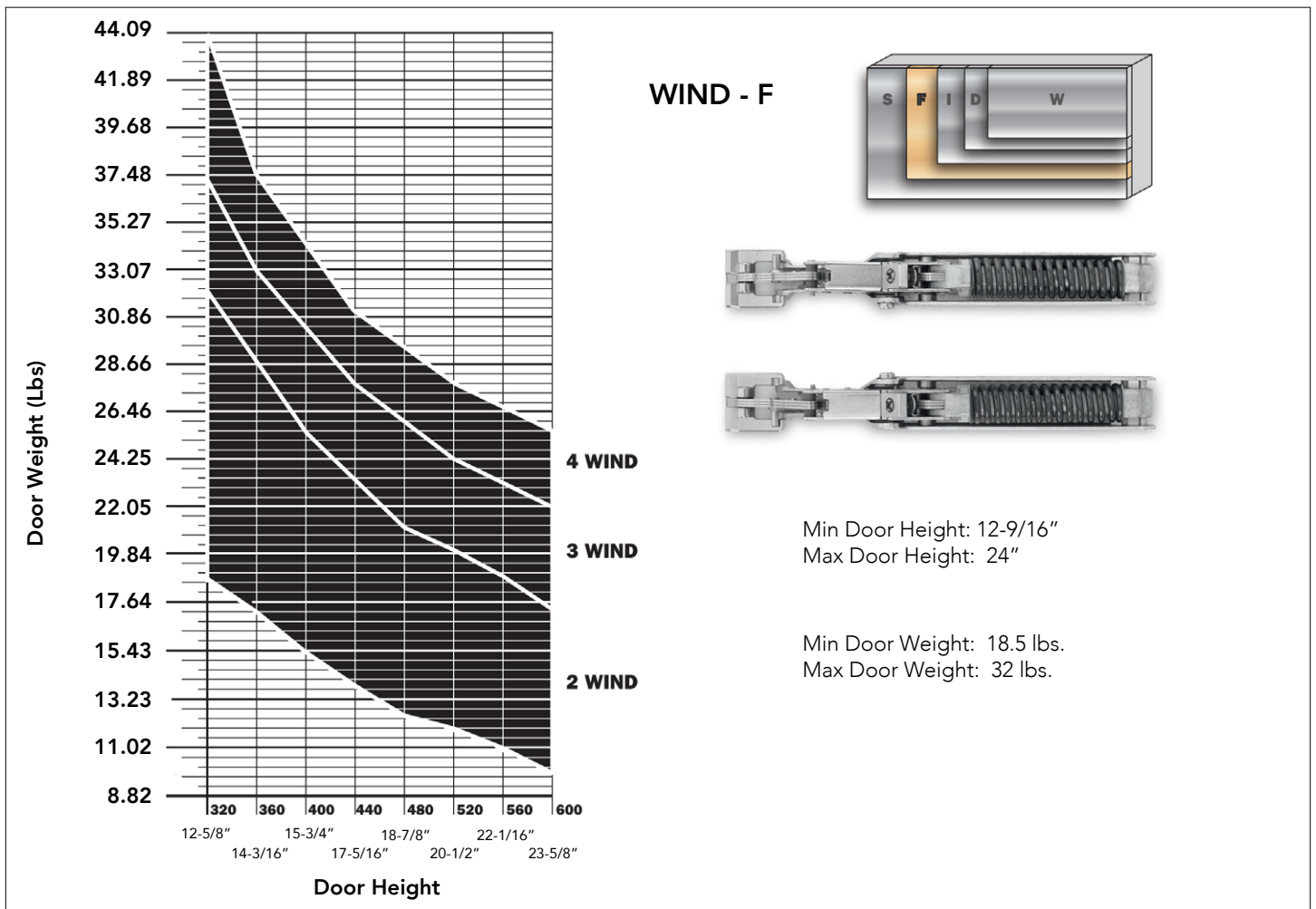
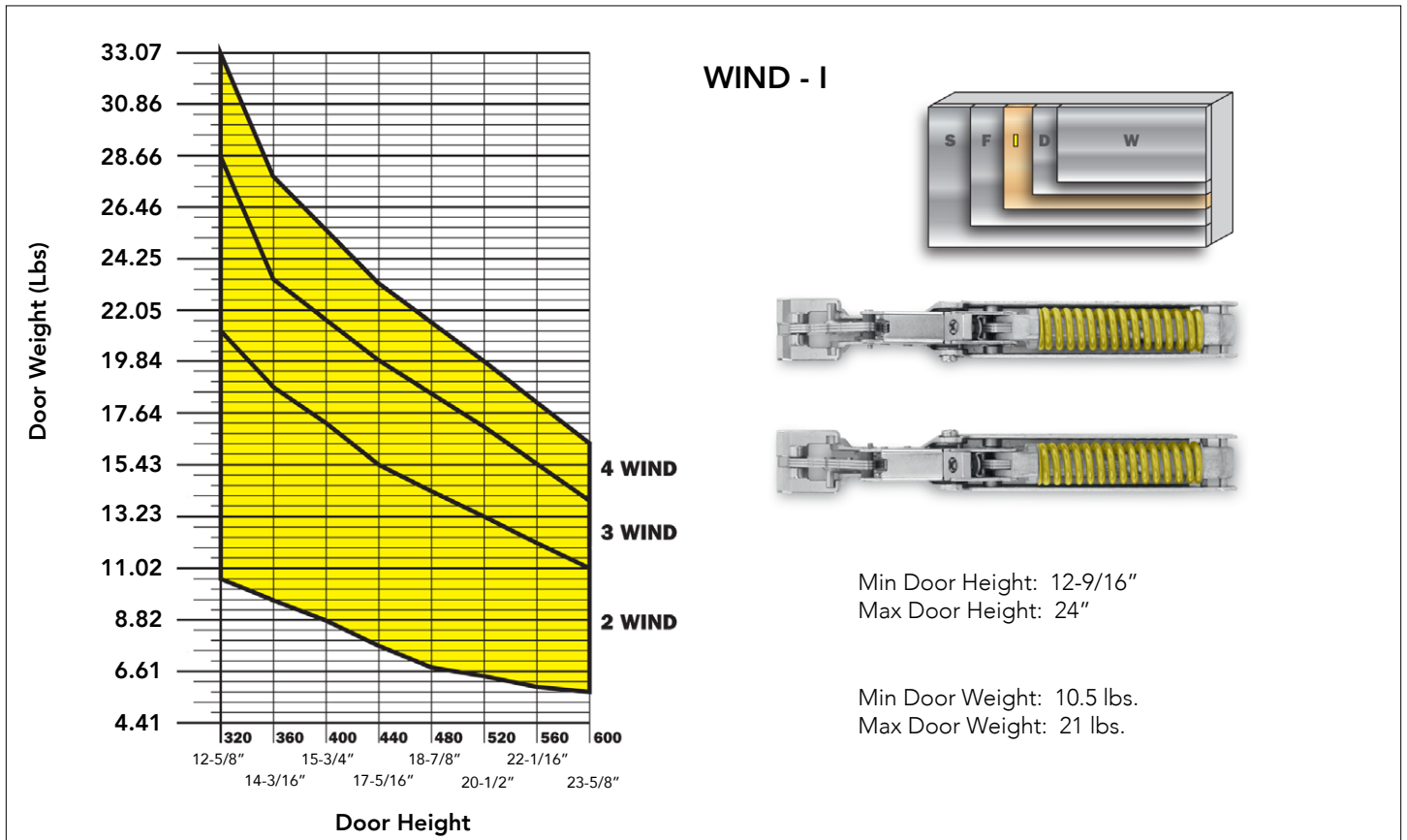
Top View



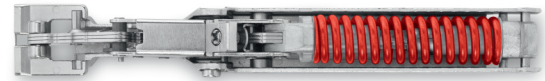
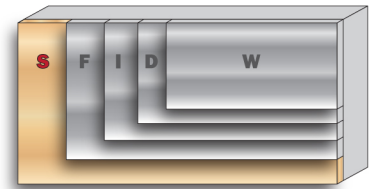
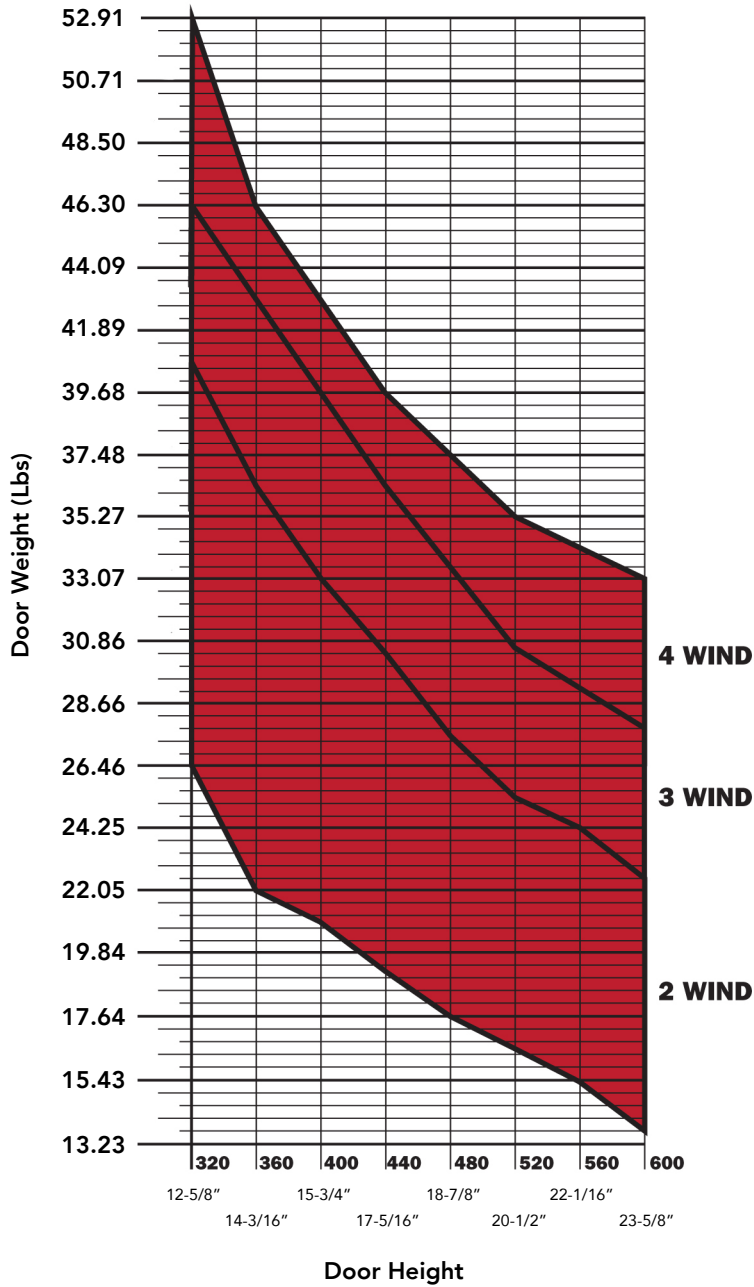
Charts and Spring force identification for Wind Kits

Use charts to determine the correct lift mechanism based on the door height and weight. When calculating the door weight you must include the weight of the decorative hardware. The maximum door width for two Wind lifts is 48" (1200mm). Note: Wind can be used on doors that are larger or heavier by adding additional Wind lifts to the cabinet and door. This can be done by installing a center partition and adding additional Wind lifts or by utilizing the Top Mount Brackets with additional Wind lifts.





WIND - S



Min Door Height: 12-9/16"
Max Door Height: 24"

Min Door Weight: 26 lbs.
Max Door Weight: 41 lbs.