



Sales Bulletin
July 2018

L-Shaped Hybrid Brackets



Features

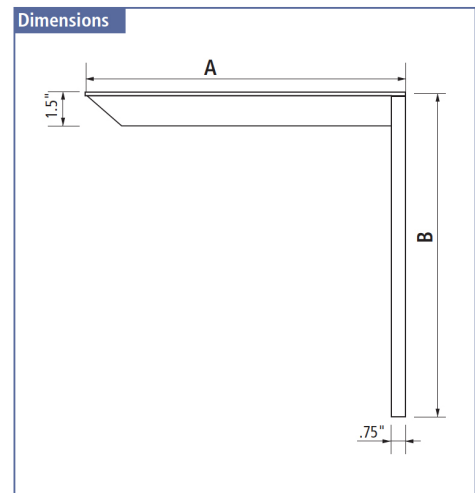
- Surface mount or concealed mounting for floating shelf appearance
- Available with 12, 18, and 24" support arms
- Black powder coated finish
- Non-handed

Applications

- Counter tops
- Work surfaces
- Shelving (floating)
- ADA access
- Training rooms
- Benches

- Vertical tubular arm:
1-1/2" (width) x 3/4" (thickness)
- Horizontal arm (T-shape):
1-1/2" x 1-1/2"

- Multiple mounting holes on support arm and vertical tube
- Plastic finishing caps included for surface mounting
- Mounting hardware not included



Plastic finishing caps in matching color to conceal the bottom of tube (2) and the mounting screw holes (1) are included.



Concealed applications require ripping a 2" x 4" lengthwise, and mounting it (2) to the side of a standard 2" x 4" (1) stud.

Black Hybrid Brackets / 2 per Carton, sold per each.

Code	(A)	(B)	Load Cap (pair)	List		
	Support Arm	Height		1	2	10+
HYB-12BL	12"	12"	2050 lbs.	\$ 44	\$ 39	\$ 35
HYB-18BL	18"	18"	1780	55	49	44
HYB-24BL	24"	24"	1360	65	59	53