



DRAWER SLIDE COMPARISON CHART

<u>Manufacturer</u>	<u>Part No.</u>	<u>Page</u>	<u>Clearance</u>	<u>Mfg. Rated Load Cap.</u>	<u>Extension</u>
Side Mount 3/4" Extension					
KV	1260	1503	1/2"	60 lbs.	less 4"
KV	1300	1503	1/2"	75 lbs.	less 4"
Side Mount Full Extension					
Fulterer	5036	1504	1/2"	75 lbs.	Full
Enterprise	K45	1505	1/2"	75 lbs.	Full
Enterprise	X45	1505	1/2"	100 lbs.	Full
KV	8400 / 8417	1506	1/2"	100 lbs.	Full
KV	8405	1506	1/2"	100 lbs.	Full + 1"
KV	8409	1509	1/2"	100 lbs.	Full
KV	8450 - Soft Close	1510	1/2"	100 lbs.	Full
Fulterer	5000 / 5000SC	1507	1/2"	100 lbs.	Full
Fulterer	5000OT - Overtravel	1507	1/2"	100 lbs.	Full + 1"
Fulterer	5043	1508	1/2"	100 lbs.	Full
Fulterer	5001ECD - Soft Close	1510	1/2"	100 lbs.	Full
Fulterer	5000L - Lock Out	1508	1/2"	100 lbs.	Full
Sugatsune	ESR - Stainless Steel	1509	1/2"	100 lbs.	Full
KV G-Slide	4270	1511	1/2"	100 lbs.	Full
KV G-Slide	4260 - Push	1511	9/16"	100 lbs.	Full
KV	6505	1512	1/2"	125 lbs.	Full + 1"
Hettich	4932	1513	1/2"	130 lbs.	Full + 1-1/2"
KV	8500	1515	1/2"	150 lbs.	Full
KV	8505	1515	1/2"	150 lbs.	Full + 1-1/2"
Fulterer	5755	1514	1/2"	150 lbs.	Full + 1-1/4"
KV	8520	1516	1/2"	175 lbs.	Full
KV	8525	1516	1/2"	175 lbs.	Full + 1-1/2"
Fulterer	5210 / 5210ECD - Soft Close	1518	1/2"	200 lbs.	Full + 1"
KV	8800	1517	3/4"	200 lbs.	Full
KV	8805	1517	3/4"	200 lbs.	Full + 1"
Hettich	3320	1519	3/4"	280-500 lbs.	Full
Undermount Concealed Slides					
Houck 500	522	1503	7/16"	50 lbs.	3/4"
Salice	A7555 - Soft Close	1539-40		75 lbs.	Full
Salice	A7557 - Push	1546		75 lbs.	Full
Enterprise	CS2 - Soft Close	1538		75 lbs.	Full
King	1A68F - Soft Close	1545		75 lbs.	Full
King	1A88F - Push / Soft Close	1547		75 lbs.	Full
Hettich	Quadro - Soft Close	1533-36		100 lbs.	Full
Hettich	Quadro - 4D Soft Close	1537		100 lbs.	Full
Hettich	Quadro - Push-to-Open	1548		66 lbs.	Full
Grass	7102 - Soft Close	1537		100 lbs.	Full
Grass	DynaPro	1541-44		100 lbs.	Full
Grass	DynaPro Heavy Duty	1541-44		132 lbs.	Full



DRAWER SLIDE COMPARISON CHART

<u>Manufacturer</u>	<u>Part No.</u>	<u>Page</u>	<u>Clearance</u>	<u>Mfg. Rated Load Cap.</u>	<u>Extension</u>
Monorail / Center Mount					
Fulterer	5090	1549		50 lbs.	3/4
KV	1175	1549		50 lbs.	
European / Epoxy Enamel White					
KV	1284	1522	1/2"	75 lbs.	less 4"
KV	1805	1522	1/2"	75 lbs.	less 4"
Fulterer	FR1921	1521	1/2"	75 lbs.	less 4"
Enterprise	9200	1523	1/2"	75 lbs.	less 4"
Grass	1702	1523	1/2"	100 lbs.	less 4"
Grass	5300	1524	1/2"	150 lbs.	Full
Fulterer	FR6500	1524	1/2"	150 lbs.	Full
Top Mount / Center Drawers			Description		
Fulterer	5162	1504	Pencil Tray Slide	75 lbs.	less 5-1/2"
Fulterer	5060	1551	Keyboard Slide	75 lbs.	less 5-1/2"
KV	8150	1551	Keyboard Slide	75 lbs.	less 5-1/2"
KV/Waterloo	4461D	1551	Keyboard Slide	75 lbs.	less 5-1/2"
Specialty Slides / Arms / Lifts					
KV	8071/8072	8080/8081	1563-66	Flipper Slides	30 lbs.
KV	8091/8092		1567-70	Flipper Slides	75 lbs.
Weber	14915-2		1553	Keyboard Mini-Arm	17-3/4"
Weber	22805		1553	Keyboard Arm	17-3/4"
KV/Waterloo	6000 Series		1552	Keyboard Arm	
Workrite	180 Series		1554	Keyboard Platform	
KV	Key Series		1556	Keyboard Arm/Platform	
KV	5710		1557	Keyboard Tray	75 lbs. 3/4
Fulterer	FR1601		1557	Keyboard Tray/Slide	75 lbs.
KV	KD1000 / KD1020		1558	Keyboard System	75/100 lbs.
KV/Waterloo	7351D		1559	CPU Holder	85 lbs.
Vogt	BB Slide		1550	Bread Board Slide	
Houck	BB Slide		1550	Bread Board Slide	30 lbs. 3/4
Hafele	504.24.701		1578	Lift-Up Shelf	33 lbs.
Rev-A-Shelf	RAS-ML-HDCR/SC		1577	Appliance Lift	60 lbs.
Lift	3275		1577	Appliance Lift	66 lbs.
Fulterer	5000L		1508	Lock-Out	100 lbs. Full
KV	8407		1562	Pull-Out Shelf Slide	100 lbs. Full
KV	8000		1561	Pantry Slide	130 lbs.
Fulterer	FR771 / FR777		1560	Pantry Slide	275 / 450 Full
Drawer Systems					
Grass	Zargen 6036, 6100		1529-30	5/8"	100 lbs. less 4"
Grass	9000 Integra		1525-26	-	100 lbs. less 4"
Grass	Nova Pro		1527	-	100 lbs. Full
Indaux	Ariane		1528		110 lbs. Full

Hole Patterns for Drawer Slides 1579 - 1593



DRAWER SLIDE CROSS REFERENCE CHART

Side Mount

Description	KV #	Fulterer #	Other	Accuride
Pencil Drawer, 3/4 Ext, 75 lbs.	8250*	5162		2006
Box Drawer, 3/4 Ext, 75 lbs.	8300			2037
Low Profile, Full Ext, 75 lbs.	4400*	5036		2632, 3732
Full Ext, 100 lbs.	8400	5000		3832
Full Ext, 100 lbs, Value	TT100B*	5043	X45 (Ent)	4500 "Bee"
Full Ext, 80 lbs, Value	DU45B*		K45 (Ent)	Eco-Slide
Over-Travel, 100 lbs.	8405	5000OT		3833
Self-Closing, 100 lbs.	8417	5000SC		3832SC
Soft-Closing, 100 lbs.	8450, GS4270	5001ECD		3832EC
Push, Full Ext, 100 lbs.	8430*, GS4260			3832TR
Top Rail, OT, 125 lbs.	6505			3017 (100 lb)
Over-Travel, 130 lbs.			4932 (Hettich)	7434
File Drawer, 150 lbs.	8500			4032
File Drawer, OT, 150 lbs.	8505	5755		4034
File Drawer, Prog, 175 lbs.	8520 (Full Ext) 8525 (OT)			4437
Heavy Duty, 200 lbs, 1/2"		5210, 5210ECD (Soft Close)		7957 (3/4")
Heavy Duty, Full Ext, 200 lbs.	8800			3600 (3/4")
Heavy Duty, OT, 200 lbs.	8805			3640 (7/8")
Heavy Duty, up to 500 lbs.	8900*		3320 (Hettich)	9301 (3/4")
Keyboard	8150	5060		2109
Keyboard	KD1000			Ergo 200
Keyboard	KD1020			Ergo 300
TV Swivel	1388			3620-258N
Pantry	8000			301-2590
Pull-out Shelf	8407			322D
Flipper	8072/8080			123
Flipper	8071/8081			1234
Flipper	8092			1332
Flipper	8091			1432
Monorail, 50 lbs. (centermount)	1129*	5090		1029

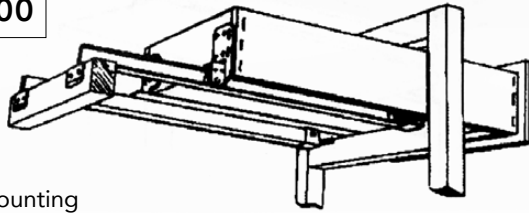
* Nonstock

3/4 EXTENSION DRAWER SLIDES

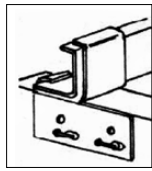
HOUCK GO-EZ 500 SERIES SLIDE

3/4 Extension, Bottom Mount, Load Capacity: 50 lbs.

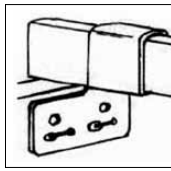
Houck 500



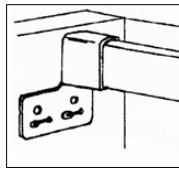
Metal Rear Mounting
Bracket Options



Rear of Rail



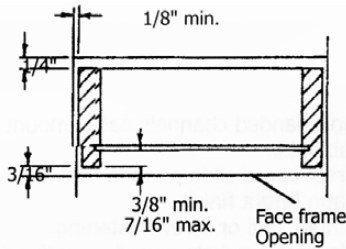
Front of Rail



Directly to Strongback

Drawer Clearance

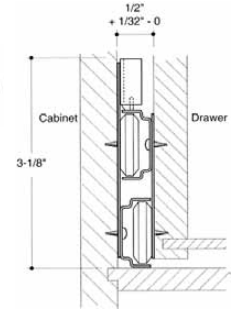
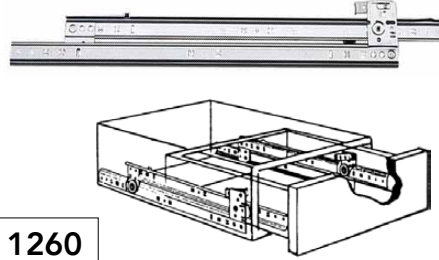
Combined total clearance
between drawer side height
and cabinet opening is 7/16"
min.



Houck's 500 Series bottom mount provides maximum drawer width and balanced load support with 4-point suspension. The captive channel track reduces side play. Polypropylene wheel provides silent drawer action. The standard metal rear bracket applies three different ways (as pictured). Bright Satin finish.

KV 1260 SIDE MOUNT SLIDE

3/4 Extension, Load Capacity: 60 lbs.



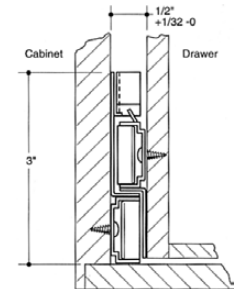
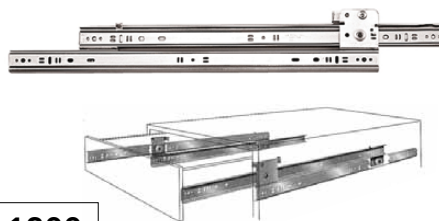
1260

Side Mount Ball-Bearing Slide. Mounts with pan head screws. Load Cap: 60 lbs/pr. Height: 3-1/8". Extension: 3/4. Side Clearance: 1/2", plus 1/32" minus 0 each side. With positive stop and fingertip release. For kitchen cabinets, furniture. 10 pr/ctn. with screws.

Code	14"	16"	20"
1260B-	\$ 6.66	7.17	8.21

KV 1300 SIDE MOUNT SLIDE

3/4 Extension, Load Capacity: 75 lbs.



1300

Side Mount Ball-Bearing, nylon rollers throughout. Mounts with pan head screws. Load Cap: 75 lbs/pr. Height: 3". Extension: 3/4. Side Clearance: 1/2". Positive stop, lift out drawer removal, dust shield to protect ball-bearings. Unique scale built into slide that gives the option of traditional mounting or self-closing installation. Mounts with pan head screws.

Polybagged: 1 pr/Ctn. with screws

Code	12"	14"	16"	18"	20"
1300P-	\$ 12.51	13.30	14.30	14.12	15.31
	22"	24"	26"	28"	
	17.77	16.46	17.28	17.32	

Bulk: 10 pr/Ctn. with screws

Code	22"
1300B-	\$ 13.12

15 Pack: 20 sets

Code	Drawer Track x Cabinet Track	List/st
522P	22" x 22-1/2"	\$ 9.83

DRAWER SOCKET SCREWS

Truss head, sharp tipped, deep thread screw for rear drawer mounting sockets. Phillips drive.

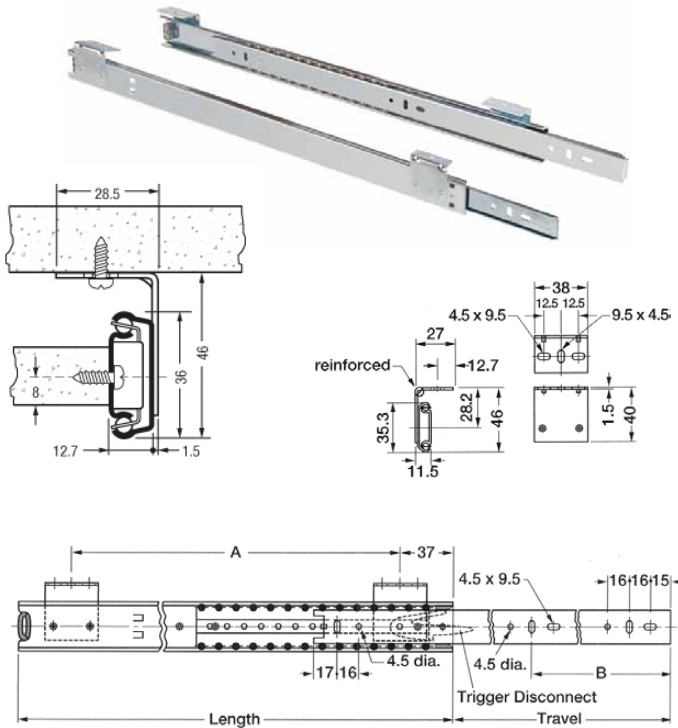


Code	Drive	Size	Ctn	List/M
6802	Phillips	#8-3/4"	10000	\$ 20.16
7892	Phillips	#8-5/8"	10000	23.91

SIDE MOUNT SLIDES

FULTERER 5162 PENCIL TRAY SLIDE

Load Capacity: 75 lbs, 3/4 Extension



- Simple top mounting with brackets welded to the slide
- Easy to operate disconnect trigger
- Hold-close detent
- Load capacity: 75 lbs.
- Cold rolled steel with steel ball-bearings
- Zinc Plated - Anochrome finish
- Suited for pencil trays, work surface extensions and/or to add a drawer

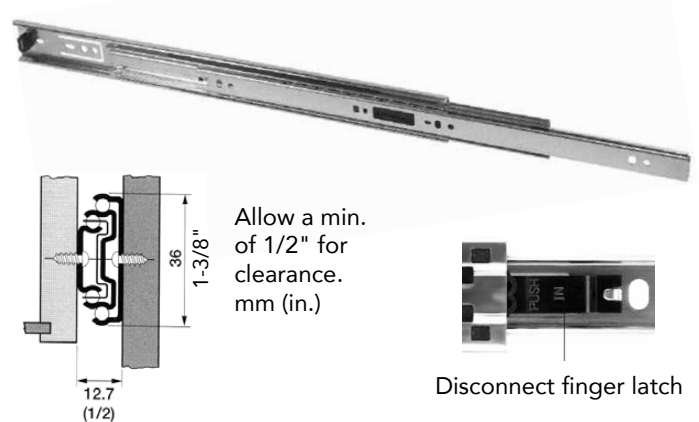
Plastic Sleeve Pack: 20 pr. per carton. No Screws.

Code	Size	Travel	List
5162-14	14"	10"	\$ 17.68
5162-16	16"	12"	18.69
5162-18	18"	13.5"	18.37
5162-20	20"	15"	19.11
5162-22	22"	16.5"	19.11

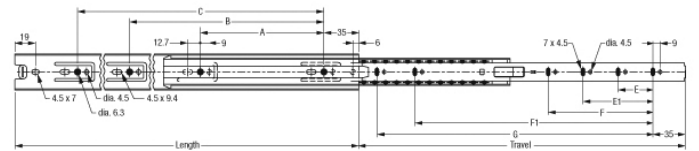
Note: has 75 lb. rating, lever disconnect and lower cost vs. 2006 45 lb. rating and friction disconnect.

FULTERER 5036 LOW PROFILE

Load Cap: 75 lbs, Full Extension, 1-3/8" High



Height: 1-3/8"
Clearance: 1/2" + 1/32" - 0



- **Face Frame Screw Hole**, no front bracket needed
- Trigger Finger Release
- Precision steel ball-bearing drawer slide, medium-duty for office and residential, made of cold rolled steel. Zinc Chromate finish.
- System 32 compatible hole locations.
- Drawer slide is non-handed, and has a hold-close detent.
- Load Capacity: 75 lbs.
- Self-Closing option

Polybagged, 10pr/Ctn No Screws.

Code	10"	12"	14"	16"	18"
5036-	\$ 10.20	11.99	12.74	13.44	13.87
	<u>20"</u>	<u>22"</u>	<u>24"</u>	<u>26"</u>	<u>28"</u>
	14.86	16.79	16.98	18.80	16.76

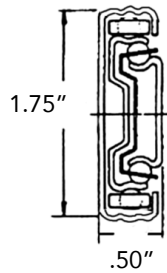
FULL EXTENSION SLIDES

ENTERPRISE K45 FULL EXTENSION SLIDES

Steel Ball-bearing, Load Cap: 75 lbs.



K45



Travel: Full extension
Side Space: 1/2"
Load Cap: 75 lbs.
Height: 1.75"
Disconnect: Trigger release lever
Finish: Clear Zinc Plate



K45-BR

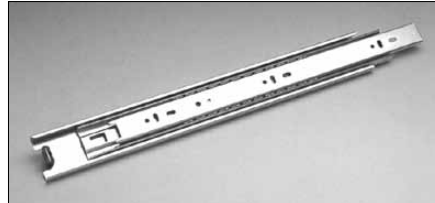
K45 bracket available. To tighten fit of slide to bracket use a standard #8 slide screw (#4460) or use pressure to narrow channel of bracket. Not for use with X45 slide.

Pack: 15 pr.

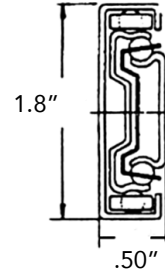
Code	Size	List/pr
K45-14	14"	\$ 4.46
K45-16	16"	5.10
K45-18	18"	5.73
K45-20	20"	6.37
K45-22	22"	7.01
K45-BR	Rear Mount Brkt	2.72

ENTERPRISE X45 FULL EXTENSION SLIDES

Steel Ball-bearing, Load Cap: 100 lbs.

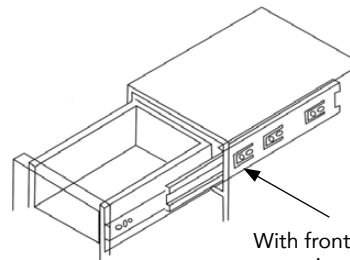


X45



ANSI/BHMA Grade 1
Travel: Full extension
Side Space: 1/2"
Height: 1.8"
Disconnect: Trigger release lever
Finish: Clear Zinc Plate

Dynamic Load: 90 lbs.
Static Load: 100 lbs.



With front face-frame mounting hole.

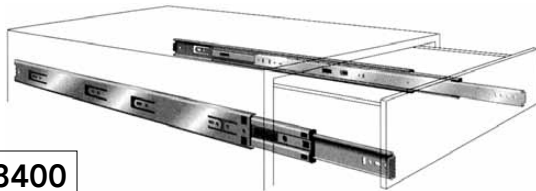
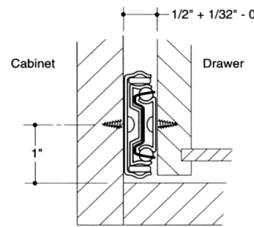
32mm hole pattern with face frame mounting hole. Can be mounted with #8 standard pan head or 6mm euro screws.

Bulk: 12 pr/Ctn. No Screws. Plastic Sleeve.

Code	Size	List/pr
X45-14	14"	\$ 6.44
X45-16	16"	7.23
X45-18	18"	9.10
X45-20	20"	9.46
X45-22	22"	10.45
X45-24	24"	11.61

FULL EXTENSION SLIDES

KV 8400 FULL EXTENSION SLIDE
Load Capacity: 100 lbs.



KV 8400

- Face Frame screw hole, no front bracket needed
- Non-handed release tabs (patented)
- Slides are degreased -
clean and dry to handle
Height: 1-13/16"
Clearance: 1/2" + 1/32" - 0
3/16" Height adjustment

The KV 8400 also features: Non-handed tab disconnect for drawer removal; 32mm hole pattern with direct access mounting; ball retainer latch and ramps for easy drawer insertion; drawer adjustment without removal; flexible mounting tabs self adjust to side clearance; polymer stop cushions; non-handed. WIC approved. Made in USA.

Available in Anochrome, White, and Black.
Overtravel (1") version (8405) is available in Anochrome and Black.
Self-Closing version (8417) is available in Anochrome.

MOUNTING BRACKETS

Brackets for the KV 8400/8405 slides. Snap-in action, can be secured with screws. 2-3/4" max. adjustment. Non-handed. Overall length: 3-1/2". Anochrome.



Code	Description	Ctn	List/ea
8403	Rear Bracket	20 ea.	\$ 1.85
8404	Front Bracket	20	1.03

8400 Anochrome, Bulk 10pr/Ctn. No Screws

Code	8"	10"	12"	14"	16"	18"
8400B-	\$ 17.84	17.31	17.64	18.80	18.80	19.51
	<u>20"</u>	<u>22"</u>	<u>24"</u>	<u>26"</u>	<u>28"</u>	
	20.15	20.84	21.53	22.30	23.23	

8400 Anochrome, Polybagged, 10pr/Ctn. With Screws

Code	8"	10"	12"	14"	16"	18"
8400P-	\$ 21.55	22.07	22.36	22.53	23.10	23.72
	<u>20"</u>	<u>22"</u>	<u>24"</u>	<u>26"</u>	<u>28"</u>	
	25.14	26.35	27.41	28.56	30.98	

8400 White, Bulk 10pr/Ctn. No Screws

Code	12"	14"	16"	18"	20"
8400BWH-	\$ 23.77	24.39	25.20	25.89	26.71
	<u>22"</u>	<u>24"</u>	<u>26"</u>	<u>28"</u>	
	27.66	28.43	9.35	30.26	

8400 Black, Bulk 10pr/Ctn. No Screws

Code	8"	10"	24"
8400BEB-	\$ 17.88	18.12	21.82

1" OVERTRAVEL - 8405

8405 Anochrome, Bulk 10pr/Ctn. No Screws

Code	10"	12"	14"	16"	18"
8405B-	\$ 17.31	17.57	19.13	18.76	19.46
	<u>20"</u>	<u>22"</u>			
	20.08	20.85			

8405 Black, Bulk 10pr/Ctn. No Screws

Code	10"
8405BEB-	\$ 18.12

SELF-CLOSING - 8417

8417 Anochrome, Bulk 10pr/Ctn. No Screws

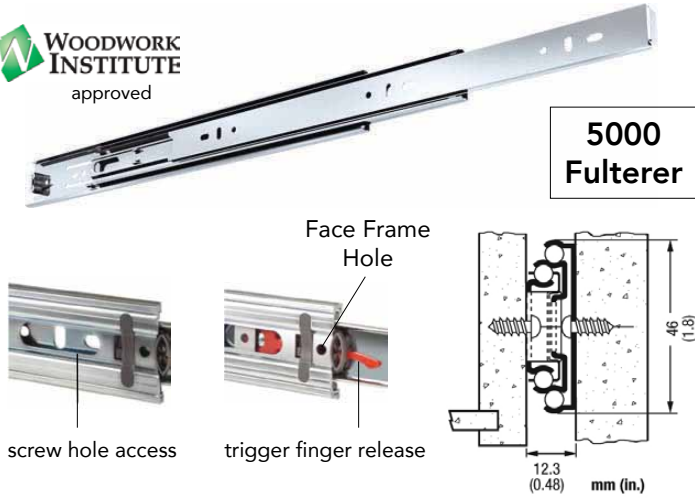
Code	12"	14"	16"	18"	20"
8417B-	\$ 19.33	19.54	20.50	21.21	21.85
	<u>22"</u>	<u>24"</u>	<u>26"</u>		
	22.58	23.32	24.14		

15

FULL EXTENSION SLIDES

FULTERER 5000 FULL EXTENSION SLIDE

Load Capacity: 100 lbs. Smooth & Quiet



5000 Fulterer

Height: 1-25/32"
Clearance: 1/2" + 1/32" - 0

1/2" is the actual size of the slide. Allow extra 1/32" for clearance if desired.

- Premium Build Quality
- Face Frame Screw Hole, no front bracket needed
- Trigger Finger Release
- Precision steel ball-bearing drawer slide, medium duty for office and residential, made of cold rolled steel. Zinc Chromate finish.
- System 32 compatible hole locations
- Non-handed, and has a hold-close detent
- WIC Approved at 100 lbs.

Overtravel (1") version 5000OT, and self-closing version 5000SC are available.

5000, ZINC, BULK 10pr./Ctn, No Screws

Code	6"	8"	10"	12"	14"	16"
5000-	\$ 12.95	13.04	14.73	17.79	14.93	15.36
	<u>18"</u>	<u>20"</u>	<u>22"</u>	<u>24"</u>	<u>26"</u>	<u>28"</u>
	16.03	16.10	16.18	16.49	18.40	20.97

5000B, BLACK, BULK 10pr./Ctn, No Screws

Code	10"	12"	14"	16"
5000B-	\$ 14.33	14.95	14.99	15.06
	<u>18"</u>	<u>20"</u>	<u>22"</u>	<u>24"</u>
	15.03	15.78	17.53	17.84

5000P, ZINC, Polybagged, 10pr./Ctn

With Screws and Instructions

Code	6"	8"	10"	12"	14"	16"
5000P-	\$ 10.98	14.14	15.44	15.29	15.39	15.64
	<u>18"</u>	<u>20"</u>	<u>22"</u>	<u>24"</u>	<u>26"</u>	<u>28"</u>
	15.95	17.57	19.27	18.47	18.91	19.96

5000OT, ZINC, BULK 10pr./Ctn, No Screws

1" Overtravel

Code	12"	14"	16"	18"
5000OT-	\$ 14.83	14.93	15.36	16.03
	<u>20"</u>	<u>22"</u>	<u>24"</u>	
	16.10	16.18	16.49	

5000SC ZINC, BULK 10pr./Ctn, No Screws

Self Closing

Code	16"	18"	20"	22"
5000SC-	\$ 16.11	\$ 14.83	17.19	18.51

15 REAR MOUNTING BRACKET

Rear bracket for the Fulterer 5000, 5000OT, and 5000SC Slides.
Max Adjustment = 2-1/8"
Overall Length = 3-1/2" Non-handed. Metal.



Code	Description	Ctn	List/pr
5000MET	Rear Bracket	150 prs.	\$ 1.58

BOTTOM MOUNT BRACKET

Bottom mount bracket for the Fulterer 5000. Slides. 11mm Height.

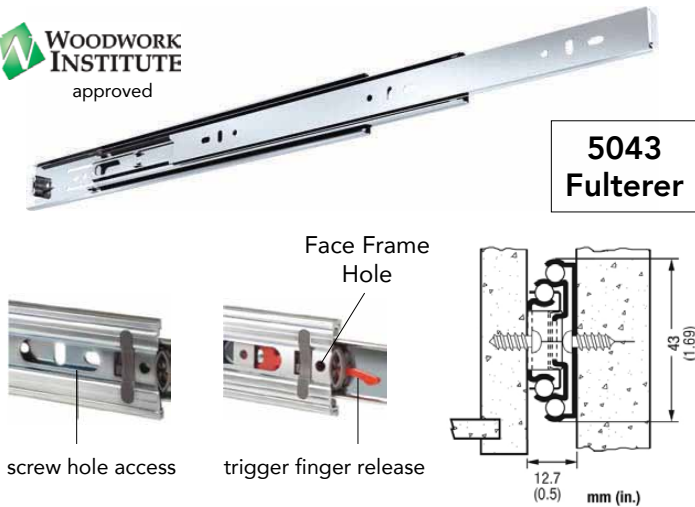


Code	Description	Ctn	List/ea
5000BMB	Bottom Mount Bracket	200 ea.	\$ 1.13

FULL EXTENSION SLIDES

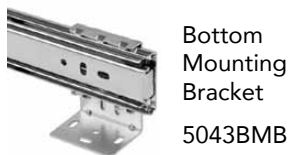
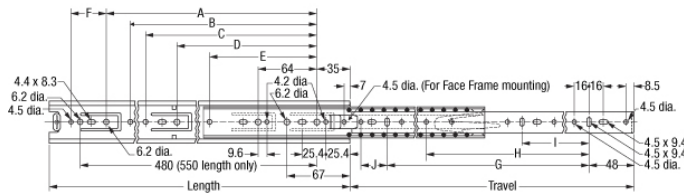
FULTERER 5043 FULL EXTENSION SLIDE

Load Capacity: 100 lbs.



**5043
Fulterer**

- Easy to operate disconnect finger release trigger
- System 32 compatible hole locations
- Slide is non-handed, and has a hold-close detent
- Load capacity: 100 lbs. WIC approved.



5043, ZINC, BULK 10pr./Ctn, No Screws

Code	10"	12"	14"	16"	18"
5043-	\$ 6.22	8.91	9.98	9.10	11.57
	20"	22"	24"	26"	28"
	13.47	14.52	16.34	15.13	16.38

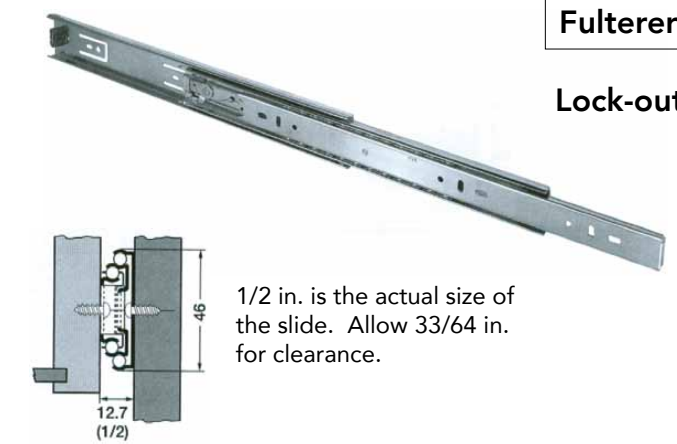
Code	Description	Ctn	List
5043.5	Rear Bracket	100 pr.	\$ 1.82/pr
5043BMB	Bottom Bracket	200 ea.	.99/ea

FULTERER 5000L LOCK-OUT SLIDE

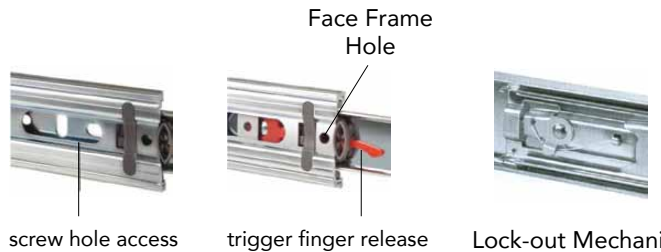
Full Extension, Load Capacity: 100 lbs.

**5000L
Fulterer**

Lock-out



1/2 in. is the actual size of the slide. Allow 33/64 in. for clearance.



Lock-out Mechanism: 8-10 lb pressure to retract from lock-out detent.

Height: 1.81"
Clearance: allow 33/64" for clearance

- Lock-out feature in extended position
- Friction disconnect of lock-out detent with 8-10 lbs of inward pressure
- 100 lb. Load rating
- Precision steel ball-bearing
- Face Frame hole
- Bright Zinc finish
- Finger trigger release
- System 32 compatible hole locations
- Non-handed, with hold-close detent

5000L, ZINC, BULK 10pr./Ctn, No Screws

Code	14"	16"	18"
5000L-	\$ 14.07	16.22	14.95
	20"	22"	24"
	15.17	19.17	20.17

FULL EXTENSION SLIDES

KV 8409 FACE FRAME SLIDE

Face Frame Version of KV 8400
Load Capacity: 100 lbs.



The 8409 has a flexible front bracket and includes the 8402 adjustable rear bracket. Load Capacity: 100 lbs. Height: 1-3/16", clearance: 1/2" + 1/32" - 0 Height Adjustment: 3/16". Full Extension. WIC Approved. Pack: 10 pr.

Code	18"	22"
8409B-	\$ 29.95	31.12

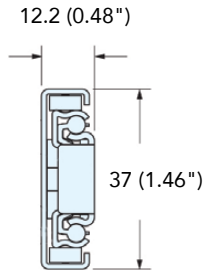
SUGATSUNE STAINLESS STEEL DRAWER SLIDE
Full Extension Slide

Load Cap: 75 lbs.

ESR3813
Stainless Steel



- Load capacity: 75 lbs approx.
- Full extension, 304 stainless steel slide
- Hold-in detent, non-handed
- Load Cap: 98 lbs (8") to 64 lbs (24")
- 32mm hole pattern, 37mm setback
- With face frame hole
- Mount with M4 or #8 Binding, Pan or Truss head screws
- Height 1.46", Side space: .48"



Stocking 4 sizes: 8", 16", 18", 20" Pack: 10 pr.

Code	8"	* 10"	* 12"	* 14"	16"
ESR3813-	\$ 12.94	15.20	18.10	21.90	24.97
	18"	20"	* 22"	* 24"	
	27.90	30.73	34.20	37.10	

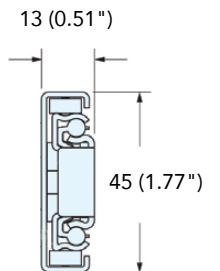
SUGATSUNE STAINLESS STEEL DRAWER SLIDE
Full Extension Slide

Load Cap: 100 lbs.

ESR4513
Stainless Steel



- Load capacity: 100 lbs approx.
- Full extension, 304 stainless steel slide
- Hold-in detent, non-handed
- Load Cap: 115 lbs (10") to 87 lbs (28")
- 32mm hole pattern, 37mm setback
- With face frame hole
- Mount with M4 or #8 Binding, Pan or Truss head screws
- Height 1.71", Side space: .51"



Stocking 4 sizes: 16", 18", 20", 22" Pack: 10 pr.

Code	* 10"	* 12"	* 14"	16"	18"
ESR4513-	\$ 26.20	31.00	36.00	41.25	46.10
	20"	22"	* 24"	* 26"	* 28"
	51.06	56.92	62.10	67.00	72.80

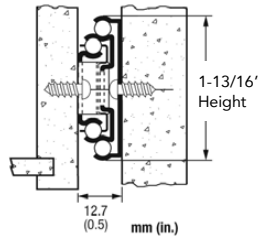
FULL EXTENSION SLIDES

KV 8450 SOFT CLOSE SLIDE

Load Capacity: 100 lbs.



**KV8450
Soft Close**



- 1/2" Side Clearance, no set-up change
- Full-Ext. 100 lb. Class rated for med-duty applications
- Non-handed design allows for easy, flexible installation in a cabinet shop
- Traditional and 32mm hole patterns allow for installation on framed and frameless cabinetry
- Three ball bearings per inch and polymer stop cushions aid with smooth quiet operation of the slide
- Push-in lever disconnect allows for easy drawer removal
- Ball retainer latch and ramps allow for easy drawer insertion

Specifications

mounting	Side mounting for frame and frameless construction		
clearance	1/2", plus 1/32" minus 0" each side		
height	1-13/16"		
finish	Anochrome, Ebony Black		
action	Progressive, telescopic movement on precision steel ball bearings		
accessories	8403 Rear Mounting Bracket	List 1.78/ea.	
	Non-handed snap-on design, 2-3/4" max adjustment		
	8404 Front Bracket	List .93/ea.	
	Non-handed snap-on design; fits all KV8400 series products		

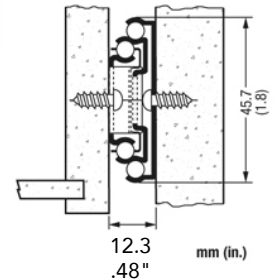
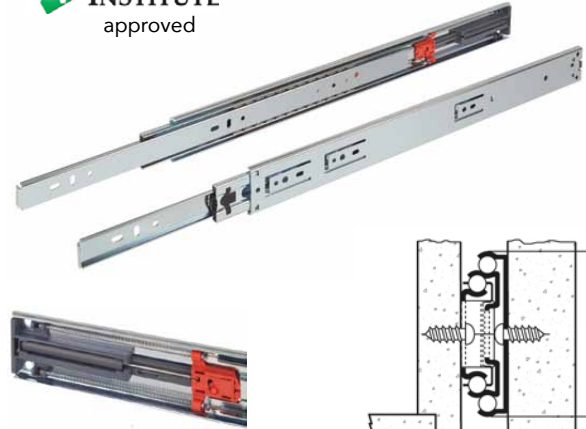
Size	Polybagged	Bulk	Black
	8450P	8450B	8450BEB
12"	\$ 35.00	\$ 27.31	-
14"	35.00	27.31	-
16"	35.00	27.31	28.78
18"	35.26	27.95	29.05
20"	35.71	28.06	29.44
22"	36.08	28.47	29.91
24"	36.41	28.79	-
26"	36.92	29.17	-
28"	33.33	29.44	-

FULTERER 5001ECD SOFT-CLOSE SLIDE

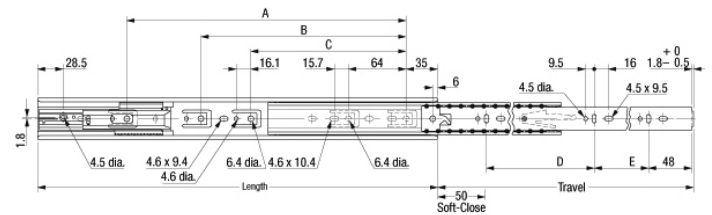
Full Extension, Load Capacity: 100 lbs.



**5001ECD
Soft Close**



ECD mechanism provides self-closing and impact absorbing soft-close feature



- 1/2" Side Clearance
- Soft-Close, Full-extension ball-bearing slide, Load Cap: 100 lbs.
- Drawer profile features an easy to operate disconnect finger release trigger
- System 32 compatible hole locations
- Non-handed
- New ECD Easy Close Device mechanism provides self-closing and impact absorbing soft-close feature
- Can be used with 5000MET rear bracket and 5000BMB Bottom Mount Bracket



Bottom Mounting Bracket
5000BMB
List \$ 1.13/ea.



Rear Mounting Bracket
5000MET
List \$ 1.58/pr.

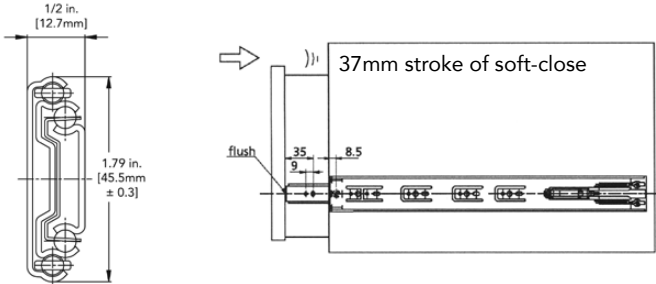
5001ECD Anochrome, 10pr/Ctn.

Code	12"	14"	16"	18"
5001ECD-	\$ 20.26	21.02	22.08	23.25
	20"	22"	24"	28"
	24.68	25.95	28.04	29.59

FULL EXTENSION SLIDES

G-SLIDE - SLIDE WITH SOFT CLOSE

GS4270: Full Extension, Ball-Bearing, Load Cap: 100 lbs.



**GS4270
Soft-Close**

Features:

- Soft-Close function is built-in, easy side mount installation
- 1.18" (30mm) stroke of soft-close with piston
- Non-handed disconnect release
- Electro-Zinc plated with clear chromate
- 13mm side spacing
- Screw mounting system 32mm compatible
- 6 lbs. pull force to open
- 100 lbs. Load Rating per pair at 22" length
- WIC Approved

Pack: 10 pr./box

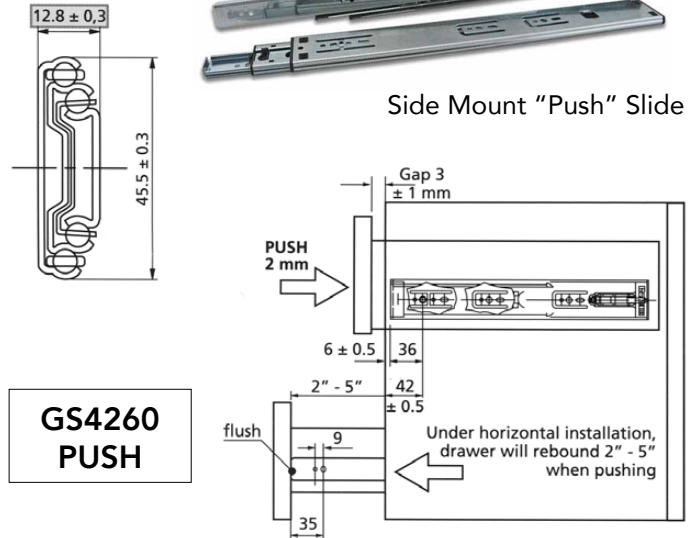
Code	Slide Length	Slide Travel	List/pr
GS4270-12	300	8.39"	\$ 17.99
GS4270-14	350	11.93"	18.35
GS4270-16	400	15.90"	18.94
GS4270-18	450	17.91"	19.94
GS4270-20	500	19.88"	21.22
GS4270-22	550	21.85"	22.47
GS4270-24	600	23.82"	23.89
GS4270-26	650	25.79"	27.42
GS4270-28	700	27.76"	26.41

G-SLIDE - SLIDE WITH "PUSH" OPEN FEATURE

GS4260: Full Extension, Ball-Bearing, Load Cap: 100 lbs.



Side Mount "Push" Slide



**GS4260
PUSH**

Features:

- Push-Rebound to open, easy side mount installation
- Rebound 2" - 5" when drawer is pushed
- Full-Extension, Ball-bearing
- Non-handed disconnect release
- Electro-Zinc plated with clear chromate.
- Only 2mm required to fully push in for opening or closing
- 9/16" (13mm) side spacing
- 100 lb. Load Rating per pair at 22" length

Pack: 10 pr./box

Code	Length	List/pr
GS4260-10	254	\$ 14.77
GS4260-12	300	15.54
GS4260-14	350	17.50
GS4260-16	400	16.65
GS4260-18	450	17.78
GS4260-20	500	18.69
GS4260-22	550	18.29
GS4260-24	600	21.22
GS4260-26	650	22.47
GS4260-28	700	22.97

FULL EXTENSION DRAWER SLIDES

KV 6505 OVER-TRAVEL SLIDE

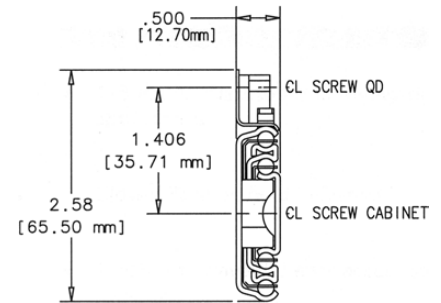
with Quick Disconnect Rails

Load Capacity: 125 lbs.



Rail Mount

6505
125 lbs.



6505 Over-Travel Drawer Slide with QD Rail

Specifications

Mounting	Side Mounting
Clearance	.50"
Load Rating	125 Pound Class
Height	2.58" (includes QD Rail)
Finish	Zinc-Plated
Travel	1" Over-Travel
Action	Telescopic
Additional Features	<ul style="list-style-type: none"> • 32 mm Mounting Hole Pattern • 1" over-travel allows for easy access to drawer contents • Closed position hold-in detent • WIC Approved
Hardware	#8 x 7/16" Wood Screw with #6 Truss Head

Bulk Pack: 5pr./Ctn. No Screws

<u>Code</u>	<u>12"</u>	<u>14"</u>	<u>16"</u>	<u>18"</u>	<u>20"</u>
6505B-	\$ 21.71	22.16	24.07	24.86	26.16
	<u>22"</u>	<u>24"</u>	<u>26"</u>	<u>28"</u>	
	27.19	28.21	31.58	34.87	

15

FULL EXTENSION SLIDES

HETTICH 4932 FULL EXT OVERTRAVEL SLIDE

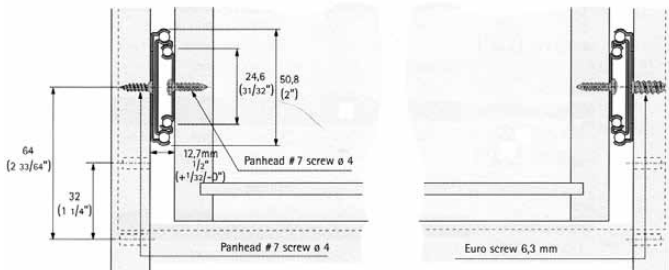
Load Capacity: 130 lbs.



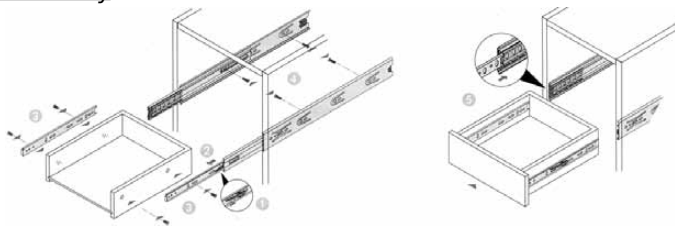
Height: 2"
Side Space: 1/2"
Finish: Zinc Chromate
Load: 130 lbs.

4932
130 Lbs.

- Face Frame Mounting Hole
- Full Extension with 1-1/2" overtravel
- Quiet cushioned in stops and positive hold-in detent
- Lever disconnect
- Smooth action
- Strong lateral stability for wider drawers.
- WIC Approved



15 Assembly



Bulk Pack: 10 pr/Ctn. with screws

Code	10"	12"	14"	16"	18"
4932-	\$ 11.69	16.53	16.68	18.12	19.32
	20"	22"	24"	26"	
	20.64	22.56	23.80	24.20	

HEAVY DUTY

FULL EXTENSION DRAWER SLIDES

FULTERER 5755

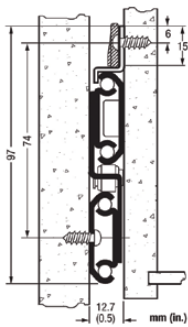
Full Extension with 1-1/4" Overtravel
Load Capacity: 150 lbs. Progressive action



5755
150 lbs.



Rail Mount



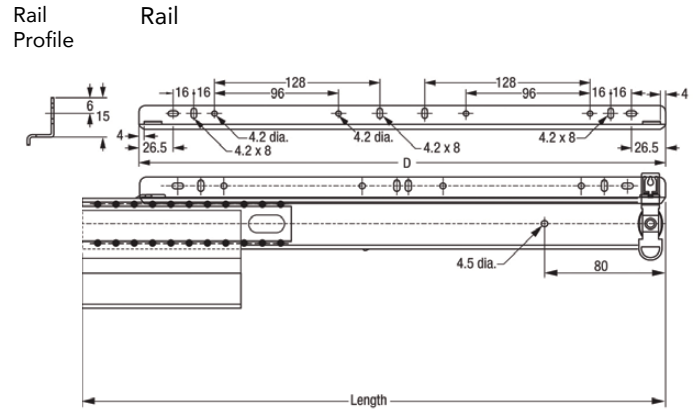
- Easy lift-off drawer rail mount
- Progressive action
- 1-1/4" Overtravel
- Hold-in detent
- Cold rolled steel with steel ball-bearings
- Load Cap: 150 lbs. Dynamic
- Zinc Plated & Chromated
- Hole Pattern: 32mm and traditional
- WIC Approved

Allow a minimum of 1/2 in. for clearance

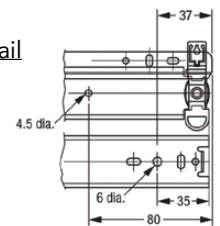
Pack: 10 pr/Ctn.

Size	Bulk 5755	Poly, No Screws 5755P	Poly, w/ Screws 5755PS
12"	-	\$ 28.50	\$ 27.16
14"	-	29.45	28.94
16"	26.67	30.63	29.39
18"	-	32.44	30.47
20"	30.28	32.44	31.93
22"	-	33.37	33.53
24"	-	37.86	36.52
26"	-	41.26	38.29
28"	-	43.24	40.37

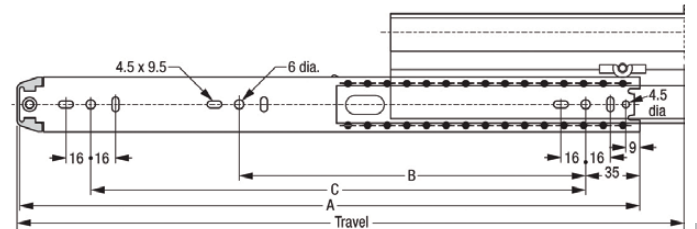
Specifications for 5755



Front Detail



Cabinet Member



Slide Length (A)	Travel	B	C	D
inches / mm	mm	mm	mm	mm
12 / 299	327	224	-	265
14 / 350	378	160	256	315
16 / 401	429	224	320	365
18 / 452	480	224	384	415
20 / 503	531	224	416	465
22 / 552	578	288	480	495
24 / 604	630	288	512	495
26 / 655	681	320	576	495
28 / 706	732	320	608	495

15

FULL EXTENSION DRAWER SLIDES

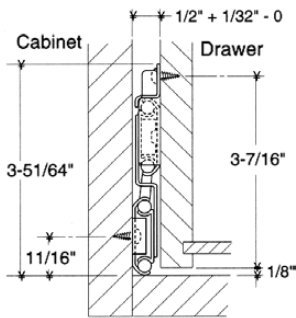
HEAVY DUTY

KV 8500/8505 FILE DRAWER SLIDE

Full Extension, Progressive Action, Overtravel, Load Capacity: 150 lbs.



**8500
8505
150 lbs.**



Mounting: Side
Height: 3-51/64"
Clearance: 1/2" + 1/32" - 0
Load Cap: 150 lbs.
Finish: Anochrome
Action: Progressive action on steel ball-bearings

32mm hole pattern for system mounting. Factory-attached drawer release clips with non-handed quick disconnect drawer members. Hold-in feature to prevent bounce back. Positive in/out stops, metal ball retainer holds 3 bearings per inch of race for smooth and quiet motion. WIC Approved. Made in USA.

- 8500 Full Extension Drawer Slide (max 36" drawer width)
- 8505 1-1/2" Overtravel Drawer Slide (max 30" drawer width)

8500 FULL EXTENSION SLIDES

8500P Anochrome Polybag, 5pr/Ctn. With Screws

Code	12"	14"	16"	18"	20"
8500P-	\$ 37.33	39.30	40.88	44.03	45.24
	<u>22"</u>	<u>24"</u>	<u>26"</u>	<u>28"</u>	<u>30"</u>
	45.93	49.57	53.33	57.57	62.19

8500B Anochrome Bulk, 5pr/Ctn. No Screws

Code	12"	14"	16"	18"	20"
8500B-	\$ 35.41	36.02	37.31	38.97	41.21
	<u>22"</u>	<u>24"</u>	<u>26"</u>	<u>28"</u>	
	43.78	47.43	51.21	57.77	

8505 OVERTRAVEL SLIDES

8505P 1-1/2" OT, Anochr, Poly, 5pr/Ctn. With Screws

Code	12"	14"	16"	18"	20"
8505P-	\$ 37.34	38.08	40.88	41.08	43.31
	<u>22"</u>	<u>24"</u>	<u>26"</u>	<u>28"</u>	<u>30"</u>
	45.54	49.56	53.48	57.61	62.12

8505B 1-1/2" OT, Anochr, Bulk, 5pr/Ctn. No Screws

Code	12"	14"	16"	18"	20"
8505B-	\$ 35.92	35.73	37.16	40.53	41.36
	<u>22"</u>	<u>24"</u>	<u>26"</u>	<u>28"</u>	<u>30"</u>
	43.78	47.38	51.15	55.54	60.04

15

HEAVY DUTY

FULL EXTENSION DRAWER SLIDES

KV 8520/8525 - 175 LB DRAWER SLIDE

Load Capacity: 175 lbs, Full Extension, Overtravel, Progressive Action



**8520
8525
175 lbs.**

Wide Drawers and Lateral Files:

8520: Full extension drawer slide, 175 lbs.
8525: 1-1/2" overtravel drawer slide, 175 lbs.

- Mounting: Side, for frame and frameless construction
- Height: 3-51/64"
- Clearance: 1/2" + 1/32" - 0"
- Load Cap: 175 lbs.
- Max Drawer Width: 8520 = 42"
8525 = 36"
- Material: Anochrome, cold rolled steel
- Action: Progressive movement on precision steel ball-bearings. (3 ball-bearings per linear inch of race.)

8520B Bulk, 5pr./Ctn No Screws

Code	18"	20"
8520B-	\$ 51.76	54.97

8520P Poly, 20pr./Ctn With Screws

Code	16"	18"	20"
8520P-	\$ 54.27	54.06	56.99

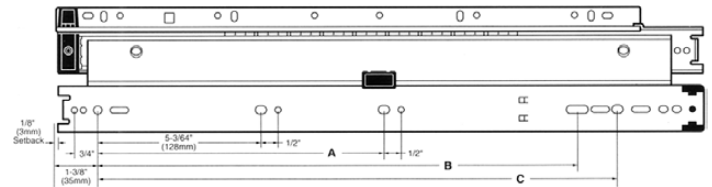
8525B 1-1/2" Overtravel Bulk, 5pr./ctn. No Screws

Code	16"	20"
8525B-	\$ 55.65	61.58

8525P 1-1/2" Overtravel Poly, 20pr./ctn. With Screws

Code	16"	18"	20"
8525P-	\$ 51.66	54.03	57.74

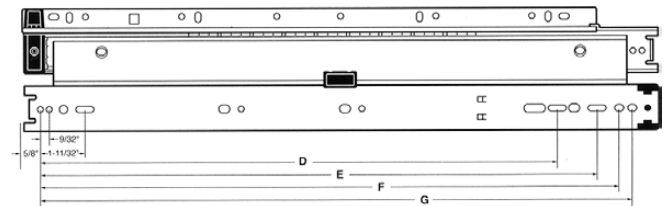
32mm Frameless



DIMENSIONS - in inches, (mm)

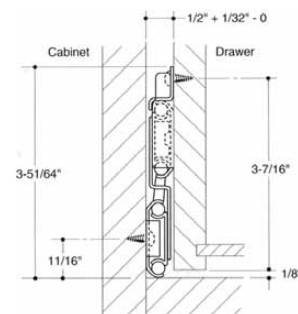
SLIDE SIZE	A	B	C
16"	-	11-11/32 (288mm)	-
18"	8-53/64 (224mm)	12-19/32 (320mm)	13-55/64 (352mm)
20"	8-53/64 (224mm)	15-1/8 (384mm)	-

Face Frame



DIMENSIONS - in inches

SLIDE SIZE	D	E	F	G
16"	-	13-7/16	14-5/32	14-9/16
18"	14-1/16	15-7/16	16-5/32	16-9/16
20"	16-17/32	17-7/16	18-5/32	18-9/16



15

FULL EXTENSION DRAWER SLIDES

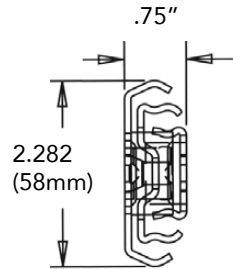
HEAVY DUTY

KV 8800 HEAVY DUTY DRAWER SLIDE

Load Capacity: 200 lbs, Full Extension



8800
200 lbs.



Mounting: Side
Clearance: .75" (+.030 - .00)
Height: 2.282"
Finish: Zinc Plated
Action: Telescopic

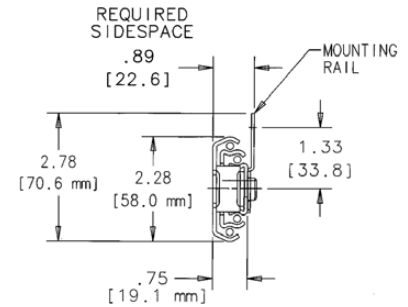
Non-handed design for easy installation. Ideal for commercial and industrial applications. Closed position hold-in detent. WIC approved.

Bulk Pack 4pr./Ctn No Screws

Code	12"	14"	16"	18"	20"
8800B-	\$ 42.35	44.93	46.60	50.96	52.12
	22"	24"	26"	28"	
	58.21	58.55	61.62	65.58	

KV 8805 HEAVY DUTY DRAWER SLIDE

Overtravel: 1", With Quick Disconnect Rail
Load Capacity: 200 lbs.



8805
200 lbs.

Mounting: Side
Clearance: .89" (+.030, -.000)
Height: 2-9/32" (with QD 2-25/32")
Finish: Zinc Plated

1" Overtravel. Telescopic action.

Non-handed design, quick disconnect rail for easy installation. For use in drawers up to 42" wide. WIC Approved.

Bulk Pack 4pr./Ctn No Screws

Code	12"	14"	16"	18"	20"
8805B-	\$ 42.83	45.32	49.00	51.62	54.96
	22"	24"	26"	28"	
	58.13	61.51	65.03	69.19	

Note: Same side space, hole pattern and load rating as 3640. 8805 is 5/32" taller.

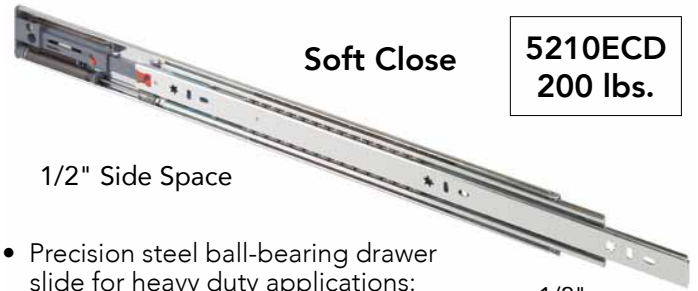
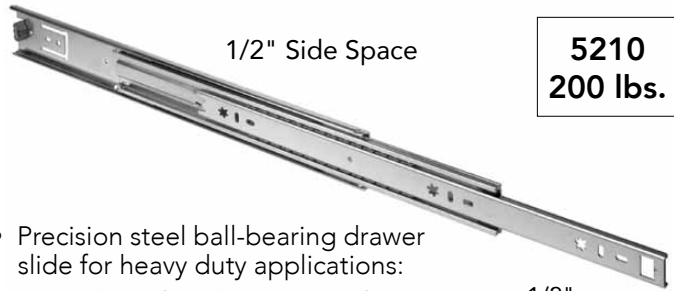
Note: Same side space, hole pattern and load rating as 3600. 8800 is 5/32" taller.

HEAVY DUTY

FULL EXTENSION DRAWER SLIDES

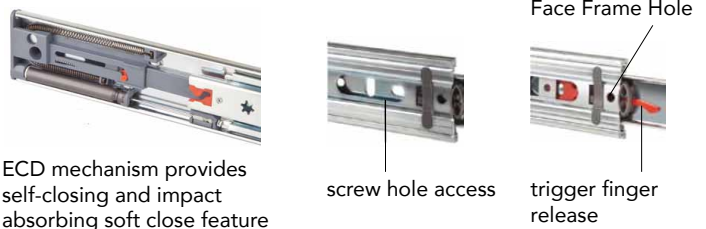
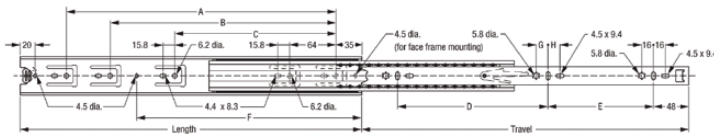
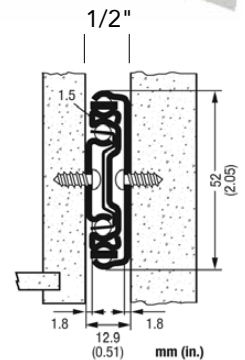
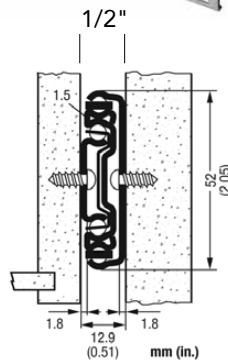
FULTERER 5210 HEAVY DUTY SLIDE
200 lb. Load Capacity, Full-Extension + 1"

FULTERER 5210ECD SOFT CLOSE HEAVY DUTY SLIDE
200 lb. Load Capacity, Full-Extension + 1"



- Precision steel ball-bearing drawer slide for heavy duty applications: Residential and Commercial
- Easy to operate disconnect, finger release trigger
- System 32 compatible hole locations
- Drawer slide is non-handed and has a hold-close detent
- Full extension + 1" over-extension

- Precision steel ball-bearing drawer slide for heavy duty applications: Residential and Commercial
- Easy to operate disconnect, finger release trigger
- System 32 compatible hole locations
- Drawer slide is non-handed and has a hold-close detent
- Full extension + 1" over-extension

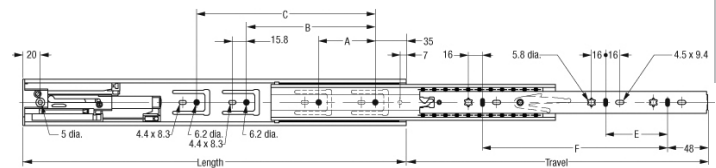


ECD mechanism provides self-closing and impact absorbing soft close feature

screw hole access

trigger finger release

Length mm / in	Travel inches	Cabinet Profile			Drwr Profile	
		A	B	C	D	E
250 / 9.84"	9.84"	-	-	6.30"	-	6.30"
300 / 11.81"	12.80"	-	-	7.56"	-	7.56"
350 / 13.78"	14.76"	-	-	8.82"	7.56"	2.52"
400 / 15.75"	16.73"	-	11.34"	8.82"	7.56"	3.78"
450 / 17.72"	18.70"	13.86"	11.34"	8.82"	8.82"	5.04"
500 / 19.69"	20.67"	16.38"	11.34"	8.82"	11.34"	5.04"
550 / 21.65"	22.64"	16.38"	11.34"	8.82"	11.34"	6.30"
600 / 23.62"	24.61"	18.90"	11.34"	8.82"	12.60"	7.56"
650 / 25.59"	26.58"	21.42"	11.34"	8.82"	12.60"	7.56"
700 / 27.56"	28.54"	22.68"	11.34"	8.82"	15.12"	8.82"



16" and 18": 10 pr/ box. 20" and 22": 8 pr/ box. 24": 6 pr/box.

12" through 18": 10 pr/ box. 20" and 22": 8 pr/ box. 24" through 28": 6 pr/box.

Code	Size	Travel	List/pr
5210ECD-16	16"	16.73"	\$ 41.49
5210ECD-18	18"	18.70"	44.83
5210ECD-20	20"	20.69"	47.80
5210ECD-22	22"	22.64"	48.75
5210ECD-24	24"	24.61"	50.04

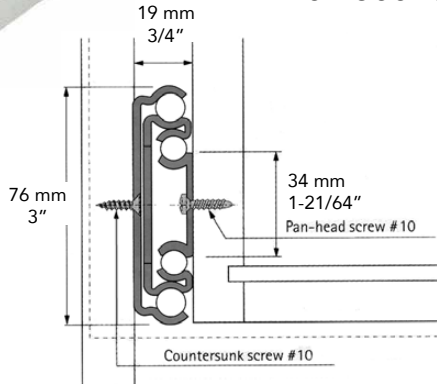
Code	11"	14"	16"	18"	20"
5210-	\$ 22.32	27.27	30.20	35.12	36.17
	22"	24"	26"	28"	
	37.21	40.10	42.71	51.41	

HETTICH 3320 HEAVY DUTY FULL EXTENSION SLIDE

Load Capacity: 500 lbs/pr. (18")



**EXTRA
HEAVY DUTY
Hettich (Grant)
3320
220 - 500 lbs.**



Side Mounted

Extra Heavy Duty Full Extension Slide.

Load Capacity: 500 lbs/pr. (18")

Space Required: 3/4". Height: 3". Steel, zinc-plated, Clear chromate. Action: Ball-bearings: hardened to Grade 200.

Slide is non-handed, i.e. either unit can be mounted to either side. Slide has positive mechanical stop (rubber bumper) as well as minimum deflection. USDA Food Grade grease. Individually packed in envelopes with screws.

Pack: 1 pair per box.

<u>Code</u>	<u>Size</u>	<u>Load Cap†</u>	<u>List/pr</u>
3320P-12	12"	500 lbs.	\$ 85.31
3320P-14	14"	500	93.47
3320P-16	16"	500	96.33
3320P-18	18"	500	123.43
3320P-20	20"	460	117.82
3320P-22	22"	430	133.29
3320P-24	24"	410	144.28
3320P-26	26"	400	156.34
3320P-28	28"	390	158.07
3320P-30	30"	380	167.05
3320P-32	32"	370	180.90
3320P-34	34"	360	203.40
3320P-36	36"	348	228.60
3320P-40	40"	320	235.41
3320P-42	42"	310	283.69
3320P-48	48"	280	288.20
3320P-60*	60"	220	400.00

† 10,000 cycles

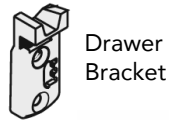
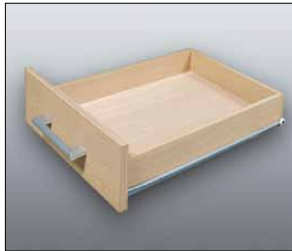
15

EURO SLIDE SOFT CLOSE

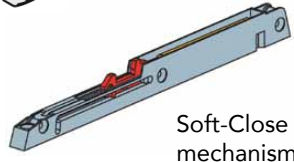
EURO SLIDES

INDAMATIC SOFT PROGRESSIVE CLOSE

Soft Close for Euro Slides

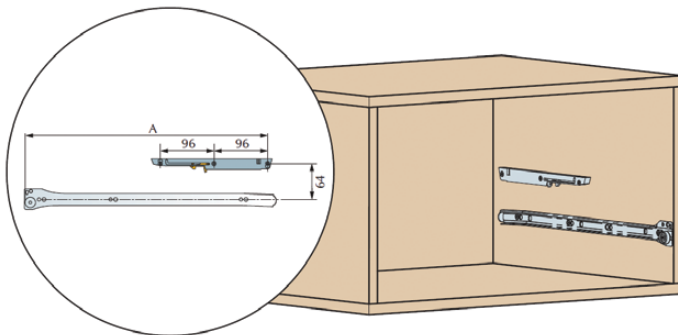


Drawer Bracket



Soft-Close mechanism

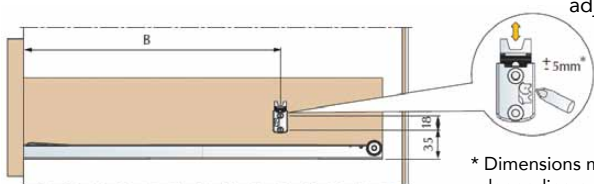
Fixing method to the side panel



Length drawer in inches	B	A
10"	108	229
12"	140	261
14"	204	325
16"	268	389
18"	300	421

Length drawer in inches	B	A
20"	364	485
22"	396	517
24"	460	581
28"	556	677
32"	652	773

Fixing method to the drawer



Vertical adjustment

* Dimensions may vary depending on drawer's manufacturer

For Epoxy Slides (Euro Slides). Use one per drawer. Gray in color. The 795.070.146 is polybagged with screws.

469054: Each pack contains 1 ea. soft-close mechanism and 1 ea. drawer bracket. Screws NOT included.
 Uses 2 #6 x 1/2" FPDT (clip) and 3 #6 x 5/8" FPDT (mechanism)

Code	Description	List/pack
795.070.146	Soft-Close for Wooden Drawers	\$ 6.01
469054	Soft-Close for Metal Drawers	4.70

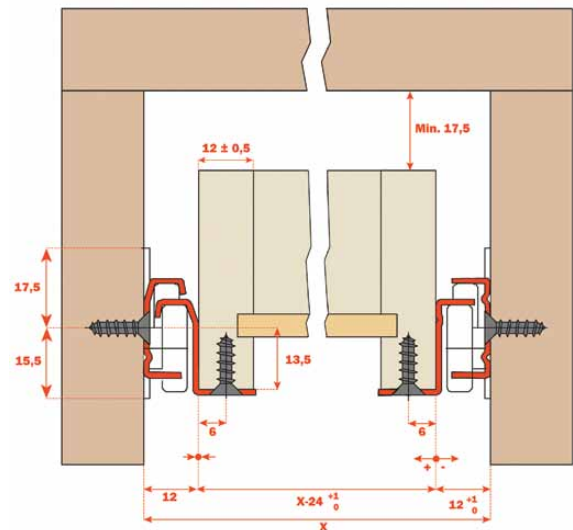
SALICE A208 WHITE EURO SLIDES

Bottom Mount, Self-Closing, 3/4 Extension



A208

Load Capacity: 66 lbs. Dynamic



- Left sided captive (by pressure sliding) to ensure smooth opening and closing
- Rise of 1.2mm in first 20mm (3/4") of extension
- Dynamic Load capacity of 66 lbs.
- Double safety stop to prevent accidental pull-out of the drawer
- Automatic closing during last 60mm (2.4")

Pack: 25 pr/box

Code	10"	12"	14"	16"
A208-	\$ 4.79	4.57	4.68	5.02
	18"	20"	22"	
	4.84	5.06	5.44	

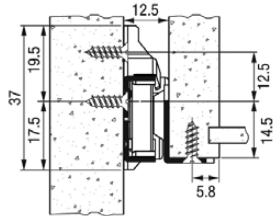
Pack: 100 pr/box: **Full Cartons Only**

Code	18B	20B	22B
A208-	\$ 4.65	4.86	5.23

EURO SLIDES

FULTERER FR1921 WHITE EUROSIDE

Bottom Mount, Self-Closing, Load Capacity: 75 lbs



**FR1921
White
75 lbs.**

Material: White powder coated cold rolled steel
Bearings: Nylon
Load Cap: 75 lbs Dynamic
Mounting: Bottom, 1/2" clearance

This economical slide has good running qualities through precision nylon rollers and smooth epoxy coating. Cabinet profile specially formed to prevent rollers from touching protruding screws. Long self-closing ramp on all four profiles assures perpendicular closing action.

WIC Approved.

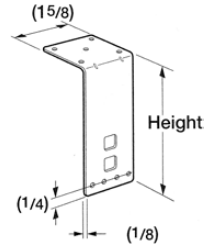
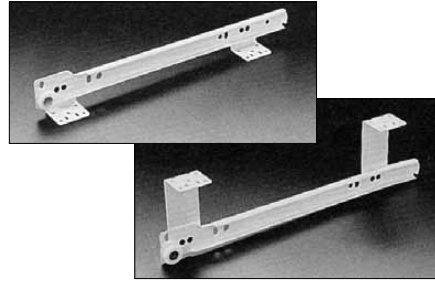
Pack: 20 pr/Ctn: **Full Cartons Only**

Code	Length	Ext Loss	List/pr
FR1921-14	14/350	80 mm	\$ 1.86
FR1921-16	16/400	80 mm	2.60
FR1921-18*	18/450	90 mm	3.11
FR1921-20*	20/500	100 mm	3.32
FR1921-22*	22/550	105 mm	3.60
FR1921-24	24/600	120 mm	4.31

* Available in 100 pr Bulk, same price.

FULTERER TOP AND BOTTOM MOUNT BRACKETS

Can be used on FR1921 & FR6500 Drawer Slides



Brackets are easily mounted by means of self-tapping screws and capnuts.

Pack: 4 brackets per bag with screws and capnuts.

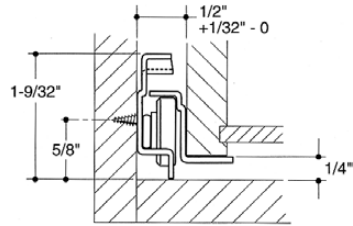
Code	Color	Height	Ctn	List/bag
FR1436-WH	White	1.42"	10 bags	\$ 12.14
FR1496-WH	White	3.78"	10	10.25

15

EURO DRAWER SLIDES

KV 1284 ENAMEL DRAWER SLIDES

Load Capacity: 75 lbs.



Load Cap: 75 lbs/pr. Clearance: 1/2", Extension: 3/4. Mounting: Bottom or side mount. Captive roller reduces side play. Epoxy coated white finish. Adaptable to frame mounting and System 32 mounting.

**KV1284
White
75 lbs.**

Other Features: positive stop, lift-out disconnect, stay closed design.

Polybag: 10 sets per carton with screws.

White	Size	List/pr
1284P-12WH	12"	\$ 9.71
1284P-16WH	16"	10.00
1284P-18WH	18"	9.63
1284P-20WH	20"	11.05
1284P-22WH	22"	11.51

SOCKET FOR KV 1284 SLIDE

Rear plastic socket. 2-5/8" length.



Code	Hand	Ctn	List/ea
1284-4L	Left	100	\$.92
1284-4R	Right	100	.92

* If screws are needed order 20 ea. 58-6 PHFT per pair.

DRAWER SOCKET SCREWS

Truss head, sharp tipped, deep thread screw for rear drawer mounting sockets. Phillips drive.



Code	Drive	Size	Ctn	List/M
6802	Phillips	#8-3/4"	10000	\$ 20.16
7892	Phillips	#8-5/8"	10000	23.91

KV 1805 EURO-STYLE DRAWER SLIDES

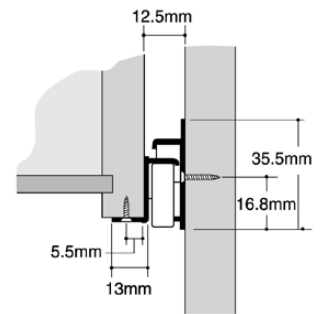
Load Capacity: 75 lbs.



**KV1805
White
75 lbs.**

Key Features:

- 32mm mounting hole pattern
- Lift out disconnect
- Self close design
- Can be used with 248 / 248ABS / 217 sockets



Mounting: Side 1/2"
Action: Nylon Rollers
Load Rating: 75 lb. class
Height: 35.5mm
Clearance: 12.5mm (1/2") plus .8mm (1/32"), minus 0" each side
Finish: White (WH) Powder coat

Pack: 100 pr/box. Sold in Full Cartons Only.

White	Size	List/pr
1805Q-18	18"	\$ 2.68
1805Q-20	20"	3.33
1805Q-22	22"	3.85

15

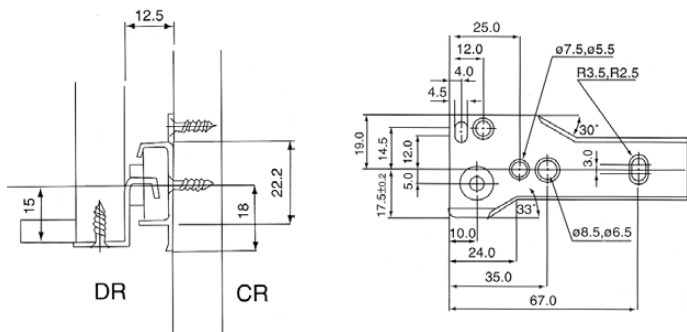
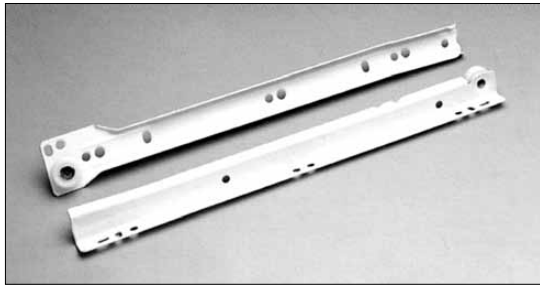


GRASS EURO SLIDES

9200 SERIES WHITE EURO SLIDES

75 lbs. Dynamic, 100 lbs. Static

9200
White



- Load Capacity: 75 lbs. Dynamic / 100 lbs. Static
- Self-Closing
- 1/2" Side Space
- 3/4 Extension
- White Epoxy Powder Coating

Accepts the following euro slide sockets: 248 and 248ABS. Use the 6802 screws with sockets.

Slides conform with:
GB/T 19002:94 - ISO9002:94 Standard

Full Cartons Only. Pack: 20 pr/Ctn.

Code	Size/mm	List/pr
9230	12" (300)	\$ 2.11
9235	14" (350)	2.73
9240	16" (400)	2.97
9245	18" (450)	2.76
9250	20" (500)	3.39
9255	22" (550)	3.30

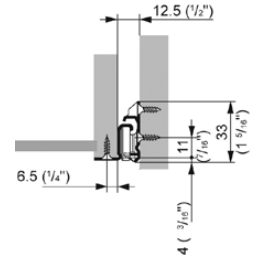
GRASS 1702 WHITE EURO SLIDE

Bottom Mount, Self-Closing
Load Capacity: 100 lbs. Dynamic

1702
White



100 lbs.



Grass die-formed slides have reinforced wheels and the smoothest epoxy finish in production. Extra features make this slide easier to install than other leading brands. Made in Austria.

- Easy Drawer Insertion: rollers need only 1/2" top clearance for the drawer.
- Less binding: mounting width allows +3mm tolerance per drawer.
- Closer fit can be used on drawer fronts, as Grass needs only .5mm gap between two 3/4" fronts.
- Simple Mounting of slide to drawer box due to special rail profile.

Pack: 25 pr/Ctn.

Bulk	10"	12"	14"	16"
1702-	\$ 5.38	5.38	5.78	6.46
	18"	20"	22"	23"
	6.56	6.55	7.22	7.72

1800-*	24"	26"	28"	30"	32"
\$ 9.09	16.38	19.28	20.54	23.58	

*1800 same as 1702, just larger sizes. 20 pr/Ctn.

Polybag	12"	14"	16"	18"	20"	22"
1702-P	\$ 6.06	5.81	6.20	6.40	6.61	8.81
Black					20"	22"
1702-BL					5.99	5.90



217
Socket



248
Socket

217	Mounting socket: 2-3/4" Overall	\$ 1.02/pr
248	Extra Long Socket: 3-3/4" Overall	.93/pr
6802	Socket Mounting Screw	20.16/M

EURO SLIDES

GRASS 5300 FULL EXTENSION EPOXY SLIDE

Load Cap: 125 lbs. Dynamic



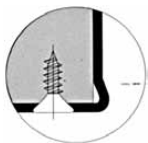
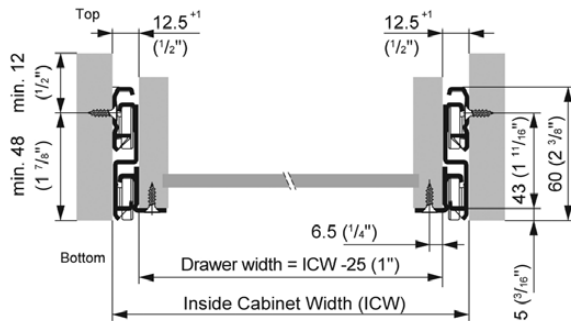
 **WOODWORK INSTITUTE**
approved **125 lbs.**



5300
White

- Full Extension
- Self-Closing
- Bottom Mount
- Load Capacity: 150 lbs. (ANSI/BIFMA Grade 1)
- Side Clearance: 1/2"
- Epoxy White Finish
- Special rail profile

System 32 compatible. Also usable on existing boring patterns for single extension runners. WIC Approved.



Chamfering of drawer bottoms and shelves not necessary - important time saving feature.

Pack: 10 pr/Ctn.

<u>Code</u>	<u>10"</u>	<u>12"</u>	<u>14"</u>	<u>16"</u>
5300-	\$ 23.57	24.95	27.23	31.01
	<u>18"</u>	<u>20"</u>	<u>22"</u>	<u>24"</u>
	30.88	33.34	32.19	37.46
	<u>26"</u>	<u>28"</u>	<u>32"</u>	
	39.16	42.79	48.52	

FULTERER FR6500 FULL EXTENSION WHITE SLIDE

Load Capacity: 150 lbs Dynamic, Self-Closing, Bottom Mount with Overtravel

 **WOODWORK INSTITUTE**
approved **150 lbs.**

FR6500
White



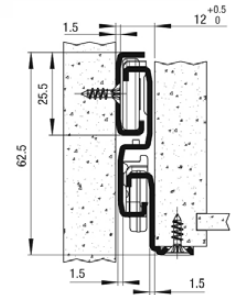
Patented reinforcement of the middle profile



silent roller



Patented impact-absorbing stops and non-removable overrun safety clip



Material: Powder coated cold rolled steel - White
Bearings: Nylon
Load Cap: 150 lbs Dynamic
Mounting: Bottom, 1/2" clearance

Excellent lateral stability through a special formed double captive profile. Patented non-removable trigger to prevent drawer from falling out when slammed open. Patented holdout catch for ease of drawer insertion - prevents running back when drawer is being installed. Self-closing with patented backstop on cabinet profile for soft closing. Hole pattern takes faceframe or frameless mounting. WIC Approved.

For top and bottom mount brackets see page 1521.

Pack: 10 pr/Ctn.

<u>Code</u>	<u>12"</u>	<u>14"</u>	<u>16"</u>	<u>18"</u>
FR6500-	\$ 26.95	29.06	32.92	34.69
	<u>20"</u>	<u>22"</u>	<u>24"</u>	<u>26"</u>
	35.32	37.24	39.00	41.10
	<u>28"</u>	<u>30"</u>	<u>32"</u>	
	40.25	42.00	44.00	

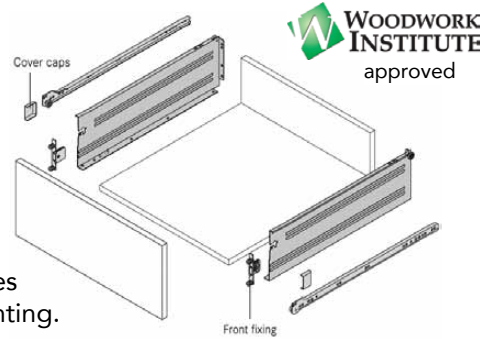
GRASS INTEGRA "QUICK" DRAWER SYSTEM

The Integra single-wall steel drawer system offers cabinet makers a wide range of design options for modern kitchens and bathrooms. Everything is possible: standard drawers, interior pull-outs, full extension drawers with railings, pull-outs for suspension files and other combinations. Excellent quality, perfect function and appearance.

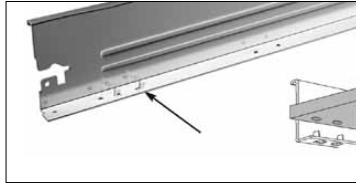
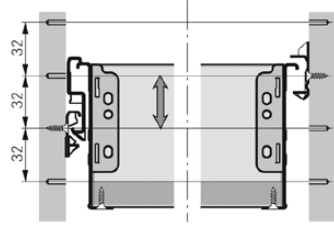


- Metal drawer system
- White baked on epoxy finish
- Load capacity: 100 lbs. dynamic
- Snap-on bottom mounting
- Installation width 15.5 mm (5/8")
- Made in the USA

Assembly Advantage Integra-Quick provides for screwless and time-saving bottom mounting.



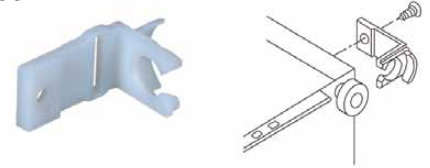
Height of drawer sides in 32mm increments, making cabinet design easy.



Quick, screwless bottom mounting and back screw-on.

Close Stop AL-3810

This plastic stop holds front 1.5mm from cabinet even when slammed. Installs on drawer member wheel/case.



Front Fixing Brackets

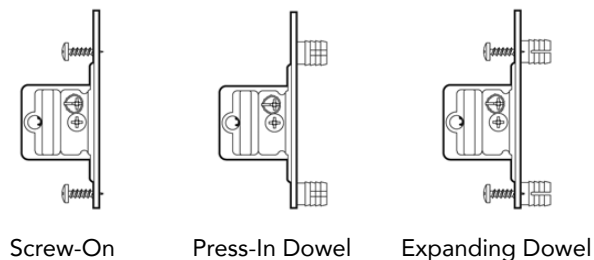
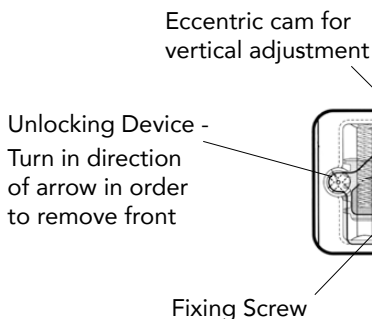
Clip-on and slide-on versions are available with screw-on, press-in dowel or expansion dowel applications. The Fit-on is available in screw-on or press-in dowel.

Cover caps are available with the clip-on or slide-on fixings.



Clip On Slide On Cover Cap

Clip-On Bracket

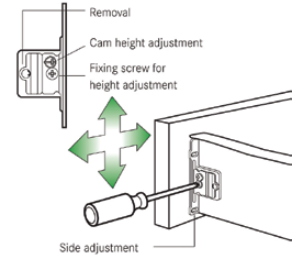
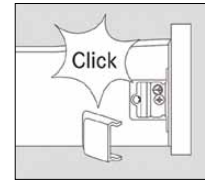
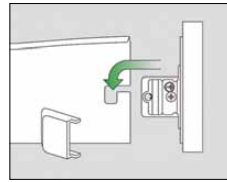


Grass Integra "Quick" Drawer System, Cont.

Drawer Front Attachment

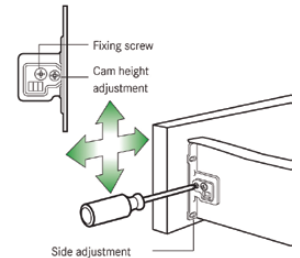
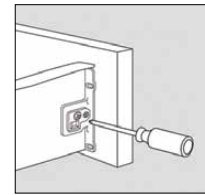
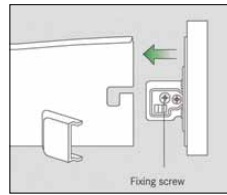
Grass "Quick" Clip-On

The pre-mounted front fixing brackets are simply clipped to the drawer sides. The front is perfectly connected to the drawer sides and the drawer is ready to be used.



Grass "Quick" Slide-On

Simple Assembly: Attach front fixing brackets, insert front, tighten fixing screw - you're finished!



DRAWER SIDES – White Epoxy Coated

Side Height: 3-3/8"

Code	Height x Length	Ctn	List/pr
9113-275	3-3/8" x 11"	10 pr	\$ 11.56
9113-350	3-3/8" x 14"	10	10.62
9113-400	3-3/8" x 16"	10	10.33
9113-450	3-3/8" x 18"	10	11.03
9113-500	3-3/8" x 20"	10	11.11
9113-550	3-3/8" x 22"	10	12.34

Side Height: 4-5/8"

9213-400	4-5/8" x 16"	10 pr	18.14
9213-450	4-5/8" x 18"	10	21.47
9213-550	4-5/8" x 22"	10	22.60

Side Height: 5-7/8"

9313-350	5-7/8" x 14"	5	18.29
9313-400	5-7/8" x 16"	5	18.68
9313-450	5-7/8" x 18"	5	20.40
9313-500	5-7/8" x 20"	5	24.71
9313-550	5-7/8" x 22"	5	27.25

FULL EXTENSION SLIDE MEMBERS

Code	Description	Ctn	List/pr
9140-450	18" White Epoxy	10	18.62
9140-550	22" " "	10	20.27

FRONT FIXING PARTS

Specify R (Right Hand) or L (Left hand)

Clip-On	Description	Ctn	List/ea
9305 R/L	Screw-On	50 ea.	1.65
9306 R/L	Press-In Dowel	50	1.95
9307 R/L	Expanding Dowel	50	3.08
Slide-On			
9205 R/L	Screw-On	50	2.27
9207 R/L	Expanding Dowel	50	1.74

Cover Caps

9112	White Cover Cap	100	.37
------	-----------------	-----	-----

Close Stop

AL-3810	Ensures 1.5mm gap White, plastic	100	1.23
---------	-------------------------------------	-----	------

FRONT FIXING ADAPTER

These internal brackets fasten the front to a pull-out shelf drawer. Drawer front must be 5/8" material only. White.

10 sets/Ctn - Full Cartons only.

Code	Description	Ctn	List/st
9108	For 85mm (3-3/8")	10	\$ 5.45

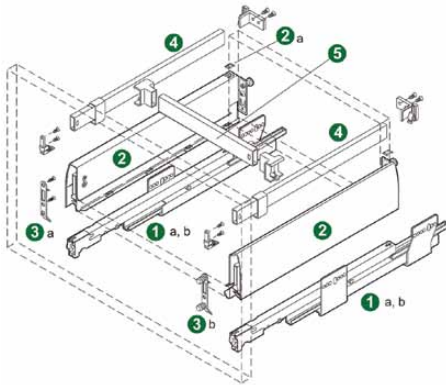


GRASS NOVA PRO

GRASS NOVA PRO STEEL DRAWER SYSTEM

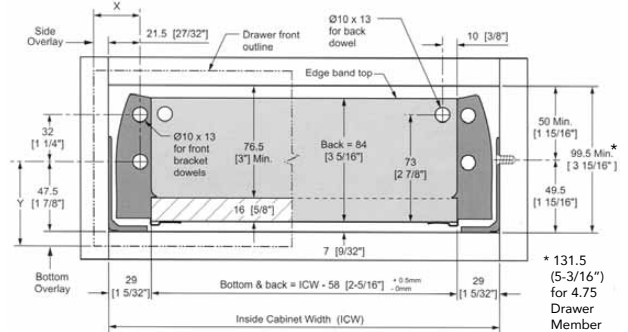
With Full Extension and Soft Close

- Concealed Full Extension Slides
- Available load capacities: 88 lbs. and 154 lbs. dynamic
- Exclusive Airmatic Soft Close
- Tool-free drawer front removal and installation; snap-on and off
- Cam height adjust and tool-free side adjustment of drawer front
- High gloss Champagne finish
- Drawer sides available in 3-1/2" and 4-3/4" heights
- Drawer side interior has a curved lip for easy cleaning
- Divider system available for customized storage



Key

- 1 a,b Cabinet Members (88 lbs or 154 lbs)
- 2 Drawer Members (3-1/2" or 4-3/4")
- 3 a,b Front Fixing Brackets (Dowel or screw-on)
- 4 Side Railing
- 5 Divider Railing



Order cabinet members, drawer members and front fixing brackets separately.

Cabinet Members

10 pair per box. Sold per pair (1 LH and 1 RH).

Code	Load	Length	List/pr
P904-270	88 lbs.	11"	\$ 45.63
P904-350	88 lbs.	14"	46.29
P904-400	88 lbs.	16"	47.38
P904-450	88 lbs.	18"	49.07
P904-500	88 lbs.	20"	49.43
P904-550	88 lbs.	22"	55.18
P907-550	154 lbs.	22"	84.34

Drawer Members - Champagne Finish

10 pair per box. Sold per pair (1 LH and 1 RH).

Code	Height	Length	List/pr
P920-350CH	3-1/2"	14"	\$ 37.70
P920-400CH	3-1/2"	16"	39.99
P920-450CH	3-1/2"	18"	40.26
P920-500CH	3-1/2"	20"	40.51
P920-550CH	3-1/2"	22"	41.22
P930-400CH	4-3/4"	16"	43.26
P930-450CH	4-3/4"	18"	44.64
P930-500CH	4-3/4"	20"	45.74
P930-550CH	4-3/4"	22"	46.17

Front Fixing Brackets

2 Required per drawer

Code	Description	Ctn	List/ea
7600-DWL-PB	Dowelled	100 ea.	\$ 1.61
7600-SCR-PB	Screw-On	100	1.19

Divider Railings - Champagne Finish

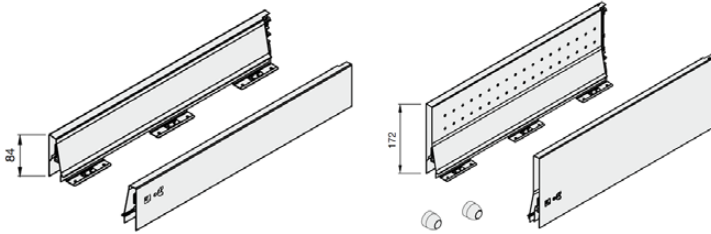
Code	Description	Ctn	List
7602-1200CH	47" Divider Rail	10 ea	\$ 12.11/ea
7607-400CH	16" Side Rail	10 sets	15.51/st
7607-450CH	18" Side Rail	10	16.69
7607-500CH	20" Side Rail	10	16.90
7607-550CH	22" Side Rail	10	19.78

Additional Nova Pro Parts

Code	Description	List
7620-1200CHAM	47" Front Panel (1200mm)	\$ 39.21/ea.
P620-R7006	Panel Holder Set - use with 7620-1200CHAM	9.22/pr.
P620-RAIL-R7006	Panel Holder w/ Rail - use with 7620 / 7602-1200	11.40/pr.
92050-01	Drawer Front Marking Template	22.33/ea.

INDAUX Ariane Drawer System

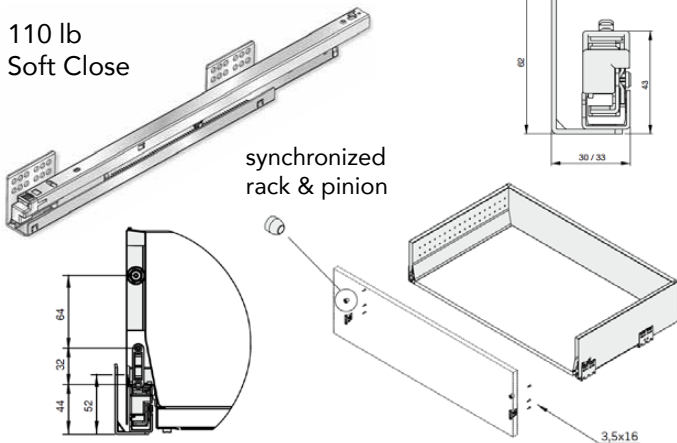
DRAWER SIDES - Metallic Gray



Height 3.31" (84mm)	Length	Ctn	List/pr
669.527.143	11" (270)	20 pr	\$ 21.95
669.535.145	14" (350)	20	22.96
669.540.141	16" (400)	20	24.20
669.545.144	18" (450)	20	24.84
669.550.140	20" (500)	20	25.82
669.555.143	22" (550)	20	26.11
669.560.146	24" (600)	20	26.75

Height 6.77" (172mm)	Length	Ctn	List/pr
669.745.145	18" (450)	10 pr	\$ 44.02
669.750.141	20" (500)	10	45.67
669.755.144	22" (550)	10	47.02

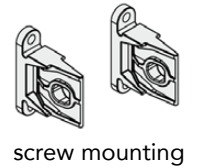
FULL EXTENSION SLIDES - for 5/8" material



Code	Length	Ctn	List/pr
671.227.034	11" (270)	10 pr	\$ 36.34
671.235.036	14" (350)	10	38.56
671.240.032	16" (400)	10	40.40
671.245.035	18" (450)	10	41.79
671.250.031	20" (500)	10	44.63
671.255.034	22" (550)	10	46.82
671.260.030	24" (600)	10	49.29

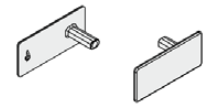
FRONT FIXING BRACKETS

Code	Ctn	List/pr
647.800.145	100 pr	\$ 1.04



COVER CAPS - Metal Gray

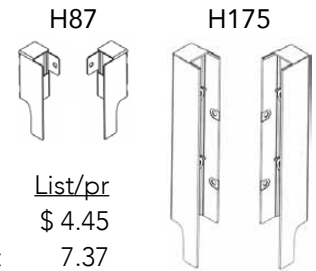
Code	Ctn	List/pr
647.900.142	100 pr	\$.55



WOODEN DRAWER BACK ADAPTER

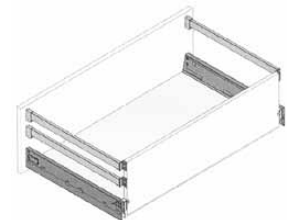
Pack: 40 pr.

Code	Description	List/pr
645.700.145	for 84mm Ht	\$ 4.45
645.775.141	for 172mm Ht	7.37



SIDE RAILS

Metallic Gray. Use one or two rails per side. Pack 20 pr.



Code	Length	List/pr
645.335.143	14" (350)	\$ 17.85
645.340.146	16" (400)	18.66
645.345.142	18" (450)	19.09
645.350.145	20" (500)	20.19
645.355.141	22" (550)	20.53
645.360.144	24" (600)	20.89

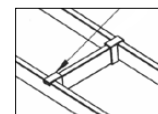
SIDE RAIL FRONT BRACKET

Code	Ctn	List/pr
646.800.140	100 pr	\$ 1.56



CROSS DIVIDER AND DIVIDER CLIPS

Code	Description	Ctn	List/ea
671.511.142	43.7" (1110mm), Cut to size	20 ea	\$ 15.17
644.810.143	Cross Divider clips	40	1.32



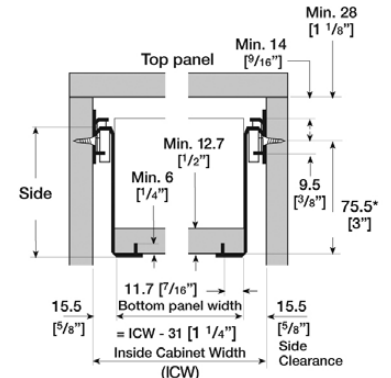
GRASS ZARGEN



GRASS ZARGEN DRAWER SYSTEM



- Load Capacity: 100 lbs.
- 3/4 Extension, Self-Closing
- Integrated drawer side and slide reduce production process
- 60mm (2-5/8") Self-Closing action and dual captive rollers
- Includes built-in drawer front adjustment and drawer front bumpers
- Dowelled for rapid assembly
- White baked-on epoxy finish
- Silent Glide roller ensures smooth, quiet ride
- WIC Approved



Integrated Drawer Slide/Side, White Epoxy Finish

Side Height: 3-3/8" (85mm)

Code	Height x Length	Ctn	List/pr
6036-270	3-3/8" x 10-5/8"	10 pr	\$ 20.06
6036-350	3-3/8" x 13-3/4"	10	22.24
6036-400	3-3/8" x 15-3/4"	10	22.83
6036-440	3-3/8" x 17-3/8"	10	18.71
6036-470	3-3/8" x 18-1/2"	10	19.21
6036-510	3-3/8" x 20-1/16"	10	9.73
6036-550	3-3/8" x 21-5/8"	10	20.57

Side Height: 4-5/8" (117mm)

Code	Height x Length	Ctn	List/pr
6136-510	4-5/8" x 20-1/16"	5 pr	\$ 27.02
6136-550	4-5/8" x 21-5/8"	5	28.74

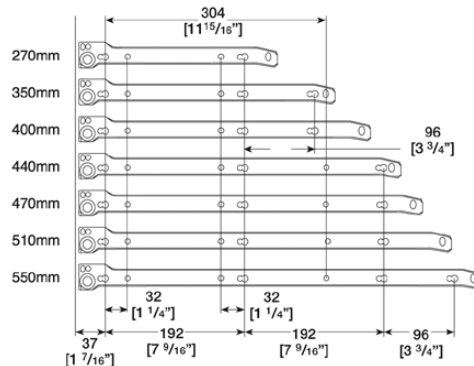
Side Height: 5-7/8" (149mm)

Code	Height x Length	Ctn	List/pr
6236-400	5-7/8" x 15-3/4"	5 pr	\$ 28.68
6236-440	5-7/8" x 17-3/8"	5	24.88
6236-470	5-7/8" x 18-1/2"	5	30.41
6236-510	5-7/8" x 20-1/16"	5	29.36
6236-550	5-7/8" x 21-5/8"	5	29.32

Side Height: 8-3/8" (213mm)

Code	Height x Length	Ctn	List/pr
6436-350	8-3/8" x 13-3/4"	5 pr	\$ 38.20
6436-400	8-3/8" x 15-3/4"	5	38.37
6436-470	8-3/8" x 18-1/2"	5	40.86
6436-510	8-3/8" x 20-1/16"	5	42.02
6436-550	8-3/8" x 21-5/8"	5	43.20

Cabinet member fastening positions



Tech Specifications

- Self-Closing: 60mm (2-5/8")
- Side Clearance: 15.5mm (5/8")
- Tolerance Adjustment: 2mm
- Cabinet Member Screws: #6 x 5/8" FHP Wood Screws
- Euro Screws Length: 18mm, 13mm, 7.5mm
- Bottom Panel Thickness: 10mm - 16mm (6035)
- Bottom Panel Thickness: 12.7mm - 19mm (6036, 6136, 6236, 6436)
- Back Panel Thickness: 16mm - 19mm

GRASS 6036 ACCESSORIES

6 Screws and 6 Dowels per bag.

Code	Description	Ctn	List/bg
12768	6036 Dowel & Screw Set	50 bags	\$ 1.11

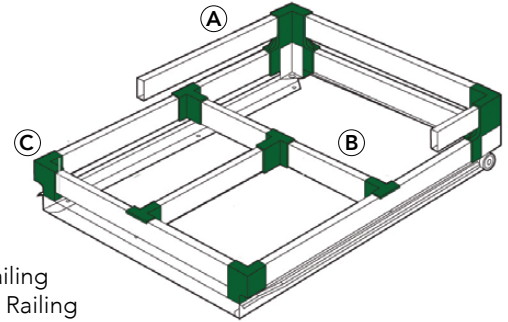


GRASS ZARGEN



GRASS ZARGEN 6100 RAILING SYSTEM

- Designed for use with 6036 and 6136 and 6236
- Easy to construct
- Customizable storage space
- Includes convenient rail dividers
- White finish



Key

- A Side Railing
- B Divider Railing
- C Corner Brackets (LH/RH)

6100 SIDE RAILING / DIVIDER RAILING

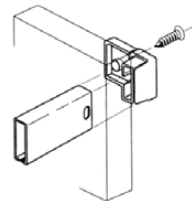
Pack: 20 ea/Ctn.

Code	Drawer Width	Railing Length	List/ea
97210	21-5/8" (550mm)	21-3/8" (545mm)	\$ 4.31
96783	cut to size	39-3/8" (1000mm)	8.37

BACK CLIP FOR RAILING

Screw-On

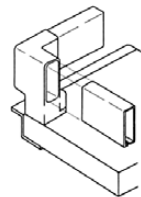
Clips for back side railing



Code	Description	Ctn	List/ea
96769	Back Clip, screw-on	20 ea.	\$ 1.46

CORNER BRACKET FOR RAILING

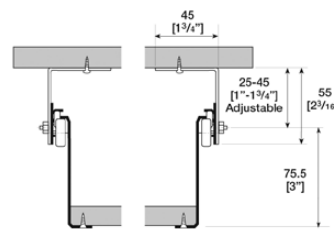
Corner Brackets



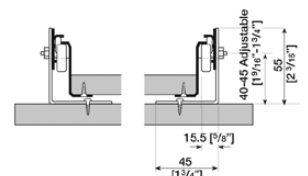
Code	Description	Ctn	List/ea.
96771	Corner Bracket, LH	20 ea.	
96772	Corner Bracket, RH	20	

ADAPTER BRACKET

Bottom or Top Mount



Top Mount



Bottom Mount

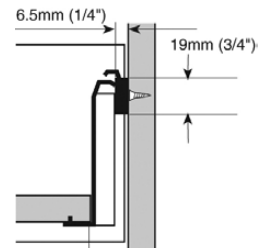
Adapter Bracket allows for easy installation of pull-out shelves, silverware or pencil drawers without the use of a side panel. It can be utilized left and right, however, fastening positions are different. Packed 4 pieces per bag with fasteners. Non-toxic epoxy coated finish.

Code	Description	Ctn	List/bg
00432	White Adapter Bracket	50 bgs	\$ 14.33

15

SPACER

For Inset Drawers

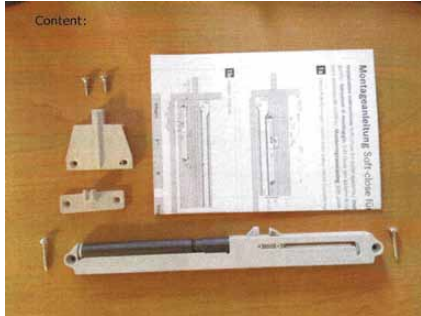


Code	Ctn	List/ea
00035	100 ea.	\$.34

ACCESSORIES

SOFT-CLOSE FOR GRASS EURO SLIDES

For Zargen and Grass Euro Slides

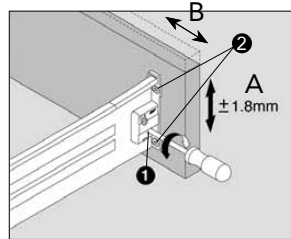
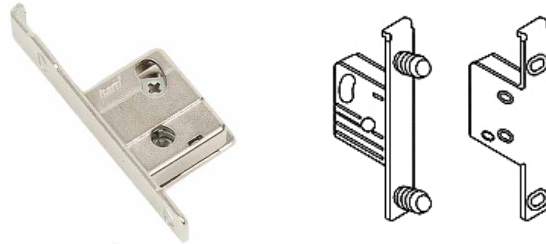


Soft-Close damper set for Zargen and Grass Euro Slides. Screws and instructions are included. One damper per bag. Load range up to 25 lbs per damper.

<u>Code</u>	<u>Description</u>	<u>List/bg</u>
F084101803538	Damper Set, Side Mount	\$ 9.08

HARN FRONT MOUNTING BRACKETS

Clip-On Type, with Press-In Dowels. For Zargen slides.

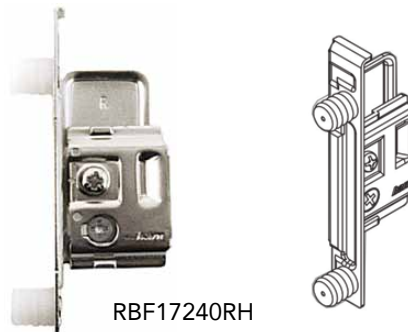


- A. Height adjustment:
Adjust eccentric screw 1.
Adjustment range + 1.8mm
- B. Side adjustment:
Loosen screw 2 slightly.
Move front into required position. Adjustment range + 1.5mm.
Retighten screw 3.

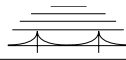
<u>Code</u>	<u>Description</u>	<u>List/ea</u>
RBF17040LH	Bracket, Left-Hand	\$ 2.84
RBF17040RH	Bracket, Right-Hand	2.84

*** This item is discontinued.
See replacement bracket below.**

Same bracket as above, only with an elongated cover.



<u>Code</u>	<u>Description</u>	<u>List/ea</u>
RBF17240LH	Bracket, Left-Hand	\$ 2.85
RBF17240RH	Bracket, Right-Hand	2.85



Drawer Box Reductions/Box Length Chart

Undermount Slide	Set Back		1/2" Box Material	5/8"	Baltic	Opening Height Less:
Hettich Quadro IW21	4mm	width deduct	5/8"	3/8"	11/16"	3/4"
CS-2	1-3mm	drawer length	without spacer length = 20-7/8" (subtract 1/8")	without spacer length = 21"	without spacer length = 20-7/8" (subtract 1/8")	with spacer length = 21"
		width deduct	9/16"	3/8"	5/8"	3/4"
Salice A7555 / A7557	4mm	drawer length	without spacer length = 20-7/8" (subtract 1/8")	without spacer length = 21"	without spacer length = 20-7/8" (subtract 1/8")	with spacer length = 21"
		width deduct	5/8"	3/8"	11/16"	7/8"
Grass DynaPro	4mm	drawer length	21", 18", 15", 12", and 24*	21", 18", 15", 12"	21", 18", 15", 12"	
		width deduct	5/8"	3/8"	11/16"	3/4"
Hettich Quadro IW20	6mm	drawer length	21", 18", 15", 12"	21", 18", 15", 12"	21", 18", 15", 12"	
		width deduct	9/16"	N/A	5/8"	3/4"
King 1A68F	3-4mm	drawer length	see below (1)	N/A	see below (1)	
		width deduct	5/8"	3/8"	11/16"	3/4"
Blum	3mm	drawer length	21", 18", 15", 12"	21", 18", 15", 12"	21", 18", 15", 12"	
		width deduct	5/8"	3/8"	11/16"	3/4"
		drawer length	21", 18", 15", 12", 9"	21", 18", 15", 12", 9"	21", 18", 15", 12", 9"	

(1) IW20 • 3 sided drawer drawer lengths for 1/2" : 23-9/16", 22-3/4", 21-5/8", 20-7/16", 19-5/8", 18-13/16", 17-11/16", 16-1/2", 15-11/16", 14-15/16", 13-3/4", 12-9/16", 11-3/4", 11"

for 5/8" : Not Recommended

• 4 sided drawer - add 1/2" or 5/8" to length

* Order A6555-24

QUADRO FOR FACE FRAMES

SOFT CLOSE UNDERMOUNTS



QUADRO IW21 SOFT CLOSE

For Face Frames - 100 lbs. Dynamic (Blum Pattern)

For Face Frame or Frameless Application

100 lbs.

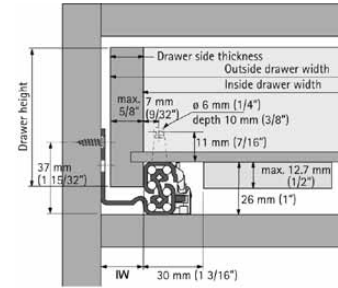


Steel ball bearings



Less sag with all kitchen undermount drawers. Smooth soft close. WIC Approved at 100 lbs / 21".

Dynamic (moving) cycle tested: 100 lbs to ANSI/BHMA Grade 1 spec at 21" size.



- **Face-Frame Friendly!** : mounts on face frame
- Blum lengths
- Soft-Close built-in
- Steel Bearings: less sag, 10,000 cycles
- Self-Cleaning, Self-Closing: 100 lbs.
- Mounts easily on the face frame for overlay drawers
- Drawer material thickness: 1/2" to 5/8"
- Steel side brackets add mounting convenience

Pack: 10 pr. Silent System Plus Series:

Code	Max Drawer Box Length	Min Cabinet Depth	List/pr
9048982	9"/228.6 mm	9-7/8"	\$ 47.36
9048740	12"/304.8	12-7/8"	44.87
9048976	15"/381.0	15-7/8"	49.33
9048793	18"/457.2	18-7/8"	48.07
9048776	21"/533.4	21-7/8"	45.72
9100272*	24"/609.6	24-7/8"	92.52

FRONT FIXING CLIP SET

Contains: 1 Left-Hand and 1 Right-Hand Fixing Clip



Code	Description	List/pr
9026839	Front Fixing Clip Set	\$ 3.51

METAL REAR BRACKETS

2" Adjustment



Code	Description	List/st
9055093	Metal Rear Attachments	\$ 3.55

SPACER CLIP

For 1/2" Drawer



9045834
List \$.27

15 For 5/8" drawer boxes
Drawer Box Outside Width = Opening less 3/8"

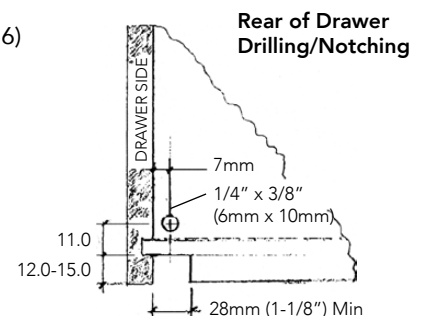
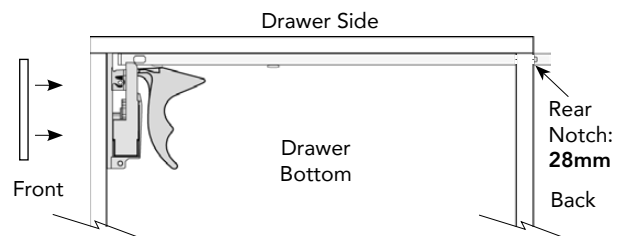
For 1/2" drawer boxes
Drawer Box Outside Width = Opening less 5/8"

Height of drawers = Opening height less 3/4"

* No rear attachment, must be blocked out

Quadro IW21

Slide	Drawer Slide Nominal Length	Length (+0/-1/16) 5/8" 4-sided Drawer Boxes	Length (+0/-1/16) 1/2" 4-sided box w/9045834 clip	Length (+0/-1/16) 1/2" 4-sided Drawer Boxes
9048982	9"	9"	9"	8-7/8"
9048740	12"	12"	12"	11-7/8"
9048976	15"	15"	15"	14-7/8"
9048793	18"	18"	18"	17-7/8"
9048776	21"	21"	21"	20-7/8"
9100272	24"	24"	24"	23-7/8"



QUADRO

HETTICH

QUADRO IW20 - SOFT CLOSE

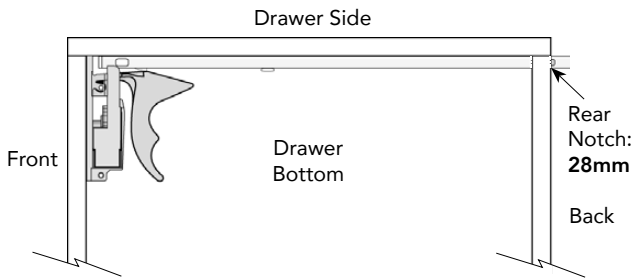
14 Sizes

Soft Close action is built in. Quadro IW20 Concealed Full Extension Slide.



**100 lb. Soft Close
14 Sizes**

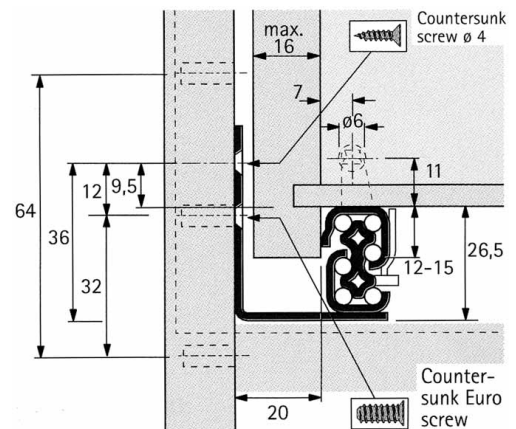
- Load Capacity: 100 lbs. Dynamic
- Perfect vertical and lateral stability
- Steel ball bearings
- Maintenance-free through self-cleaning ball tracks
- Soft-close is built-in
- Front fixing clips make it easy to detach drawer from the runners
- Tool-less height adjustment integrated into front fixing clips with thumbwheel



Code	Drawer Size	Ctn	List
904526700	11", 280mm	20 pr.	\$ 39.27/pr
904525100	12", 300mm	20	39.47
904112900	13", 320mm	20	39.71
903969700	14.2", 350mm	20	40.02
903966400	15.4", 380mm	20	40.35
904096700	16", 400mm	20	41.16
903971700	17", 420mm	20	41.40
903971000	18", 450mm	20	41.73
903968000	19", 480mm	20	42.05
904114400	20", 500mm	20	42.28
904537300	21", 520mm	20	42.48
904538400	22", 550mm	20	42.83
904540500	23", 580mm	20	43.16
904541300	24", 600mm	20	43.39

9119741	Front Fixing Clip, LH	100 ea.	.99/ea
9119742	Front Fixing Clip, RH	100	.99

QUADRO IW20 - SOFT CLOSE Cont.



Nominal Slide Length	Min. Cab. Depth	Drawer lengths (Notched Rear Only)		
		3-sided	4-Sided drawer	
			1/2"	5/8"
280mm	12"	11"	11-7/16"	11-5/8"
300mm	12-3/4"	11-3/4"	12-1/4"	12-3/8"
320mm	13-9/16"	12-9/16"	13-1/16"	13-3/16"
350mm	14-3/4"	13-3/4"	14-3/16"	14-3/8"
380mm	15-15/16"	14-15/16"	15-3/8"	15-9/16"
400mm	16-3/4"	15-3/4"	16-3/16"	16-3/8"
420mm	17-1/2"	16-1/2"	16-15/16"	17-1/8"
450mm	18-11/16"	17-11/16"	18-1/8"	18-5/16"
480mm	19-7/8"	18-7/8"	19-3/8"	19-1/2"
500mm	20-11/16"	19-11/16"	20-1/8"	20-5/16"
520mm	21-7/16"	20-15/32"	20-15/16"	21-1/16"
550mm	22-5/8"	21-5/8"	22-1/16"	22-1/4"
580mm	23-13/16"	22-13/16"	23-1/4"	23-7/16"
600mm	24-5/8"	23-5/8"	24-1/16"	24-1/4"

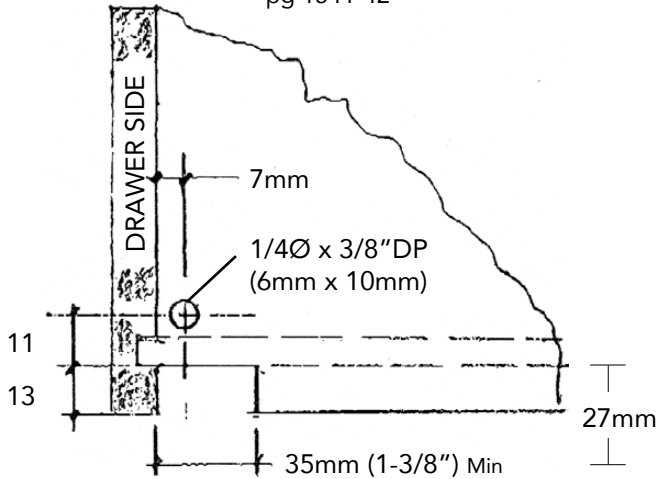
Drawer Box Outside Width

For box thickness	Deduct from cabinet opening
1/2"	9/16"
5/8"	5/16"

Left hand clip: # 9119741
Right hand clip: # 9119742

REAR of DRAWER DRILLING/NOTCHING

GRASS DynaPro
pg 1541-42

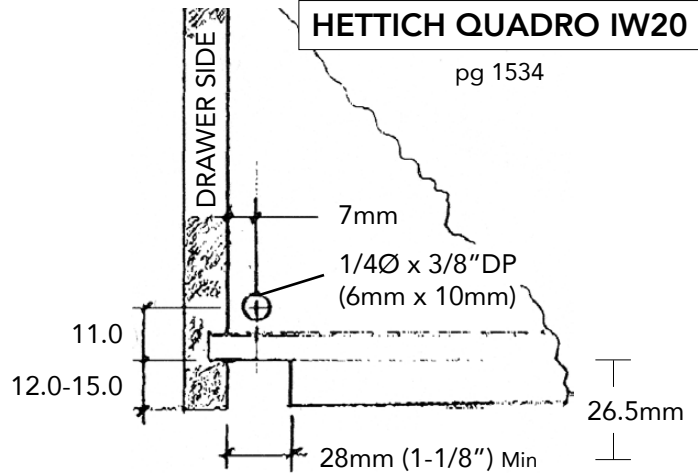


Drawer Box Width Calculations

For 1/2" Sides = Opening - 5/8"
For 5/8" Sides = Opening - 3/8"
Based on exact thickness
for oversized material (eg 1/2" +)
increase drawer width by 2x extra thickness

Example: On 1/2 sides, drawer opening of 18" =
O.D. box width of 17-3/8"

HETTICH QUADRO IW20
pg 1534

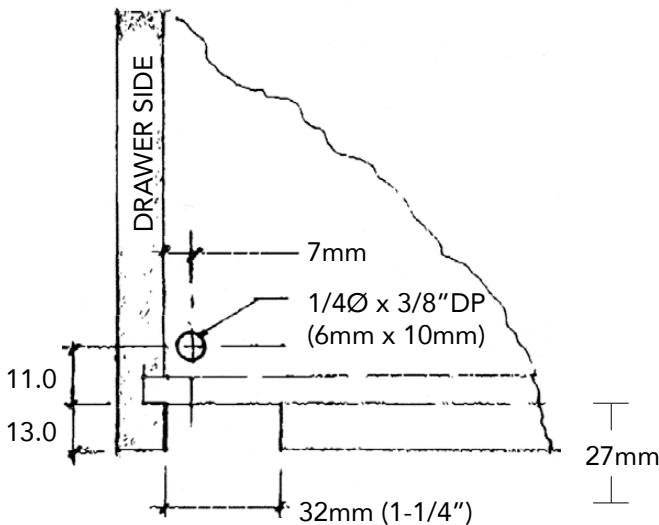


Drawer Box Width Calculations

For 1/2" Sides = Opening - .5625 (9/16")
For 5/8" Sides = Opening - .3125 (5/16")
Based on exact thickness
for oversized material (eg 1/2" +)
increase drawer width by 2x extra thickness

Example: On 1/2 sides, drawer opening of 18" =
O.D. box width of 17-7/16"

BLUM TANDEM

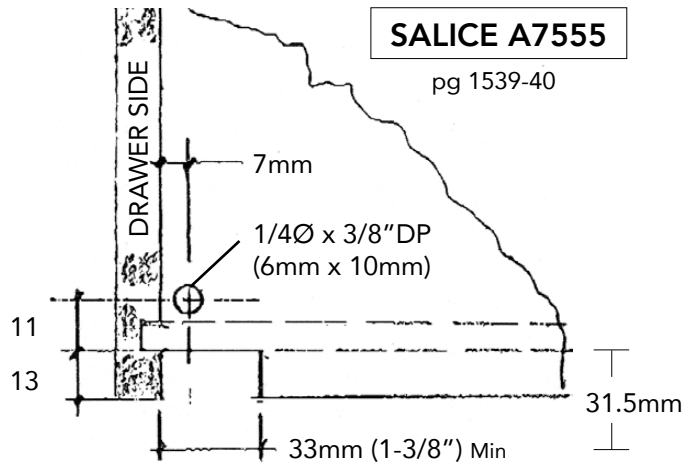


Drawer Box Width Calculations

For 1/2" Sides = Opening - 5/8"
For 5/8" Sides = Opening - 3/8"
Based on exact thickness
for oversized material (eg 1/2" +)
increase drawer width by 2x extra thickness

Example: On 1/2 sides, drawer opening of 18" =
O.D. box width of 17-3/8"

SALICE A7555
pg 1539-40



Drawer Box Width Calculations

For 1/2" Sides = Opening - 5/8"
For 5/8" Sides = Opening - 3/8"
Based on exact thickness
for oversized material (eg 1/2" +)
increase drawer width by 2x extra thickness

Example: On 1/2 sides, drawer opening of 18" =
O.D. box width of 17-3/8"

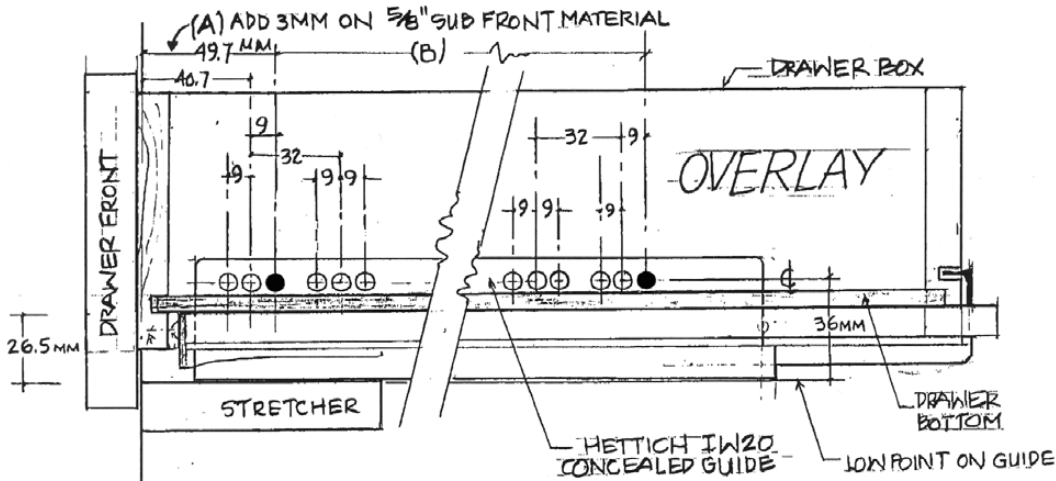
15

QUADRO MOUNTING HOLE SETBACKS & CROSS SECTIONS

For Quadro IW20 Soft Close Slides

A= 1-31/32" on 1/2" material

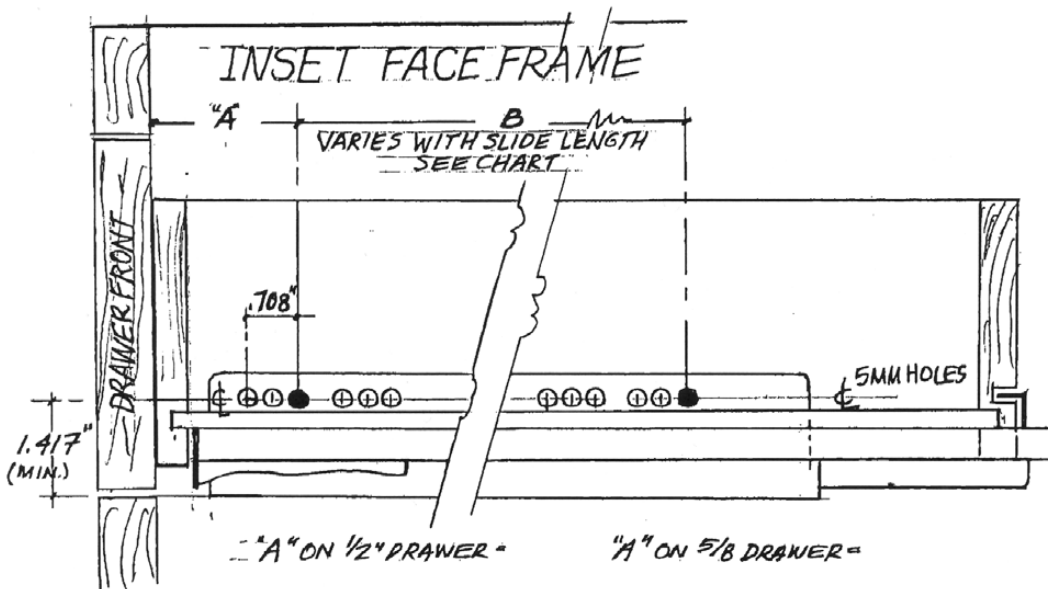
A= 2-3/32" on 5/8" material



Slide Length mm	Hole distance	
	B mm	inches
280	160	6.30"
300	192	7.56"
320	192	7.56"
350	192	7.56"
380	224	8.82"
400	224	8.82"
420	224	8.82"
450	256	10.08"
480	256	10.08"
500	288	11.34"
520	288	11.34"
550	288	11.34"
580	352	13.86"
600	352	13.86"

A= 2-15/32" on 1/2" material

A= 2-23/32" on 5/8" material



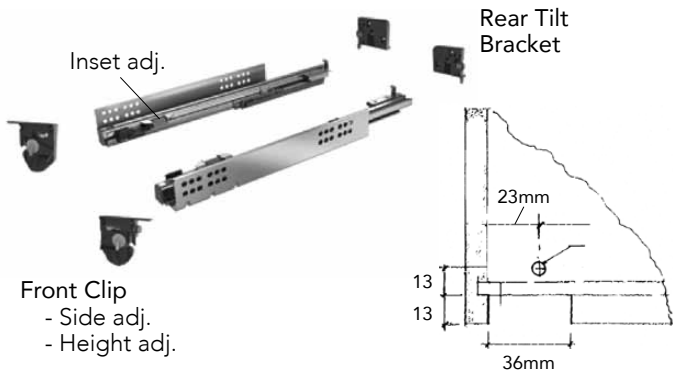
"A" ON 1/2" DRAWER =

"A" ON 5/8" DRAWER =

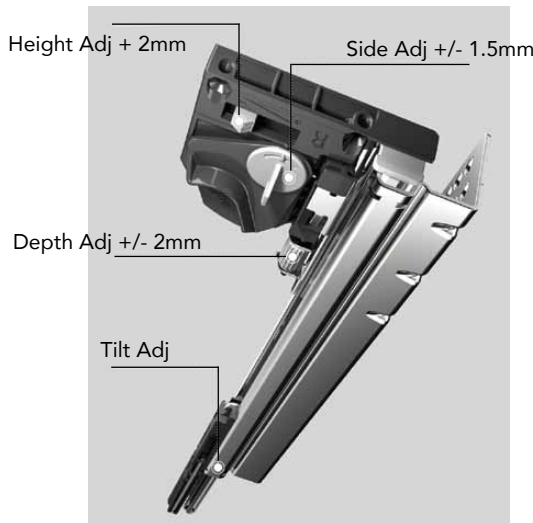
UNDERMOUNT SLIDES

QUADRO 4D UNDERMOUNT SLIDES - IW21

4-Way adjustment for Perfect Gap alignment



- Load cap: 100 lbs. when mounted to case side
66 lbs. when mounted with a rear bracket
- Silent system: Ingrated soft closing closes the drawer quietly and gently
- Tool-less height, side, tilt (optional rear tilt bracket), and depth adjustment



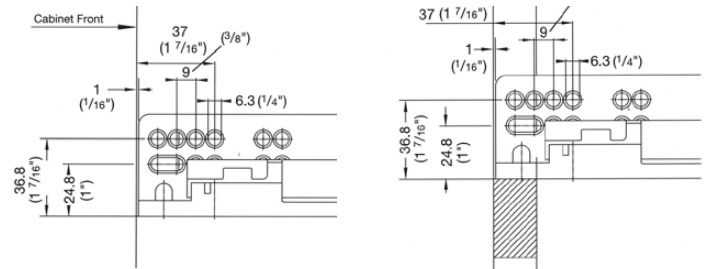
GRASS 7102 UNDERMOUNT SLIDES

Standard Euro Drawer Sizes



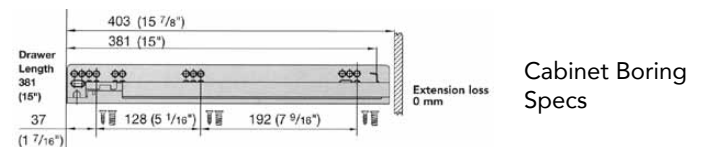
7102 - Full Extension w/ Soft Close

- 100 lb. Load - Stable, No Dive; tested to 80,000 cycles
- Soft Close Action
- Std. Euro Drawer Sizes (Tandem pattern)
- Self-Closing
- +/- 5mm Depth Adjustment
- 2.5mm Tool-less Height Adjustment
- +1/-2mm Side Tolerance
- Face Frame Friendly - Fits on cross rail
- Can be mounted flush with cabinet floor for lowest drawer or pull-out

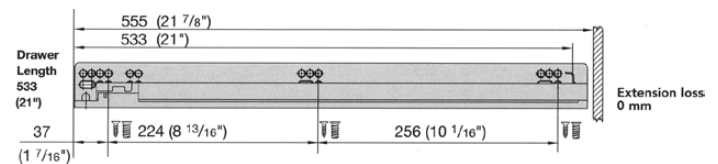


Frameless

Face Frame



Cabinet Boring Specs



7102 - FULL EXT, W/ INTEGRATED SOFT-CLOSE

Code	Drawer Box Length	Ctn	List/pr
7102-15	15" (381mm)	5 pr	\$ 29.29
7102-21	21" (533mm)	5	32.85
Description		List	
7910	Front Fixing Clips	\$ 2.49/set	
7950	Rear Mounting Brackets	1.80 ea.	

15

Code	Size	Ctn	List
9181140-41	9"	10 pr.	\$ 49.90 /pr
9181142-43	12"	10	45.36
9181144-45	15"	10	48.86
9181146-47	18"	10	48.90
9181148-49	21"	10	49.26
9181150-51	24"	10	83.43

9183185	Front Fixing Clip LH	100 ea.	\$ 1.33 /ea
9183186	Front Fixing Clip RH	100	1.33
9205924	Tilt Adjustment LH	100	1.11
9205925	Tilt Adjustment RH	100	1.11
9055093	Metal Rear Bracket	10	\$ 3.55 /st

Enterprise CS2

UNDERMOUNT SLIDES

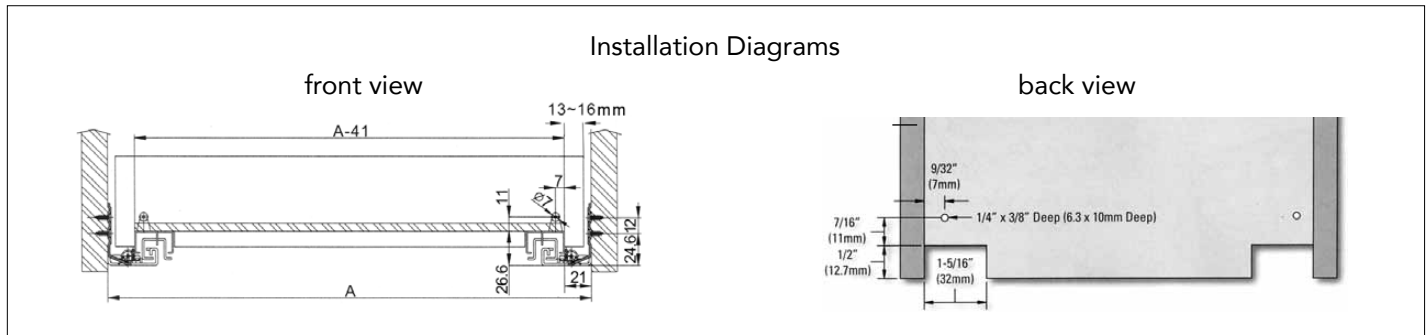
UNDERMOUNT WITH SOFT-CLOSE: CONCEALED FULL EXTENSION SLIDE

Face Frame Friendly, Load Capacity: 75 lbs.



- Full Extension, Soft-Close
- Load Capacity: 75 lbs.
- 1/2" or 5/8" drawer side
- Use with BS8-1 Front Clips
- Tool-less height adjustment
- Rear bracket available

Face-Frame Friendly:
Mounts Face Frame or
Frameless at 37mm

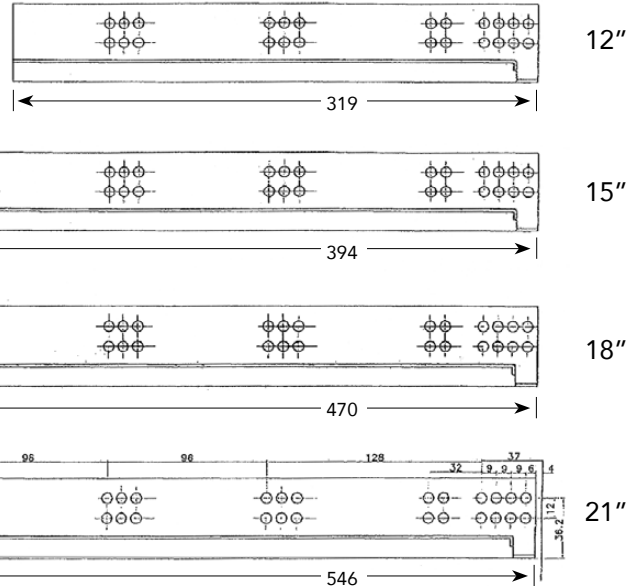


Rear Bracket Available



BS8-1 Front Clip
Takes 1/2" or 5/8" sides

Hole Drilling



Packed: 6 pr/ctn.

Code	Drawer Length	Min Cabinet Depth w/ rear bracket	Ctn	List/pr	Code	Description	List
CS2-12	12" / 305 mm	350 - 370	6 pr.	\$ 18.28	BS8-1	Front Clips	\$ 1.92/pr.
CS2-15	15" / 381 mm	416 - 436	6	18.28	RMB	Rear Brackets	.81
CS2-18	18" / 457 mm	494 - 514	6	18.70	CSD	Extra Dampers	.51 /st.
CS2-21	21" / 533 mm	568 - 588	6	19.11			

UNDERMOUNT SLIDES



SALICE FUTURA A7555: SOFT CLOSE UNDERMOUNT



 WOODWORK INSTITUTE **75 lbs.**



A7555
Undermount
with Soft-Close:
Full Extension Slide

Face Frame Friendly:
Mounts on face frame or frameless at 37mm.

- Load Cap 75 lbs. Dynamic, 100 lbs. Static
- ANSI: Grade 1 Certification
- With Smove soft-closing
- Depth Adjustment built-in
- Drawer height adjustment (+2.5mm)
- For 5/8" or 1/2" drawer material

Salice A7555 Soft Close Features:

- Easy pull, smooth roll
- Positive clip-on that adjusts for 1/2" and 5/8" material of drawer side
- Height adjustment 2.8mm
- Standard box sizes - drop in with Blum type notching & drilling
- Stable - less sag when loaded
- Depth Adjustment with elongated mounting holes for inset drawers
- Can be bottom mounted with pre-drilled holes as pull-out shelf
- Removable / Replaceable soft-close damper
- Opening height - 1" to get height of drawer box
- Face Frame Friendly - mounts on face frame or frameless at 37mm

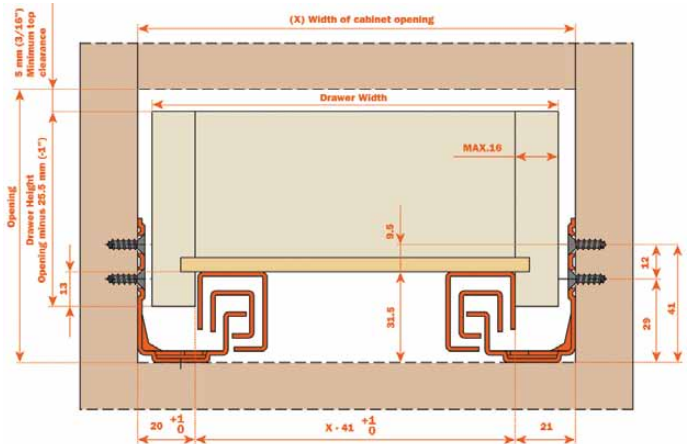
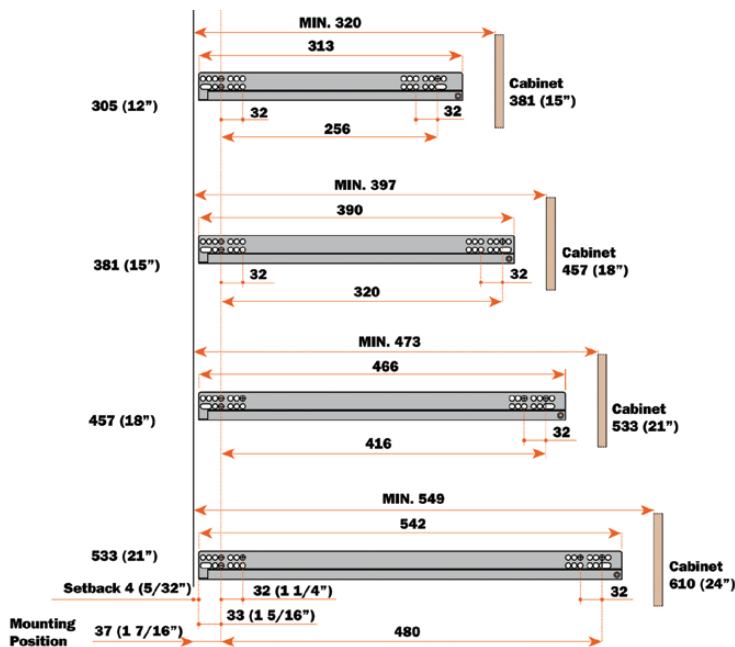
Calculation for outside drawer width

Drawer side Thickness	5/8" (16mm)	1/2" (13mm)
Deduct from opening size	3/8" (9mm)	5/8" (16mm)

Calculating max drawer height w/ recess of 1/2" (13mm)

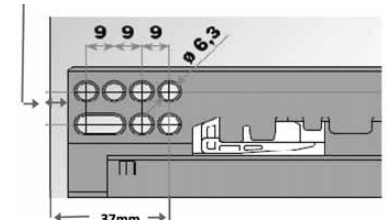
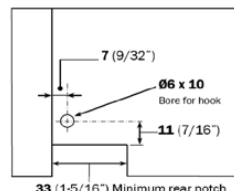
If drawer bottom is recessed:	1/2" (13mm)
Deduct from opening for max possible drawer height:	1" (25mm)

Standard Box Sizes 21", 18", 15", 12"



5/32" (4mm) set back from cabinet front edge

Drawer back detail



continued next page

SALICE

UNDERMOUNT SLIDES

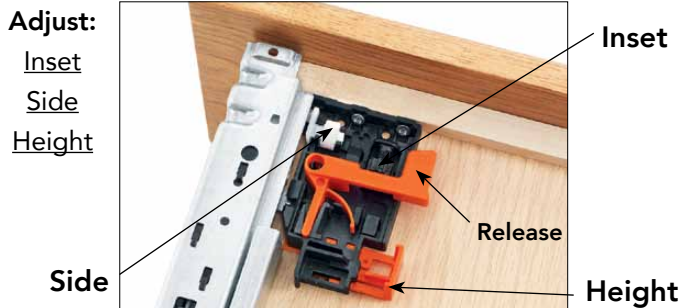
SALICE A7555: SOFT CLOSE UNDERMOUNT cont.

Packed: 6 pr/Ctn.

Code	Drawer Length	Depth w/ rear bracket	List/pr
A7555-9	9" / 229mm	264 - 284	\$ 29.81
A7555-12	12" / 305mm	340 - 360	30.83
A7555-15	15" / 381mm	416 - 436	31.23
A7555-18	18" / 457mm	494 - 514	33.79
A7555-21	21" / 533mm	568 - 588	35.85
A6555-24*	1/2" Side = 23-3/4" (603mm) 5/8" Side = 23-7/8" (606mm)		\$ 53.54
A710.610	Front Clips		2.23
A720.610	Narrow Front Clips		3.75

* Not for use with rear bracket. Packed 20 pr/Ctn.
Drawer Length = 600mm -10mm + Side thickness

Side Adjustable Clips w/ Inset adjustment
6 way adjustable LH/RH clips

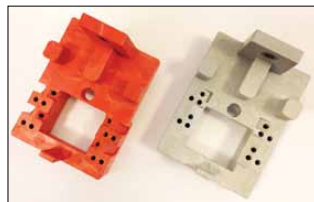


Code	Description	List
A750.010	Front Clips w/ 6 way adjustment including Inset, Ht, Side adjust.	\$ 6.64 /pr
AGSKXC5	Back Bracket	.82/ea
AGSKXR5	Narrow Back Bracket	.81

Salice Adar A7555 Jigs

These jigs are required when prepping drawers for the Salice Adar A7555.

Different jigs are needed for the A710.610 clips and the A750.010 clips.



A7555-JIG-STD A7555-JIG

Code	Description	List/ea
A7555-JIG-STD	Jig - Use w/ A710.610 clips	4.25
A7555-JIG	Jig - Use w/ A750.010 clips	4.25

SALICE A6555: SOFT CLOSE UNDERMOUNT

Stocking 24" Length

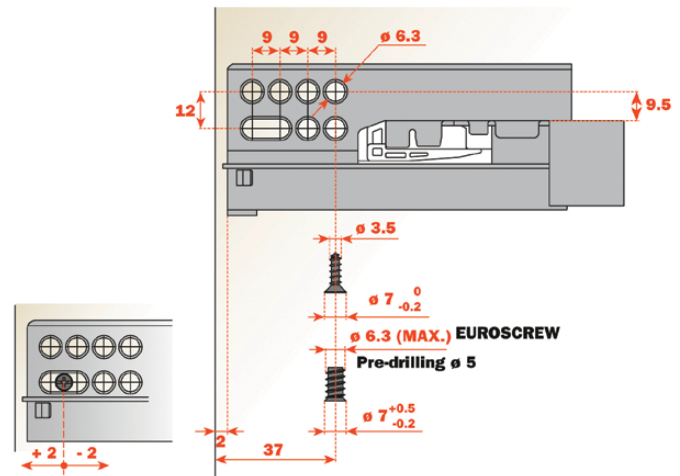


- Load Cap 75 lbs.
- 24" Length
- ANSI: Grade 1 Certification
- Drawer height adjustment (+2.5mm)
- For 5/8" or 1/2" drawer material
- Not for use with rear bracket

**Load Cap:
75 lbs.**

Easy pull,
smooth roll,
Soft-Close

Fixing full extension runner on cabinet side



- Positive clip-on that adjusts for 1/2" and 5/8" material of drawer side
- Height adjustment 2.5mm
- Std box sizes - drop in w/ Blum type notching & drilling
- Depth Adjustment with elongated mounting holes for inset drawers
- Can be bottom mounted with pre-drilled holes as pull-out shelf
- Removable / Replaceable soft-close damper
- Opening height - 1" to get height of drawer box - Same as A7555 slide series
- Locates on face frame

Slides Packed: 20 pr/Ctn.

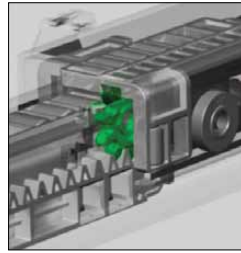
Code	Drawer Length 1/2" or 5/8"	List/pr
A6555-24*	1/2" Side = 23-3/4" (603mm) 5/8" Side = 23-7/8" (606mm)	\$ 53.54
A710.610	Front Clips	2.23
A750.010	Front Clips w/ 6 way adjustment including Inset adjustment	6.64

* Not for use with rear bracket. Packed 20 pr/Ctn.
Drawer Length = 600mm -10mm + Side thickness



G*GRASS® DYNAPRO - CONCEALED UNDERMOUNT SOFT-CLOSE DRAWER SLIDES

DYNAPRO



Side Adjustment



Rear Tilt Adjustment

Syncro-motion

- Smoothest motion
- Higher Loads
- Wider Drawers
- Takes Standard Drawer Boxes

Rack & Pinion Design

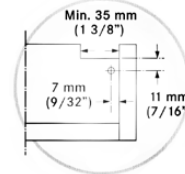
- Smooth and Fluid movement
- Progressive / Syncro-motion - no pickup noise
- Minimal side sway - great for wide drawers

*** Standard Duty:** 100 lbs. Dynamic Load
125 lbs. Static Load

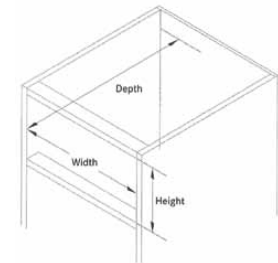
Heavy Duty: 132 lbs. Dynamic

Calculation Outside Drawer Width

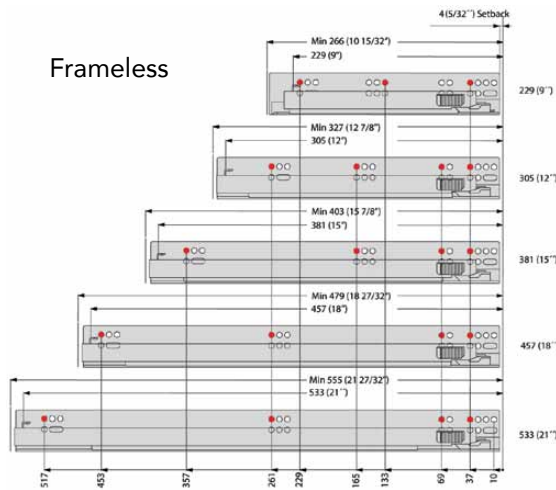
Drawer side thickness	16 (5/8")	15 (9/16")	14 (9/16")	13 (1/2")
Deduct from insid cab. width	10 (3/8")	12 (1/2")	14 (9/16")	16 (5/8")



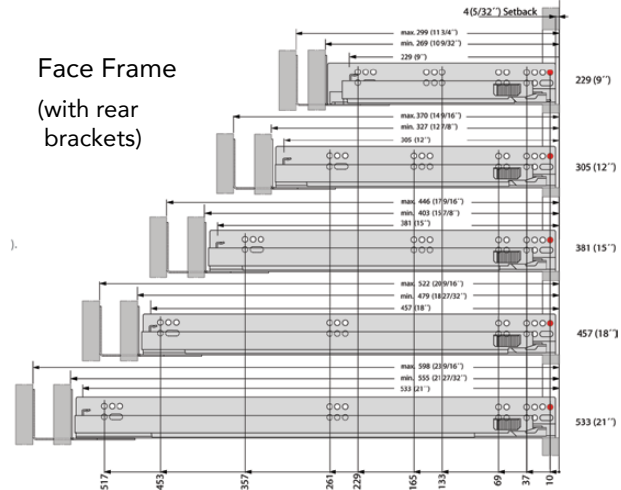
rear notch



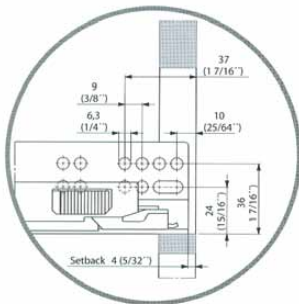
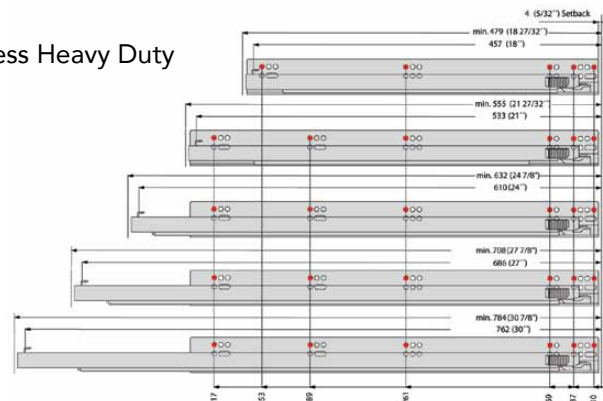
Frameless



Face Frame (with rear brackets)



Frameless Heavy Duty

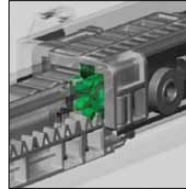


* Independently Lab tested to ANSI/BHMA Grade 1 spec at 21" size. Listed & acknowledged by WI.



UNDERMOUNT SLIDES

DYNAPRO - CONCEALED SOFT-CLOSE DRAWER SLIDES



Syncro-motion

- Smooth and fluid movement
- Progressive / syncro-motion - no pickup noise
- Minimal side sway - great for wide drawers

- Soft-pull, soft-close
- 100 lb. load Standard Duty, 132 lb. Heavy Duty
- Made in Austria; **Grass**
- Pull force of only 20 Newtons
- 2-D adjustment front clip - height, side-to-side
- 3-D Tilt adjustment rear clip
- Slotted holes - front to back inset adjustment
- Concealed soft-close mechanism - dust free operation
- Support roller - less deflection, consistent reveal
- Ratcheting point of attachment - tolerance for drawer box sizing

100 lb. Dynamic Load - 2D Height and Side Adjustment

Code	Length	Ctn	List/pr
DP-9	9"	5 pr.	\$ 43.24
DP-12	12"	5	34.57
DP-15	15"	5	34.57
DP-18	18"	5	35.19
DP-21	21"	5	35.77

100 lb. Dynamic Load - 3D Height/Side/Tilt Adjustment

DP-9-3D	9"	5 pr.	\$ 52.20
DP-12-3D	12"	5	39.61
DP-15-3D	15"	5	42.98
DP-18-3D	18"	5	40.55
DP-21-3D	21"	5	41.22

132 lb. Heavy Duty

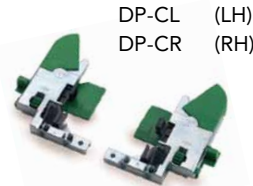
Heavy Gauge Steel, 3D Height/Side/Tilt Adjustment

DP-18-HD	18"	5 pr.	\$ 75.29
DP-21-HD	21"	5	78.85
DP-24-HD	24"	5	89.89
DP-27-HD	27"	5	105.57
DP-30-HD	30"	5	120.10

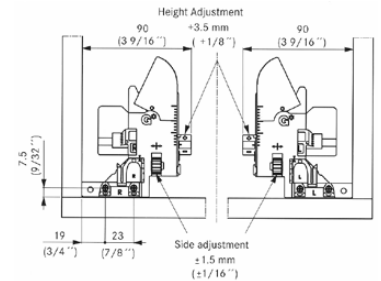
DYNAPRO CLIPS / BRACKETS

Front Clips

For All DynaPro Slides, provides height & side adjustment.
Min Inside Drawer Width: 7-3/32".

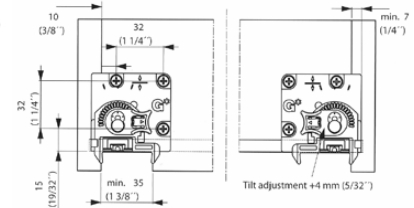


Code	List/ea
DP-CL / CR	\$ 1.92



Rear Clips for 3D

The 3D rear clips provide tilt adjustment for the DynaPro 3D slides and the DynaPro 3D Heavy Duty slides.



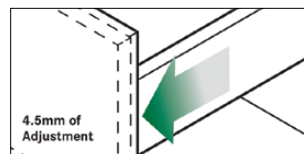
Code	List/ea
DP-CL-3D / CR-3D	\$ 1.09

Depth Adjuster: for Inset Drawers

- Gives +4.5mm forward adjustment
- Works with all DynaPro slides
- For narrow and standard width drawers



Inset depth adjustment
Snaps onto slide



Depth adjustment
(+4.5mm forward)

Code	List/pr
DP-I	\$ 5.04



UNDERMOUNT SLIDES

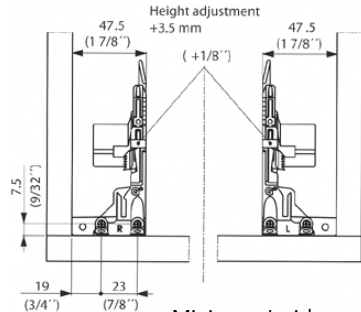
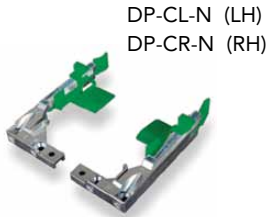


DYNAPRO CLIPS & BRACKETS

Continued from previous page

Narrow Front Clips

Optional



Minimum Inside
Drawer Width: 3-3/4"

Code List/ea
DP-CL-N / CR-N \$ 2.05

Eco 1D Front Clips

Optional

These economically priced clips offer simplified 1D height adjustability. No built-in side adjustment.

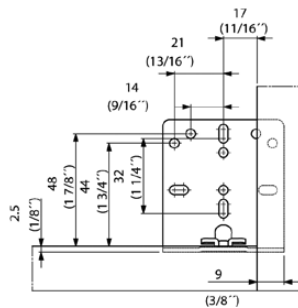


Code List/ea
DP-CL-1D / CR-1D \$ 1.40

DP-CL-1D (LH)
DP-CR-1D (RH)

Rear Mounting Brackets

Length: 2-13/16"
Height: 2-1/4", Width: 2"

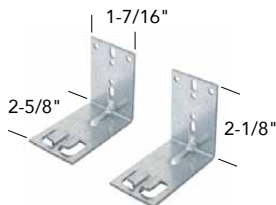


Code List/ea
7950 \$ 1.80

Narrow Rear Mounting Brackets

Optional

Narrow Rear Mounting Brackets for 12" to 21" DynaPro Slides. Non-handed.



Code List/ea
7951 \$ 1.70

1543

GRASS DYNAPRO UNDERMOUNTSLIDES

For 3/4" Material



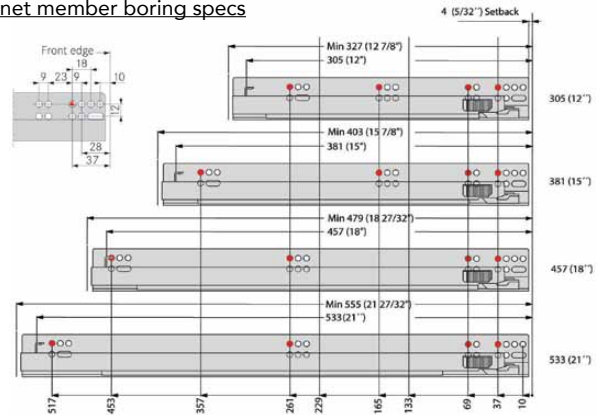
- Frameless application for 3/4" (19mm) drawer material

- Full extension with a synchronized mechanism
- Soft close damping system
- Maximum connection to drawer slide and front locking device
- Integrated adjustment for alignment
- Height adjustment + 3.5mm
- Side adjustment ± 1.5mm

3/4" Material - Calculation Outside Drawer Width

Drawer side thickness	19 (3/4")	18 (23/32")	17 (21/32")
Deduct from insid cab. width	11 (7/16")	13 (1/2")	15 (9/16")

Cabinet member boring specs



Packed: 5 pr/Ctn. Uses same clips and brackets shown on previous pages.

3/4" material - 100 lb Dynamic Load

Soft-Close, 2-D adjustment, for Frameless applications

Code	Description	Min Inst. Depth	List/pr
DP-34-12	12", 3/4" mat	12-7/8"	\$ 43.04
DP-34-15	15", 3/4" mat	15-7/8"	43.04
DP-34-18	18", 3/4" mat	18-27/32"	43.78
DP-34-21	21", 3/4" mat	21-27/32"	44.51

Heavy Duty for 3/4" material - 132 lb Dynamic Load

Soft-Close, 3-D adjustment, for Frameless applications

DP-34-18-HD	18", 3/4" mat	18-27/32"	73.67
DP-34-21-HD	21", 3/4" mat	21-27/32"	75.28
DP-34-24-HD	24", 3/4" mat	24-7/8"	83.44
DP-34-27-HD	27", 3/4" mat	27-7/8"	107.49



GRASS TIPMATIC TOUCH-LATCH

For "Push to Open" Conversion

- RH: 601223 (9" - 12")
101300 (15" - 21")
- LH: 600223 (9" - 12")
101301 (15" - 21")



Tipmatic touch-latch mechanism for DynaPro Slides. A customer with an existing soft-close DynaPro slide can v

Step 1.

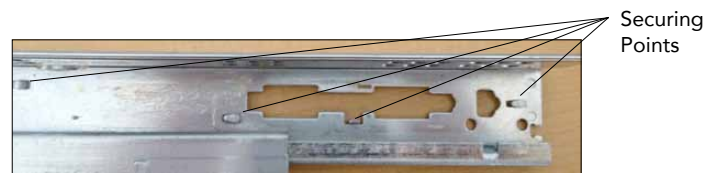
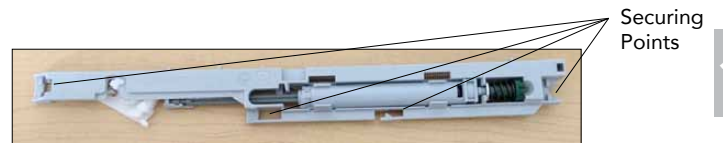
Remove existing soft-close mechanism. To remove, use a flat blade screw driver to release the side tab, and push forward on the entire mechanism.



Slide mechanism forward to release from holding tabs.

Step 2. Slide is now clear of soft-closing mechanism

Install Tipmatic mechanism (push to open). Properly installed, the mechanism is seated and locked with all four tabs, and locking tab is secure.



Code	Description	Ctn	List/ea
601223	RH Tipmatic for 9" - 12"	50	\$ 15.32
600223	LH Tipmatic for 9" - 12"	50	15.32
101300	RH Tipmatic for 15" - 21"	50	12.77
101301	LH Tipmatic for 15" - 21"	50	12.77

UNDERMOUNT SLIDES - SOFT CLOSE

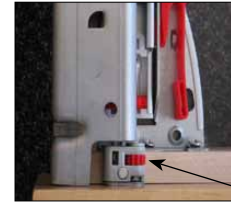
KING

KING SLIDE Advanced Design, Full Extension



1A68F

**75 lbs.
Dynamic**



Adjuster

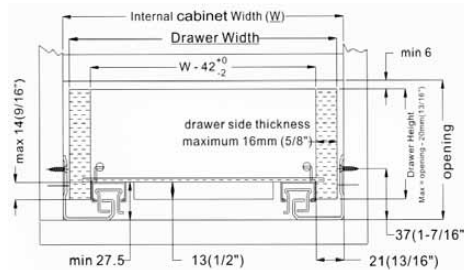
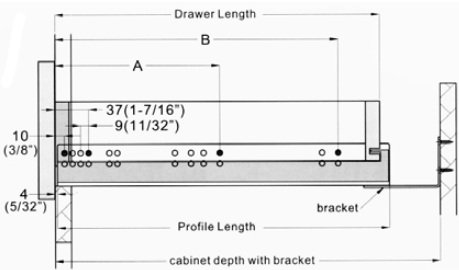
KC-I Adjustment Device
for Inset Drawers

Allows 3/16" 'out' adjustment

- Ultra smooth gliding motion, silent soft-close
- Light opening effort, full-extension
- Easy 3.5 height adjustment on drawer front
- Drawer fronts install at the vertical - no "shingling"
- 2" length of soft close action - early pick up
- "Drop in" sizes & std 32mm hole patterns
- ANSI/BHMA rated, tested to 100,000 cycles, Load Cap: 75 lbs.

Installation Specification

Space Requirement



1A68F Drawer Width Formula	
drawer side thickness	"W" minus
16 (5/8")	10 (3/8")
15 (19/32")	12 (15/32")
14 (9/16")	14 (9/16")
13 (1/2")	16 (5/8")
12 (15/32")	18 (23/32")

W: Internal cabinet Width

Example:

Internal cabinet Width = 457mm (18")

Drawer Side Thickness = 13mm (1/2")

Drawer width = 457 - 48 = 409mm
(18") - (1-29/32") = 16-3/32"

15

Drawer Length	Drawer Box Length	Overall Cab Depth	Cab Depth w/Brkt Max	Cab Depth w/Brkt Min	Profile Length
9"	9"	12"	-	-	10-1/16"
12"	12"	15"	14-9/16"	12-7/8"	12-1/2"
15"	15"	18"	17-9/16"	15-7/8"	15-1/2"
18"	18"	21"	20-9/16"	18-7/8"	18-1/2"
21"	21"	24"	23-9/16"	21-7/8"	21-1/2"
24"	23-5/16"	27"	-	-	-

Note: For King 24" slide, the mounting of the cabinet member on the edge panel is 37mm setback, using the second hole from the front of the cabinet member.

Some King Slide Advantages compared to Competition:

- 1) Height adjustment has little effect on drawer front angle (shingling)
- 2) No separate rear adjustment needed to prevent shingling
- 3) Soft close functions even if drawer is opened and closed rapidly
- 4) Tolerance for drawer width: +0/-2mm
- 5) Drawer depth tolerance: +1/-1mm

Packing: 6 sets/box. Full boxes only.
Front mounting clips and rear brackets included.

For 1/2" to 5/8" material

Code	Length	List/pr
1A68F-9	9"	\$ 35.98
1A68F-12	12"	36.10
1A68F-15	15"	36.10
1A68F-18	18"	36.80
1A68F-21	21"	37.49
1A68F-24	24"	40.55
KC-I	Adjustment device for Inset Drawers	5.16

SALICE

UNDERMOUNT SLIDES - PUSH



SALICE: PUSH SLIDE

Full Extension, Concealed Slide, Hands Free Opening

**A7557
Push**

Face Frame Friendly!

PUSH: This new opening system for drawers is fully integrated in the runner. A slight pressure on the drawer front allows the drawer to self-open, hands-free. No visible hardware.

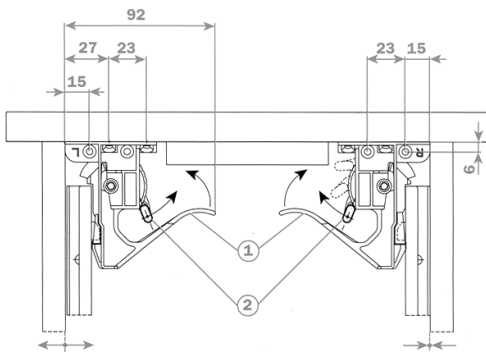
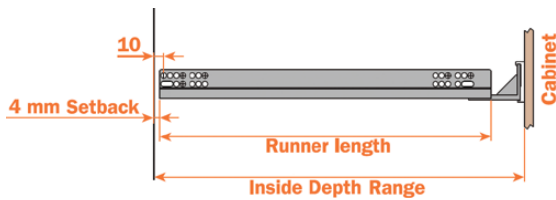
- Dynamic load capacity: 75 lbs.
- With Push opening system
- Drawer height adjustment (+3mm)
- Drawer is latched when closed
- Bright zinc plated finish

A7557 PUSH

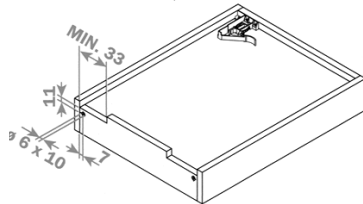
Face-Frame Friendly



Pack: 6 pr/box.



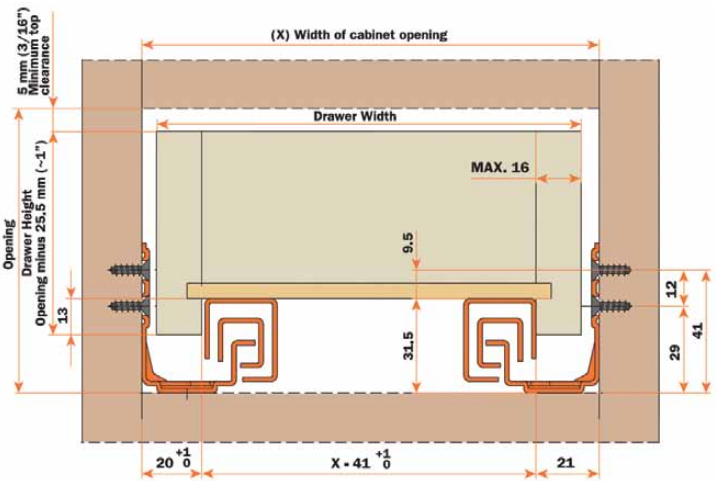
Internal drawer (view from below)



Pack: 6 pr/box.

Code	Drawer Length	Runner Length	Inside Cabinet Depth		List/pr
			Min*	Max*	
A7557-12	12"	315mm	12-13/16"	14-3/8"	\$ 29.55
A7557-15	15"	391mm	15-7/8"	17-7/16"	27.63
A7557-18	18"	467mm	18-7/8"	20-3/8"	31.68
A7557-21	21"	543mm	21-7/8"	23-3/8"	34.26
A710.610	Front Clips			100 pr/Ctn.	\$ 2.23
AGSKXC5	Metal Back Bracket			100 ea/Ctn.	.82/ea

* with metal bracket



Calculation Formula for Outside Drawer Width

For drawer side thickness of:	16mm (5/8")	15mm (19/32")	14mm (9/16")	13mm (1/2")	12mm (15/32")
Deduct from inside cabinet width:	9mm (3/8")	11mm (7/16")	13mm (1/2")	15mm (5/8")	17mm (21/32")

Example: For a 15" inside cabinet width and a 5/8" thick drawer, subtract 3/8" from the inside width of 15" = 14-5/8" drawer width.

UNDERMOUNT SLIDES - PUSH

KING

PUSH OPEN WITH SILENT SOFT CLOSE

Full Extension Undermount, Load Cap: 75 lbs.

**1A88
Push**



Press the Drawer Front



Mechanical Automatic Open,
Silent Soft Close

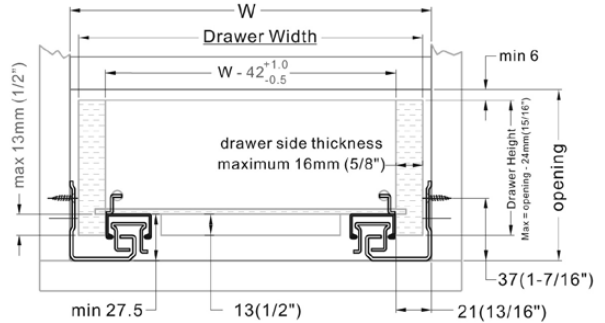
75 lbs. Dynamic

- Push-Open, Handle-Free:
Drawer springs open part way,
Pull open fully by hand
- Soft close damper
- All mechanical device, non-electric
- Safe, ergonomic and energy saving
- Undermount with full-extension travel length
- Drawer side thickness: 1/2" to 5/8" (16mm)
- Tool-less drawer height adjustment from the drawer front with 3.5mm range
- Easy assembly and removal of drawer with front release lever
- Dynamic load capacity of 75 lbs.
- Wide installation allowances for drawer width: +0/-2mm, and for drawer depth: +1/-1mm

Pack: 2 pr. /box, Full boxes only.

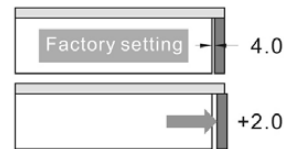
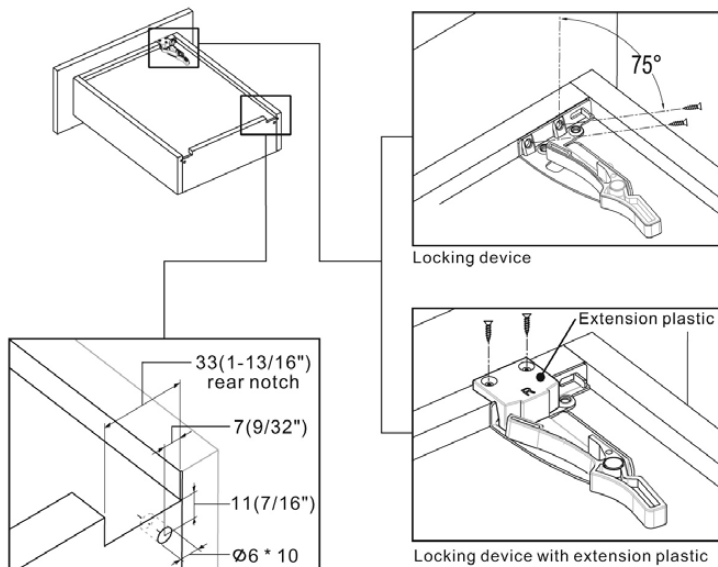
Code	Drawer Box Length	List/pr
1A88F-12	12", 305mm	\$ 126.80
1A88F-15	15", 381mm	135.09
1A88F-18	18", 457mm	139.27
1A88F-21	21", 533mm	147.56

Space Requirement



Installation Requirement

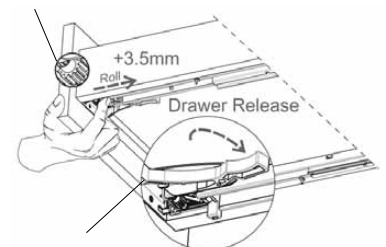
15



Drawer Face Clearance

Simply rotate the wheel at the front bottom of the drawer to adjust the drawer height

Tool-less Height Adjustment and Drawer Removal



Drawer Removal: Simply press the front release device to remove the drawer

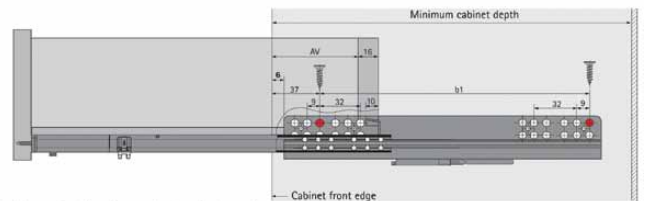
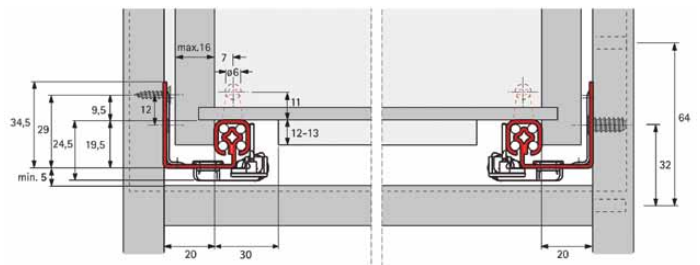
UNDERMOUNT SLIDES - PUSH

QUADRO P2.0 "PUSH TO OPEN" SLIDES



Full Extension
Push Quadros

Load Capacity: 66 lbs.



Stated dimensions are based on a 4mm gap between front panels. Dimensions must allow for the thickness of front-panel buffers.

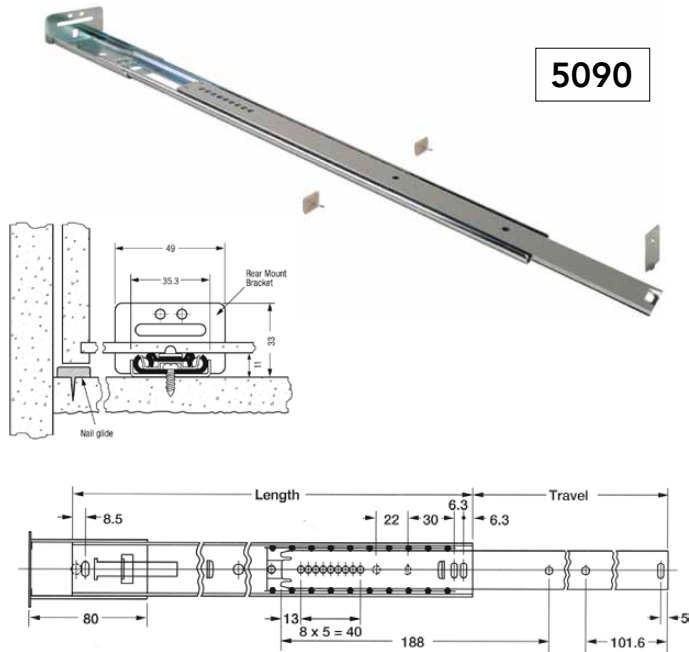
- Push to Open: The precision push-to-open mechanism automatically opens the drawer in virtual silence
- Load Capacity: 66 lbs. Dynamic Load
- Perfect vertical and lateral stability. Steel tracks with steel ball bearings for optimum control: precision guided runner action
- Slide-on installation, tool-less height adjustment on clip

Code	Drawer Length	Min Cab Depth	List/set
113570400	13" (320mm)	13.11" (333mm)	\$ 37.06
113581800	15" (380mm)	15.47" (393mm)	38.46
113570800	19" (480mm)	19.41" (493mm)	40.28

CENTER MOUNT SLIDES

FULTERER 5090 CENTER MOUNT SLIDE

Load Capacity: 50 lbs, 3/4 Extension



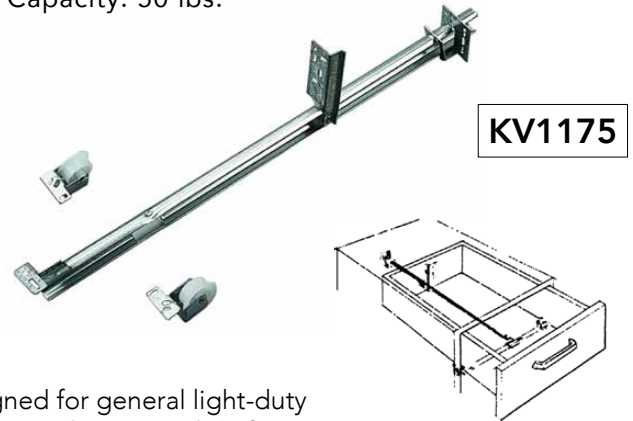
Material: Cold rolled steel
Ball-bearings: Steel
Load Capacity: Dynamic up to 50 lbs.
Color: Zinc Plated

Features:

- One or two slides under drawer with adjustable rear mounting bracket, drawer clip and two nail glides
- Easy friction disconnect
- Recommended for lighter duty applications

KV MONO-RAIL DRAWER SLIDE

Load Capacity: 50 lbs.



Designed for general light-duty drawer applications. Slide features side guide rollers for drawer stability.

Polybag: 10 pr/box with screws

Code	Size	List/ea
1175P-18	18"	\$ 8.49
1175P-20	20"	8.20
1175P-22-5/8	22-5/8"	8.37
1175P-24	24"	8.35

15

Code	Length	Travel	Cabinet Depth		Drawer Depth	
			From	To	From	To
5090-12	12.80	8.5"	13"	14.5"	10.5"	12.5"
5090-14	14.76"	10.5"	15"	16.5"	12.5"	14.5"
5090-16	16.732"	12"	17"	18.5"	14.5"	16.5"
5090-18	18.74"	12.5"	19"	20.5"	16.5"	18.5"
5090-20	20.906"	14.6"	21"	22.5"	18.5"	20.5"
5090-22	22.756"	16.5"	23"	24.5"	20.5"	22.5"

Plastic Sleeve Pack: 40 Sets/Ctn. No Screws

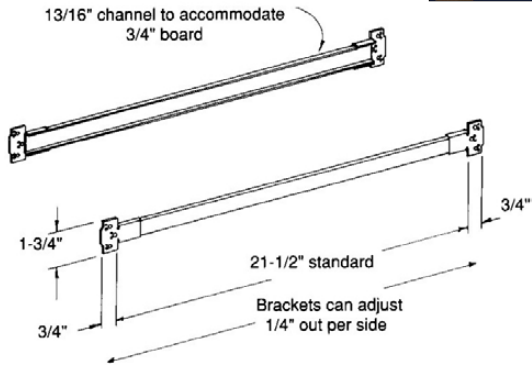
Code	12"	14"	16"	18"	20"	22"
5090-	\$ 6.43	6.62	6.99	7.35	7.86	8.41

BREAD BOARD SLIDES

HOUCK BREADBOARD SLIDES

Load Cap: 30 lbs/set

Each bracket may be moved out 3/8" for a total of 3/4" extension.



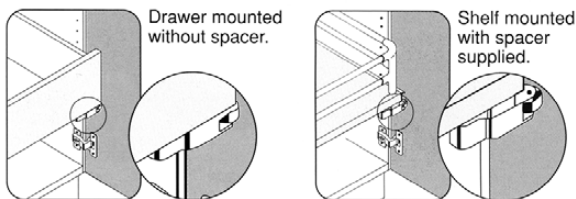
Side Mounted. 50 sets/Ctn. No broken cartons.

Code	Ctn	List/set
BB SLIDE	50 sets	\$ 7.02

CORNA

Slide Door Protector

Prevents damage to back of door by internal drawers and roll out shelves (suits all metal sided drawers). Only the soft wheel makes contact with the door during accidental misuse.

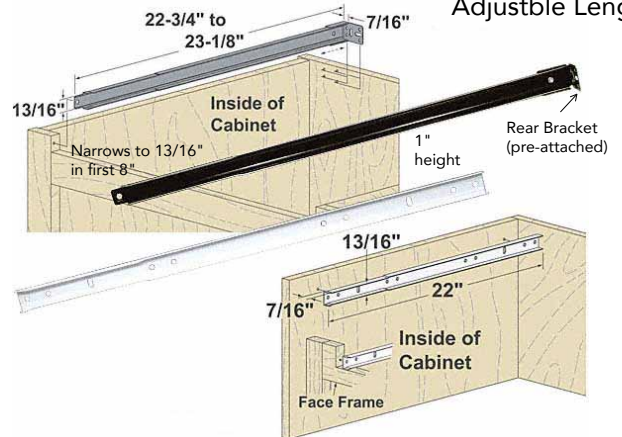


Set drawer/shelf minimum 8mm back from cabinet face edge.

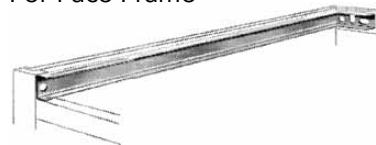
Code	Description	Ctn	List/ea
SDP	Slide Door Protection	50 ea.	\$ 3.66

VOGT BREADBOARD CHANNELS

No. 74
For Face Frame
Adjustable Length

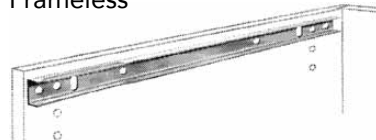


No. 70
For Face Frame



Pre-notched tail section secures to rear of cabinet. 22-3/4" length with bend at 22-3/4". Screws included (FHPH #7 X 7/16 coarse)

No. 80
Frameless



Channel length and screw hole location for frameless, metrically pierced side panels. Length: 22". Screws included (FHPH #7 X 7/16 coarse)

- Heavy gauge steel channels, epoxy coated
- Front of channel legs designed to prevent edge of leg from scarring board surface
- Channel section has full length ribs to prevent board scraping screw head or edge of channel

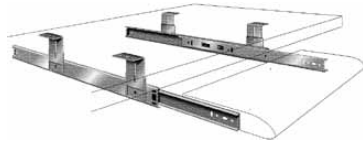
Pack: 20 pr/Ctn.

Code	Color	Function	List/pr
74BB-BL	Black	Faceframe	\$ 9.48
70BB-WH	White	Faceframe	8.32
80BB-WH	White	Frameless	9.08

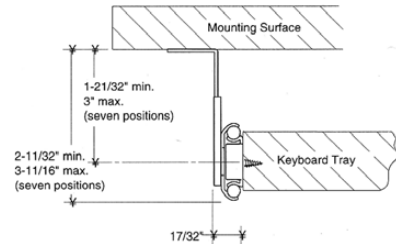
KEYBOARD SLIDES

KV 8150 KEYBOARD SLIDE

Adjustable Height, Load Cap: 75 lbs.



8150



- Tab Disconnect
- Hold-in/Hold out Detent

Height: Overall drop height is adjustable from 2-11/32" to 3-11/16" in 7/32" increments. Cabinet members must be mounted parallel to each other and perpendicular to case front.

Clearance: Width of slide with brackets in outboard position is 1-5/8" per side. Width of slide with brackets in inboard position is 5/8" per side.

Medium duty, 3/4 extension steel ball-bearing slide, with adjustable mounting brackets. 75 lb. load rating. Cabinet members mount to underside using adjustable brackets. Inner members mount to keyboard tray. Mounting brackets adjust to seven different heights and can be reversed for inboard or outboard mounting.

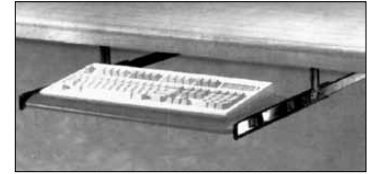
Cushioned in stops and out stops for quiet action. Friction detent for stay-close and hold-open. Tab disconnect. WIC Approved.

Polybagged w/ screws, 10 bags/Ctn.

Code	Description	List/pr
8150P-12	Anochrome, 12"	\$ 28.87
8150P-14	Anochrome, 14"	28.38
8150P-16	Anochrome, 16"	29.18
8150P-18	Anochrome, 18"	29.59
8150PEB-12	Ebony Black, 12"	29.75
8150PEB-14	Ebony Black, 14"	29.67
8150PEB-16	Ebony Black, 16"	30.51
8150PEB-18	Ebony Black, 18"	31.04
8150PEB-20	Ebony Black, 20"	33.25

KV / WATERLOO 4461D HEIGHT ADJUSTABLE KEYBOARD SLIDE

4461D



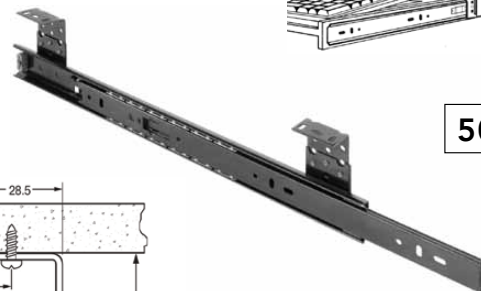
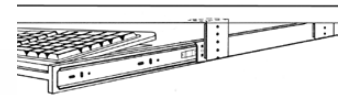
(Shown with 6501 tray)

Features precision ball-bearing slides and mounting brackets that allow three 1/2" height adjustments as well as inbound and outbound positioning supports. Slide length is 15" with 9-13/16" travel. Black in color. Meets BIFMA standards. Accepts 6500 series trays.

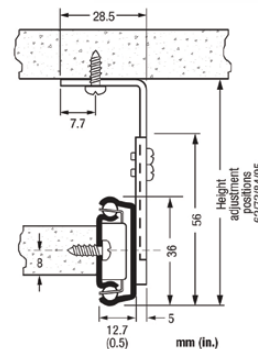
Code	Description	List/pr
4461D	Black Keyboard Slide, 15" with Height adjustment	\$ 41.92

FULTERER 5060

Load Cap: 75 lbs. Dynamic



5060



- Hold-in and Hold-out detent with positive out-stop.
- Four position adjustable mounting brackets vary height at 2.4", 2.83", 3.3" and 3.75".
- Tab disconnect is easy to use.

For computer keyboards and writing shelves. Has hold-in and hold-out detent. Smooth, all ball-bearing action. Four height positions with pre-tapped holes. Easy to use tab disconnect. Inboard/outboard bracket positioning. Available in zinc or black chromate.

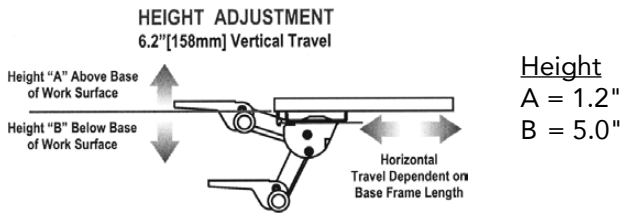
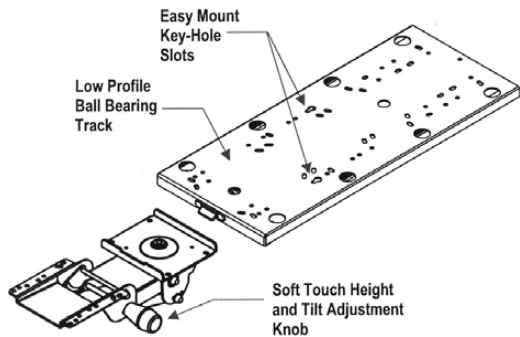
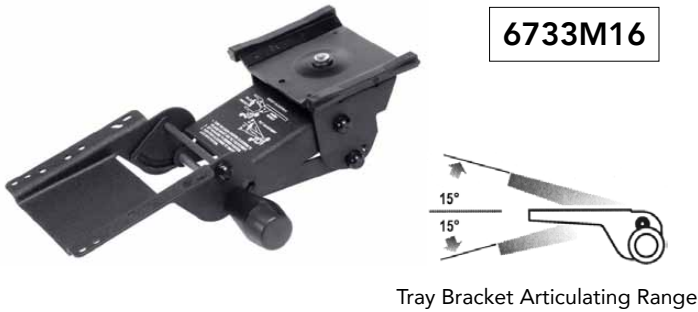
10 pr/box.

	12"	18"	20"
Zinc			
5060-	\$ 21.93	25.04	24.33
Black			
5060BL-	\$ 21.46	21.90	23.66

KEYBOARD ARMS

KV / WATERLOO KEYBOARD ARM

6733M16



The 6733M16 Keyboard Arm has an overall dimension of 7.5" W x 14.5" L. Low profile precision ball-bearing storage track is 16". Black in color. Load capacity: 100 lbs.

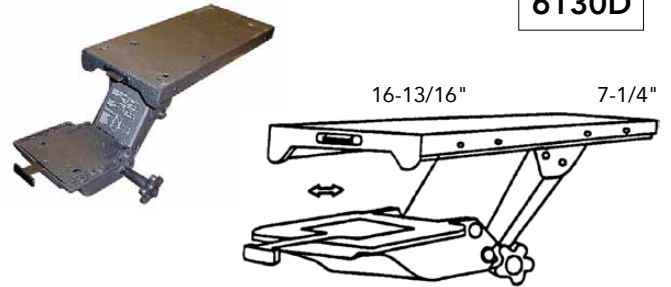
Features: Soft touch knob for simultaneous adjustment of both height and tilt. Spring assisted to help counterbalance keyboard tray weight. Low profile design for maximum leg room. 360° swivel allows user to move keyboard freely from side to side. Stores on a low profile ball-bearing track with universal mounting hole pattern. Includes universal tray mounting bracket and platform (tray) 6421D.

Code	Description	List/ea
6733M16	Keyboard Arm w/ Platform included	\$ 217.29

KV / WATERLOO FULLY ARTICULATED KEYBOARD ARM

With Height Adjustment Knob

6130D



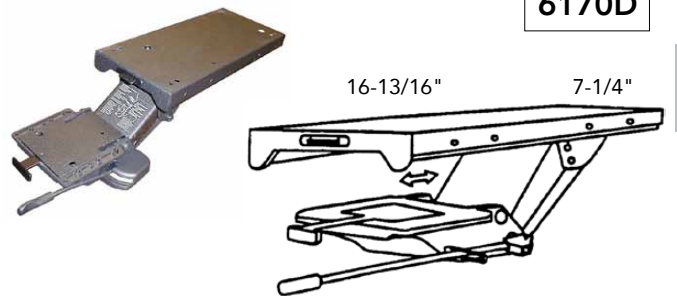
Low profile design. 6" Height Adjustment with knob control. 16-13/16" length ball-bearing slide storage feature. Hold-out lock. 15° Adj. Tilt: 10° forward, 5° backslope. Full 360° arm rotation. Accepts 6500 & 6200 series optional tray. Meets BIFMA standards. Black in color.

Code	Description	List/ea
6130D	Keyboard Arm w/ Height Adjustment Knob	\$ 153.65

KV / WATERLOO FULLY ARTICULATED KEYBOARD ARM

With Height Adjustment Lever Lock

6170D



All of the same features as the 6130D (above), except with lever height adjustment.

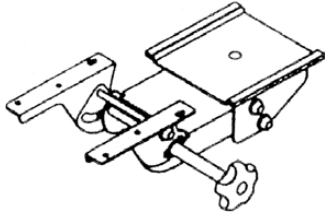
Code	Description	List/ea
6170D	Keyboard Arm w/ Lever Height Adjustment	\$ 190.50

KEYBOARD ARMS/TRAYS

COMPATIBLE KEYBOARD ARMS AND TRAYS

<p><u>Workrite Trays</u> C180, C181N, C180S, C185, C317, C321, 2180, 2181</p>	<p>all work with</p>	<p><u>Arms</u> 14915-2, 22805, 6130D, 6135D, 6170D, 6733M-16</p>
<p><u>KV/Waterloo Trays</u> 6501D</p>		<p><u>Arms</u> 4461D (Slide)</p>
<p>6421</p>		<p>6130D, 6170D, 6733M-16</p>
<p><u>Weber Knapp Trays</u> 14675-2BL</p>		<p><u>Arms</u> 14915-2, 22805</p>

WEBER KNAPP KEYBOARD SUPPORT ARM



22805

Fully Adjustable



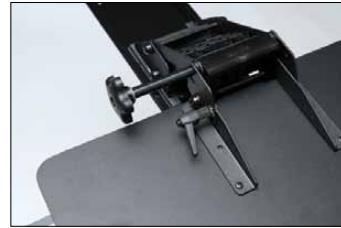
- Up/Down: 5-3/4"
- Tilt: +/- 15°
- 360° Rear Swivel
- Track: 17-3/4"

Single knob for tilt and height adjustment. Takes Workrite drill pattern. 32mm centers. Infinite adjustments between height and tilt range.

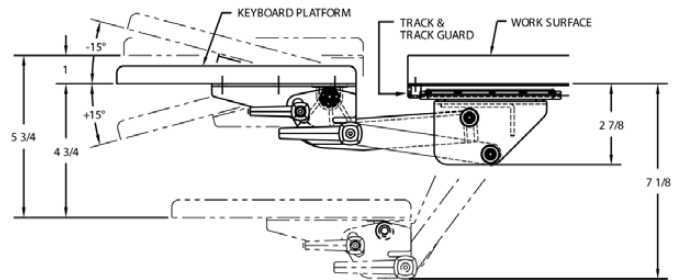
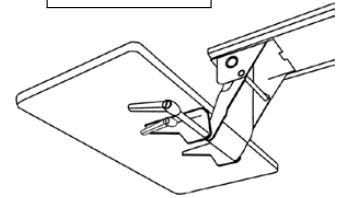
Code	Description	List/ea
22805	Support Arm, Black	\$ 88.76
14675-2BL	Keyboard Platform, Black	45.47

WEBER KNAPP KEYBOARD MICRO-ARM

Keyboard Support Mechanism



14915-2



This Retractable Keyboard Micro-Arm is compact, lightweight and easy to use. It features both height and tilt adjustment set by independent ratchet handles. Install the retractable Micro-Arm where the keyboard is only part of the workstation's function. Slides completely out of sight, swivels, lifts and lowers to the user's preference. Locks firmly into place. Single track design for simple installation.

- Up/Down: 5-3/4"
- Tilt: +/- 15°
- 360° Rear Swivel
- Track: 17-3/4"
- Rugged steel construction
- Black powder coat finish
- Mounting hardware and instructions included

Optional Keyboard Platform

Platforms are pre-drilled to mount securely to any Weber Knapp keyboard arm. Features wood construction with a durable, stain resistant black vinyl covering, providing a non-skid work surface.

14675-2BL



11" x 23" x 0.75" thick.

Code	Description	List/ea
14915-2	Retractable Mini-Arm	\$ 105.61
14675-2BL	Keyboard Platform, Black	45.47

KEYBOARD PLATFORMS

KEYBOARD PLATFORM W/ PALM REST

Workrite

C180



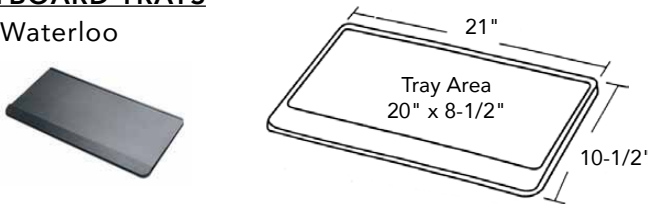
19" wide keyboard platform with comfortable built-in LeatherRite palm rest.

- a: 19"
- b: 2-1/2"
- c: 9"
- d: 11-1/2"

Code	Description	List/ea
C180	Keyboard Platform, Black	\$ 97.67

KEYBOARD TRAYS

KV/Waterloo



Made of durable molded polymer. Mounting holes provided.

6501D

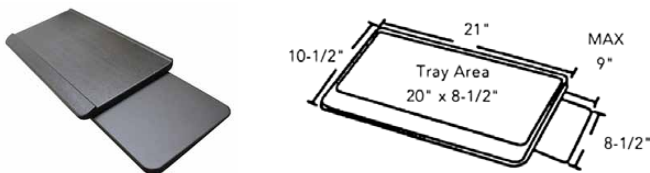
Size: 10-1/2" D x 21w" W.

Code	Description	List/ea
6501D	Keyboard Tray, Black	\$ 44.45

KEYBOARD TRAY w/ MOUSE TRAY

KV/Waterloo

6421D



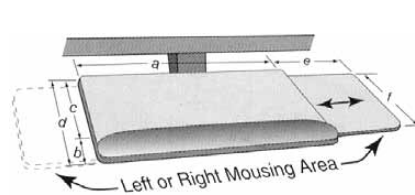
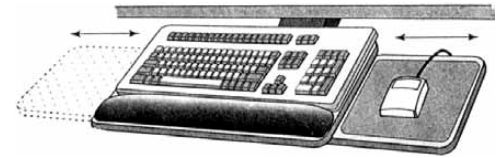
Keyboard Tray (plastic) with Sliding Mouse Tray (hard polymer MDF). Mouse tray slides left or right. For use with 5900 & 6100 Series Keyboard arms.

Code	Description	List/ea
6421D	Keyboard Tray w/ Mouse Tray, Black	\$ 80.09

KEYBOARD PLATFORM w/ MOUSE TRAY

Workrite

C180S



- a: 19"
- b: 2.62"
- c: 8.88"
- d: 11-1/2"
- e: 8-3/4"
- f: 9-1/4"

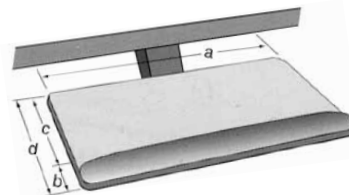
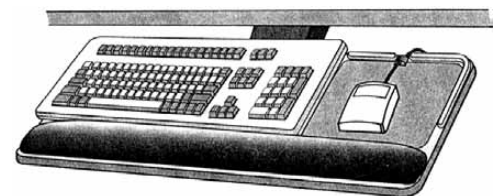
Combines a 19" platform with padded LeatherRite palm support and a generous slide-out mouse tray for RH or LH hand use.

Code	Description	List/ea
C180S	Keyboard Tray w/ Mouse Tray, Black	\$ 201.78

KEYBOARD/MOUSE PLATFORM W/ REST

Workrite

C185



- a: 19"
- b: 2-1/2"
- c: 9"
- d: 11-1/2"

Combination Keyboard/Mouse platform with comfortable padded LeatherRite palm support.

Code	Description	List/ea
C185	Keyboard/Mouse Tray, w/ palm support, Black	\$ 159.10

15



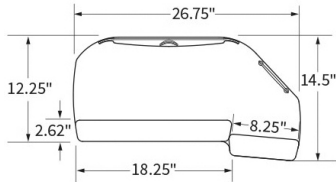
KEYBOARD PLATFORMS

REVERSIBLE CORNER PLATFORMS

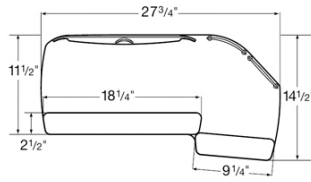
Workrite



C317



C321



Designed to fit 17" or wider (C317) and 21" or wider (C321) diagonal corners. Mouse forward design. Comfortable palm rest. Platform reverses for RH or LH mousing. Black.

Code	Description	List/ea
C317RL	17" corner fit, Black in color	\$ 173.92
C321RL	21" corner fit, Black in color	170.52

LeatheRite™ Palm Supports

LeatheRite looks and feels like soft, glove leather. It has the durability and stain resistance of synthetic fiber.

Palm supports are hand upholstered over a comfortable foam rubber cushion.

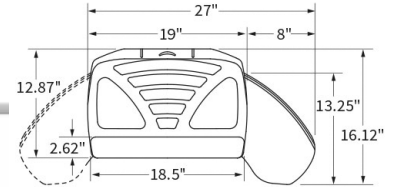
LeatheRite gives all season comfort. Its porous structure allows the material to breathe through billions of tiny micro-pores. In warm weather heat is dissipated and in cold weather it is retained.

LeatheRite is tear-proof and puncture resistant. The color is part of the material and will not fade over time.

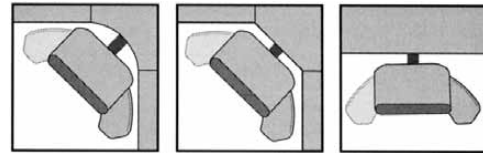
LeatheRite can be cleaned with either soap and water or a disinfectant in health care environments.

WORKRITE BANANA-BOARD PLATFORM

2180S



Slideout mouse tray has Mouse-Forward™ position. Allows mouse operation on left or right. Board thickness only 5/8". Integral "Mouse-Trap" keeps mouse in place when using negative tilt.



Curved Corners Diagonal Corners Straightaways

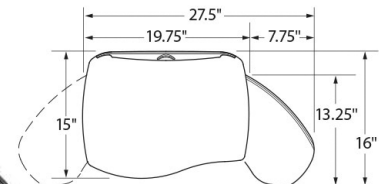
Choose from black LeatherRite™ or JelRite™ Fill Suede. Predrilled for KV/Waterloo & Weber-Knapp, with fasteners included.

Code	Description	List/ea
2180S-J*	JelRite Suede™ Platform	\$ 221.79
2180S-L	LeatheRite™ Platform	270.87

WORKRITE BANANA-BOARD PLATFORM

For "Microsoft™ Natural" or "Natural Elite" Keyboards

2181SN



Slideout mousetray has Mouse-Forward™ position. Allows mouse operation on left or right. Board thickness: 5/8". Integral "Mouse-Trap" keeps mouse in place when using negative tilt. Fits straightaways or the following corners: 12" or wider diagonal, or 12" or larger radius 90° corners. Black.

Code	Description	List/ea
2181SN	Platform for "Natural Keyboards", Black	\$ 197.18

KEYBOARD ARMS

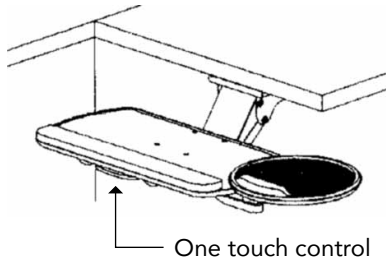
KV KEY-1 AND 2KEY-3 KEYBOARD ARMS

The Key-1 and 2Key-3 each feature the following:

- Knob free one touch control for both height & tilt adjustment, Dual Paddle on 2Key-3
- 6" (standard) or 9-3/4" (extended) of height adjustment (extended up to 1" above the worksurface)
- 15° +/- tilt; 30° total range
- Positive Tilt Lock-Out Kit Option
- 18" track length (13" of in/out adjustment)
- 24" Track on 2Key-3
- 360° Swivel
- EZ Slide System
- Cable management system
- User guide permanently affixed
- All metal construction
- Black powder coat finish
- Surpasses ANSI/BIFMA
- Patent Pending



KEY-1 KEYBOARD ARM/TRAY COMBO



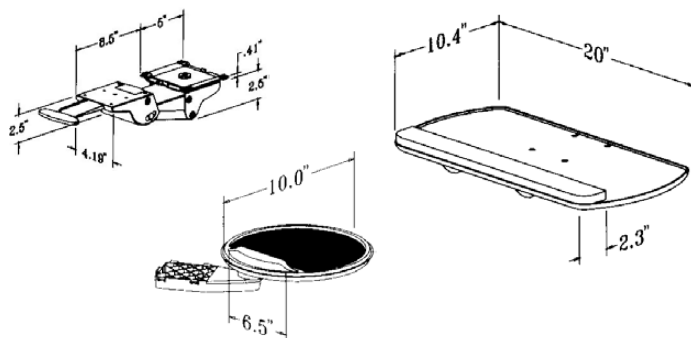
KEY-1
List/ea
\$ 304.29

Platform

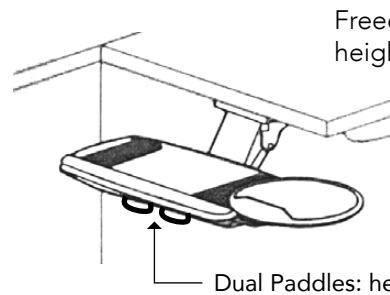
- Comfort Plus™ Keyboard Platform
- Non-skid pads to prevent keyboard movement
- Snag-free, comfort contoured underside
- Injection molded construction (Black)
- 18" Gel Wrist Rest

Mousing

- Independent Tilt and Swivel mouse tray provides infinite range of positioning for use in various corner applications
- Swivels over keyboard for tight under desk storage
- Interchangeable for left or right hand use (no tools required)
- Integrated Gel wrist rest/mouse pad



2KEY-3 KEYBOARD ARM/TRAY COMBO



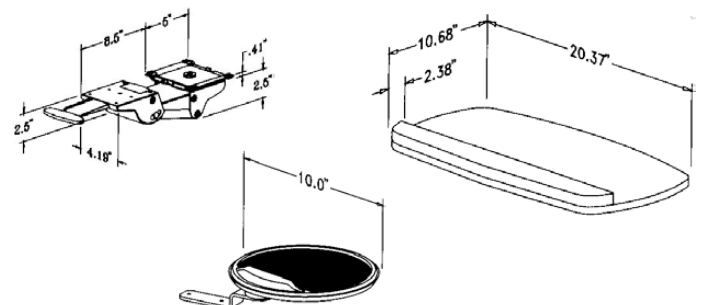
2KEY-3
List/ea
\$ 351.47

Platform

- Universal Platform for standard, Microsoft Natural™ and Microsoft Elite™ keyboards
- Non-skid pads to prevent keyboard movement
- Solid polyethylene construction
- 18" Gel Wrist Rest

Mousing

- Independent Tilt and Swivel mouse tray provides infinite range of positioning for use in various corner applications
- Swivels over keyboard for tight under desk storage
- Interchangeable for left or right hand use (no tools required)
- Integrated Gel wrist rest/mouse pad
- Cable management system



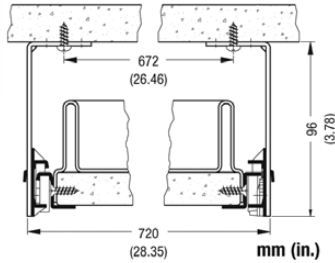
KEYBOARD TRAYS

FULTERER FR1601 KEYBOARD TRAY & SLIDE SET



Set Includes:
1 Tray, Mounting brackets, 1 pair of slides, hardware and instructions.

FR1601



Features:

- Keyboard tray pull-out can be used for all flat keyboard designs
- Easy to add to existing furniture
- Roller drawerslide with 6 pull-out stops when extended
- User-friendly
- Screw-mount brackets permit installation under any work surface
- Overrun clip incorporated into cabinet profile prevents pull-out from accidentally coming out
- Slotted back for ease of cable management
- Extra width of keyboard tray allows mouse to be used LH or RH
- Pencil compartment at rear of tray
- Gel wrist support included

Material: Drawerslides: powder coated epoxy
Tray: plastic
Tray Insert: particle board

Bearing Material: Cabinet profiles with nylon rollers
Drawer profiles with nylon rollers

Load Capacity: Dynamic up to 75 lbs.

Mounting: Top

Colors: Black

Dimensions

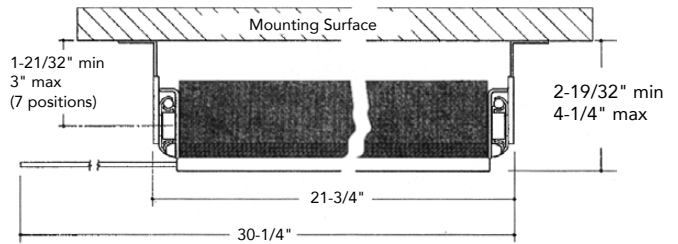
720mm (28.35") W x 380mm (14.96") D x 96mm (3.78") H

Code	Description	List/ea
FR1601	Keyboard Slide & Tray Set	\$ 106.90

KV 5710 KEYBOARD / MOUSE TRAY & SLIDE SET



KV5710



Keyboard tray has 3/4 extension slide, cushioned wrist rest and mouse-pad tray. Tray lock-in and lock-out. Precision steel ball-bearing movement. Metal ball retainer holds 3 steel ball-bearings per inch of race. Keyboard tray and mouse tray are cold rolled steel. 7-position mounting brackets allow for installation at a variety of heights.

Cushioned wrist rest is adjustable to 5 different angles. Built-in mouse-pad tray can be accessed by left or right-handed users. The tray accepts standard rubberized mouse pads which may be permanently attached and stored inside when the tray is closed. Black finish.

Min. mounting space required: 24" w/ brackets mounted outboard, 22" w/ brackets mounted inboard
Load rating: 75 lbs Class (BHMA, KCMA & BIFMA applications)

Overall drop height: adjustable from 2-11/32" to 4-1/4"
Tray size: 21-1/4" W x 11-1/4" D
Total Depth including Slide: 19"
Mouse Tray Extension: 8-1/2"

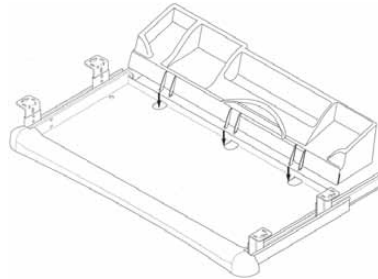
Code	Description	List/ea
5710	Keyboard/Mouse Tray & Slide set	\$ 172.40



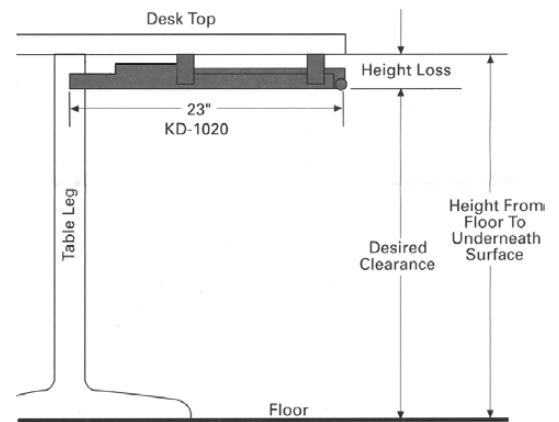
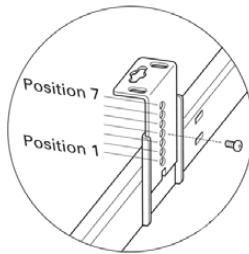
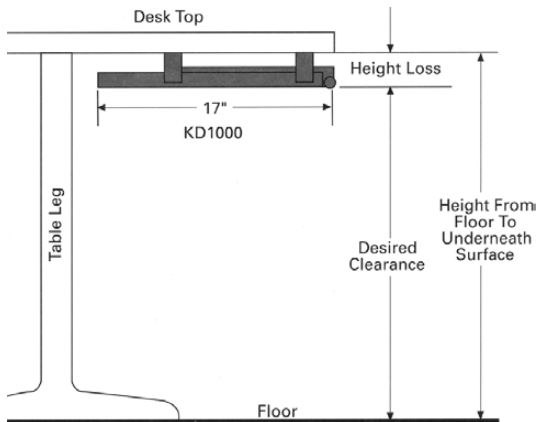
KEYBOARD DRAWERS



KD1000



KD1020



Brackets mount in "outboard" position under work surface for application widths 29" or greater, and in the "inboard" position for widths greater than 26.75".

Height Adjustment: 7 positions 2.25" - 3.60"
 Height Loss Under Surface (inches): 7 positions 2.43 - 3.78
 Minimum Space Requirements: 28" wide x 17" deep x 2-1/2" high
 Tray Size (inside): 25.75" x 10".
 Load Capacity: 75 lbs. Finish: Black.
 Action: Steel ball-bearing slides with lockout.
 Slide Travel: 11-7/8"

Cushioned Lycra Gel wrist rest is 28-3/4". Plastic bumper wraps around the front edges of drawer. There is an integral ambidextrous mousing surface inside tray.

Code	Description	List/ea
KD1000	Keyboard Drawer	\$ 139.51

Brackets mount in "outboard" position under work surface for application widths 29" or greater, and in the "inboard" position for widths greater than 26.75".

Height Adjustment: 7 positions 2.25" - 3.60"
 Height Loss Under Surface (inches): 7 positions 2.43 - 3.78
 Minimum Space Requirements: 29" wide x 23" deep x 2-1/2" high
 Tray Size (inside): 25.75" x 10" (+ 5" Accessory Tray).
 Load Capacity: 75 lbs. Finish: Black.
 Action: Steel ball-bearing slides with lockout
 Slide Travel: 15-7/8"

Cushioned Lycra Gel wrist rest is 28-3/4". Plastic bumper wraps around the front edges of drawer. There is an integral ambidextrous mousing surface inside tray. KD1020 includes a 25" x 5" accessory tray with extended slides.

Code	Description	List/ea
KD1020	Keyboard Drawer with Accessory Tray	\$ 174.36

Note: KV keyboards provide more knee space, since they are almost 2" thinner. They will also fit into narrower width openings. The 1020 comes with an accessory tray with extended slides.

KEYBOARD TRAYS

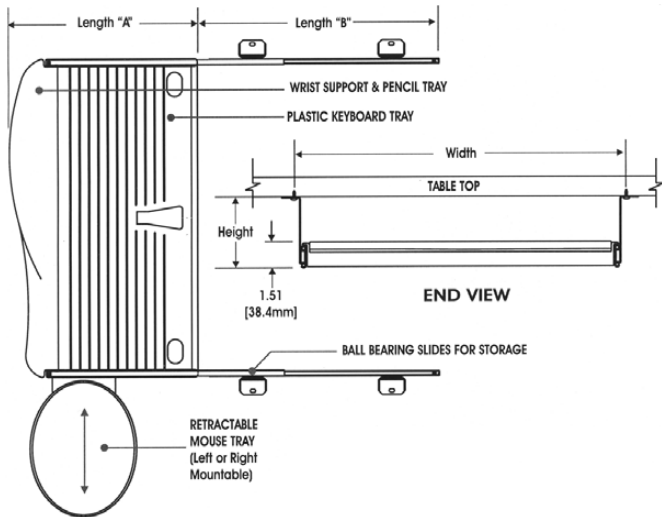
COMPUTER HARDWARE

KV / WATERLOO HIDE N' SLIDE KEYBOARD TRAY



C400

Height: 4"
Width: 20.6" plus
mousetray 9.8"
Length: A = 12.2",
B = 15"



Black polymer Keyboard Tray with steel drawer slides.

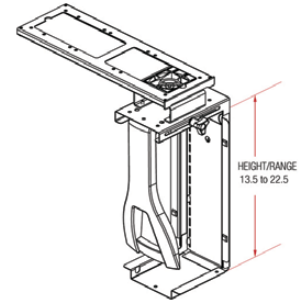
Features: Two low friction ball-bearing slides for installation and storage below work surface. Pull-out mouse tray (mountable left or right). Palm rest/pencil and pen compartment. Keyboard platform accommodates standard and ergonomic shaped keyboards. Load rating: 100 lbs.

<u>Code</u>	<u>Description</u>	<u>List/ea</u>
C400	Keyboard Tray w/ slides	\$ 61.03

KV / WATERLOO CPU HOLDER



7351D



Vertically mounts to the underside of work surface or to an end gable. Self-locking, ratchet style storage device. 16 gauge steel construction. Supports up to 85 lbs. Black finish. 360° swivel.

Height adjustment: 13.5" - 22.5"
Width adjustment: 3.5" - 9.3"

<u>Code</u>	<u>Description</u>	<u>List/ea</u>
7351D	CPU Holder	\$ 135.24

KV / WATERLOO PALM REST



6270D

Made of soft, rounded, molded foam. Neutral black finish. Ergonomically designed. With bracket and hardware. Fits 6500 & 6200 Series trays.

<u>Code</u>	<u>Description</u>	<u>List/ea</u>
6270D	Black Palm Rest	\$ 26.49

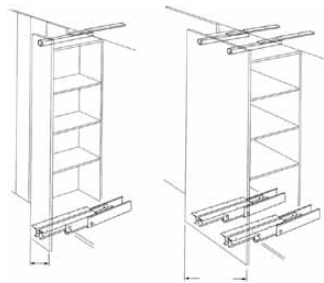
PANTRY SLIDES

FULTURER FR771 HEAVY DUTY PANTRY SLIDE

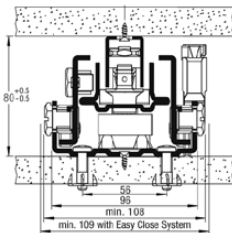
For Wood Pull-Outs, Full extension, Progressive Action
Integrated Easy Close Device, Load Capacity: 275 lbs.



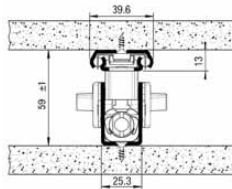
FR771
275 lbs.



For cabinets taller than 72" (1800mm)
Up to 18" (450mm) width one slide is recommended. Over 18" width two slides are recommended.



bottom slide



top slide

Material: Powder coated cold rolled steel
Bearing material: High-grade Delrin roller ball-bearings
Load capacity: Dynamic up to 275 lbs. per slide set
(2 slide sets = 550 lbs.)

Low height profile. Easy Close Device (ECD) integrated (top and bottom slide). "Clean" appearance. Smooth and quiet progressive movement. Patented middle profile counteracts any deflection when loaded. Horizontal and parallel end position without play. Top adapter plate for wooden platform attachment.

Applications: pantries, archives, tool storage, home entertainment systems, etc.
One set = One slide with one top guide.

Code	Size	Ext. Loss	List/set
FR771-575	22-5/8"	12mm	\$ 327.93

FULTURER FR777 HEAVY DUTY PANTRY SLIDE

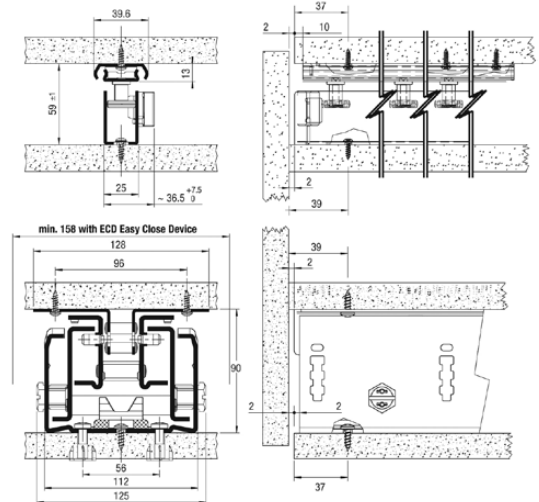
For Wood Pull-Outs, Full extension, Progressive Action
Load Capacity: 450 lbs.



FR777
450 lbs.

Super Heavy Duty Pantry Slide. Good for any massive weight storage, including wide TV or to pull an entire entertainment cabinet out of the wall to access connections. Easy Close device (ECD) is available (order separately).

Full extension with no deflection noiseless movement, back stop, integrated lateral and height adjustment, 32mm system capability and sealed bearings – no lubrication needed. Top guide insures absolute lateral stability. LGA tested according to DIN 4554 standard at 50,000 cycles. Steel, white powder coated.



Code	Description	List
FR777-500	Pantry Pull-Out, 20" (500mm)	\$ 468.69
FR777-550	Pantry Pull-Out, 22" (550mm)	498.64
FR3430	Soft-Close Device	130.20

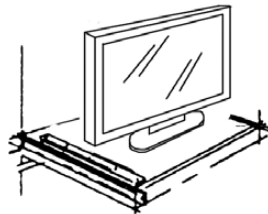
PANTRY SLIDES

KV 8000 PULL-OUT PANTRY/TV SLIDE

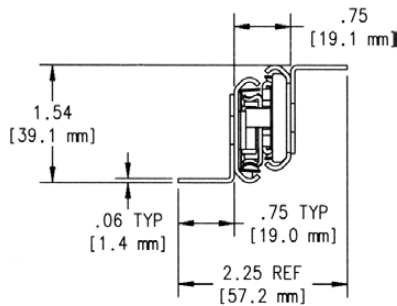
Load Capacity: 130 lbs/pr.

8000

130 lbs.



Use as a TV Pull-Out Slide



Can be used for pull-out pantries in kitchens, TV shelf or other entertainment components. Mounts under shelf and can be completely concealed with shelf skirt. Features removable brackets that allow for fast and easy installation.

Has closed position hold-in detent. Has over-travel for door clearance. Positive stop in extended position.

Clearance: 3/4" Slide only, 2-1/4" with brackets.

Load Capacity: 130 lbs/pr.

Travel: Slide Length + .83"

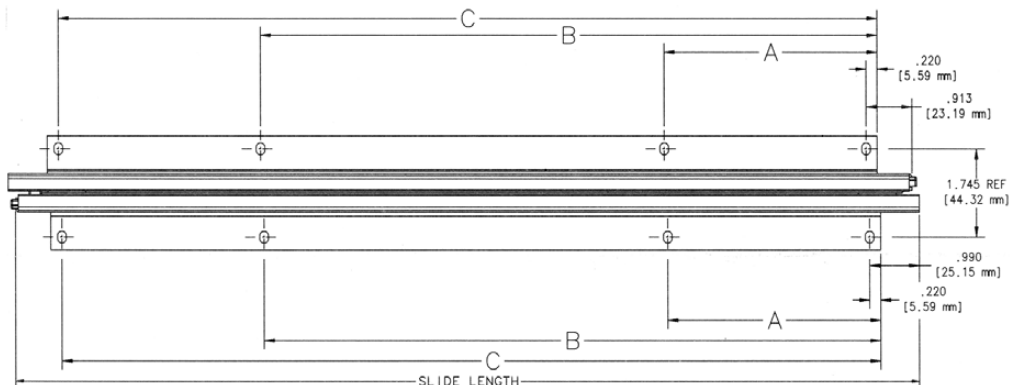
Height: 1.54" Finish: Anochrome

Action: Telescopic

Code	Travel	Ctn	List/pr
8000P-12	12.83"	5 pr.	\$ 67.89
8000P-14	14.83"	5	69.31
8000P-16	16.83"	5	70.05
8000P-18	18.83"	5	68.79
8000P-20	20.83"	5	69.80
8000P-22	22.83"	5	74.43
8000P-24	24.83"	5	76.61
8000P-26	26.83"	5	79.80
8000P-28	28.83"	5	83.40

Slide Length	Slide Travel	A	B	C
12.00	12.83	4.00	6.00	10.00
14.00	14.83	4.00	8.00	12.00
24.00	24.83	7.00	15.00	22.00
26.00	26.83	7.00	17.00	24.00

Note: Mounting holes, slide height, slide width, slide travel and weight capacity match the 301-2590 exactly.



SHELF SLIDES

SALICE SHELF SLIDE

Soft Close, Full Extension

- Dynamic load cap: 66 lbs.
- Soft Closing



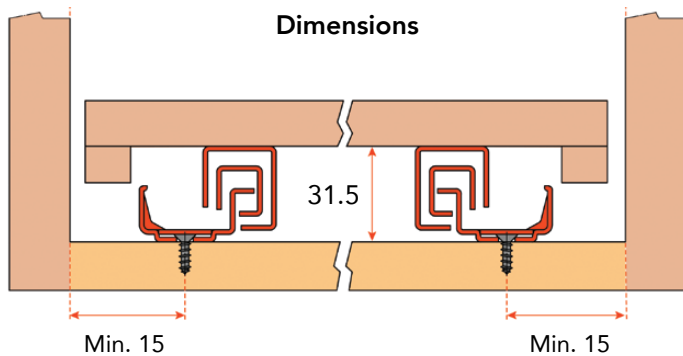
- Safety system that prevents the shelves from turning over
- A710 clip: Shelf height adjustment +2.5 mm
- A750 clip: Shelf height adjustment +2.5 mm, side adjustment ±1.5 mm, depth adjustment ±2 mm
- Finish: bright zinc-plated

825650000 Support



Support for the rear hook

With shelves of reduced thickness (MDF or particle board), min.12 mm, the runner can be used together with the support for the rear hook, thus eliminating the need for the rear hole in the shelf.



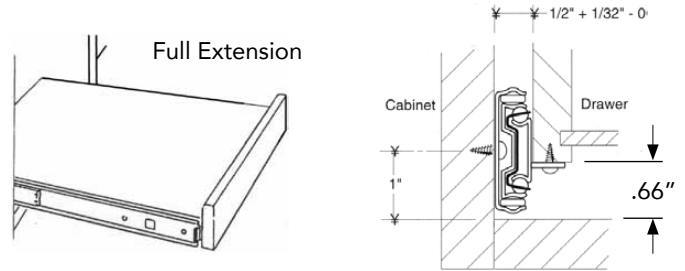
Code	Description	Ctn	List
A65559-18	18" Shelf Slide	20	\$ 41.15/pr
A65559-20	20" Shelf Slide	20	42.08
A65559-22	22" Shelf Slide	20	43.00
A710.610	Front Clips	100	2.23
A750.010	Front Clips w/ 6 way adjustment	100	6.64
825650000	Rear Hook Support	200	.33/ea

KV 8407 PULL-OUT SHELF SLIDE

Full Extension, Load Capacity: 100 lbs.



8407
100 lbs.



- 32mm hole pattern
- Tab disconnect for easy drawer removal
- Ball retainer latch and ramps for easy drawer insertion
- Flexible mounting tabs self-adjust to side clearance
- 3 ball-bearing per inch of race
- Polymer stop cushions

Mounting Bottom and side-mountable in frame and frameless construction. Tray or drawer sits on shelf tabs and is secured with screws.

Height 1-13/16" (1.8")

Side Clearance 1/2" plus 1/32" minus 0" each side

Load Rating 100 lbs.

Finish Anochrome (bright zinc chromate electro-plated with a laquer top coat)

Action Telescoping, full-extension on precision steel ball-bearings. Tray or drawer sits on shelf tabs and is secured with screws.

Pack: 10 pr/Ctn. (Screws not included)

Code	12"	14"	16"	18"
8407B-	\$ 24.50	24.53	24.69	25.49
	20"	22"	24"	
	26.40	27.31	28.26	

15

FLIPPER SLIDES

KV 8071/8072 - FLIPPER SLIDES

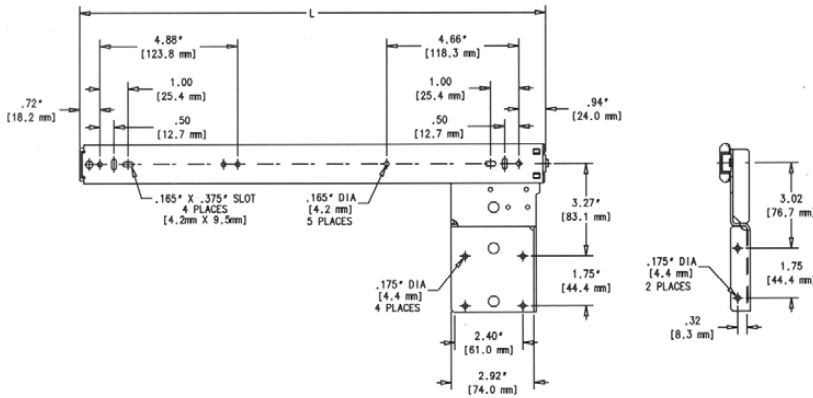
Load Capacity: 30 lbs, Follower strip attached after slides are mounted in case.

8071 - No Hinges, Black Finish
8072 - With Hinge Baseplates, Black Finish



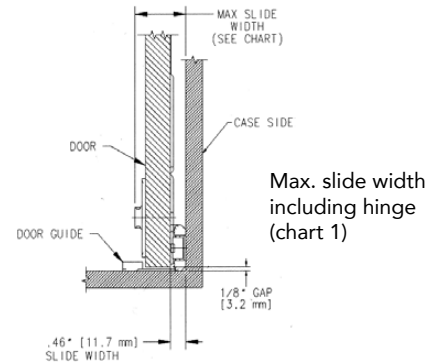
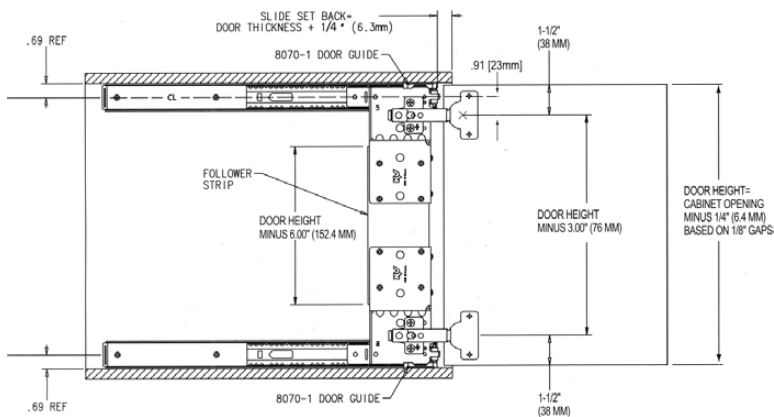
Size	Length	Slide Travel	Approx. Door Conceal	Approx. Cab Depth
12	12-1/8"	7.46"	8"	12-3/8"
14	14-1/8"	9.46"	10"	14-3/8"
16	16-1/8"	11.46"	12"	16-3/8"
18	18-1/8"	13.46"	14"	18-3/8"
20	20-1/8"	15.46"	16"	20-3/8"
22	22-1/8"	17.46"	18"	22-3/8"
24	24-1/8"	19.46"	20"	24-3/8"

Dimensions



- Follower strip may be attached after slides are mounted in case.

Installation



Hinge Options	Hinge Description	Door Thickness	Edge Bore Distance (DBE)	Hinge Cup Bore Dia.	Maximum Slide Width Including Hinge For Partition Installations	Partial Overlay
8080 SEB	Standard hinge	3/4" (19mm)	1/4" (6mm)	1-3/8" (35mm)	1-23/32" (43.7mm)	N/A
8080 FEB	Standard hinge w/free swing knuckle	3/4" (19mm)	1/4" (6mm)	1-3/8" (35mm)	1-23/32" (43.7mm)	N/A
8080 L	Overlay Door	3/4" (19mm)	7/16" (11mm)	1-37/64" (40mm)	1-23/32" (43.7mm)	13/32" (10.3mm)
8085 TEB	Thick Door	1" (25.4mm)	5/16" (8mm)	1-37/64" (40mm)	2-3/32" (53.2mm)	N/A
8086 X	Extra Thick Door	1-1/4" (32mm)	1/2" (12.7mm)	1-37/64" (40mm)	2-13/32" (61mm)	N/A

FLIPPER SLIDES

KV 8071/8072 POCKET DOOR SLIDES

Load Capacity: 30 lbs.

Mounting	Mounts directly to cabinet side.
Load Rating	30-Pound Class
Max. door dimensions	42" H x 24" W
Finish	Ebony Black (EB) - Black. Zinc chromate electroplated with laquer top coat.
Action	Progressive movement on precision steel ball-bearings.

- Slides have been designed so that they index to cabinet top and side. Installer need only set back the slides 1/4" more than door thickness
- Follower strip bracket has been designed to allow the follower strip to be installed after slides are installed
- Metal ball retainer holds three bearings per inch of race for smooth and quiet operation
- Multiple hinge options allow for a wide variety of door applications - Inset, Free Swing, Overlay, Thick, and Extra-Thick

Salice Hinges for 8071 Flipper

CFA7G99 -	3/8" Overlay
C2P7G99 -	Inset
CFA5P99 -	Inset, Thick Door
BAR3R09 -	Plate

Hinge Kits for 8072 Flipper Slides: Black Grass Hinges

Two hinges with screws per bag.

Order one bag for each door.

<u>Code</u>	<u>Description</u>	<u>List/bg</u>
8080HKEZSEB	3/4" Thick Inset door (most common)	\$ 12.93
8080HKEZFEB	3/4" Thick Inset door, Free-Swing	17.49
8080HKEZLEB	3/4" Thick Inset door, Partial Overlay, 40mm cup	18.80
8085HKEZTEB	1" Thick Inset door, 40mm cup	17.04
8086HKEZXEB	1-1/4" Thick Inset Door, 40mm cup	19.69

KV 8072 - With Baseplates

The 8072 includes two baseplate mounting locations to accommodate inset or overlay. Polybagged with screws. Black finish. Must order hinge kits separately. (See bottom left column)

Pack: 10 pr/Ctn.

<u>Code</u>	<u>Slide Length</u>	<u>Travel</u>	<u>List/pr</u>
8072PEB-12	12-1/8"	7.46"	\$ 40.27
8072PEB-14	14-1/8"	9.46"	39.17
8072PEB-16	16-1/8"	11.46"	41.40
8072PEB-18	18-1/8"	13.46"	40.55
8072PEB-20	20-1/8"	15.46"	42.63
8072PEB-22	22-1/8"	17.46"	41.58
8072PEB-24	24-1/8"	19.46"	43.82

KV 8071 - Without Baseplates or Hinges

The KV 8071 is exactly the same as the 8072 except it does not come with baseplates. Order 2 ea. hinges and 2 ea. plates per pair of slides. (See left column for hinges and plates) Black finish.

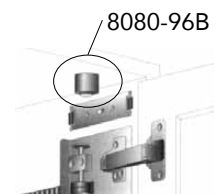
Pack: 10 pr/Ctn.

<u>Code</u>	<u>Slide Length</u>	<u>Travel</u>	<u>List/pr</u>
8071PEB-12	12-1/8"	7.46"	\$ 37.41
8071PEB-14	14-1/8"	9.46"	38.04
8071PEB-16	16-1/8"	11.46"	38.74
8071PEB-18	18-1/8"	13.46"	39.54
8071PEB-20	20-1/8"	15.46"	41.37
8071PEB-22	22-1/8"	17.46"	40.34
8071PEB-24	24-1/8"	19.46"	40.92

KV ROLLERS for 8071/8072



8090P-CR



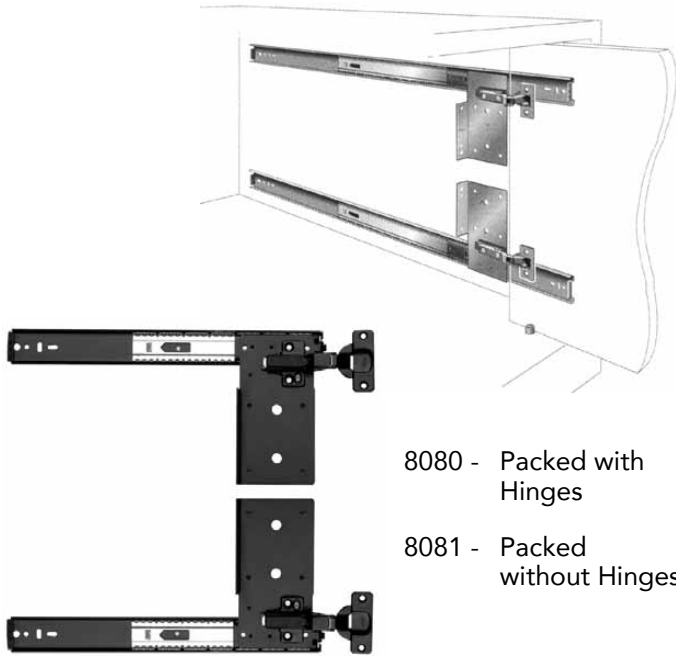
8080-96B

<u>Code</u>	<u>Description</u>	<u>List/ea</u>
8090P-CR	Cassette Roller	\$ 6.58
8080-96B	Spare Guide Roller	.36

FLIPPER SLIDES

KV 8080/8081 FLIPPER DOOR SLIDES

Load Capacity: 30 lbs.



8080 - Packed with Hinges

8081 - Packed without Hinges

Flipper Door Slide with a 30 lb. load capacity. Mounts to side of case for pocket door mode, or to underside of the top of case for flipper mode. Fits doors 5/8" - 3/4" thick with maximum dimension of 24"x 42". Total width including hinge: 1-11/16" maximum.

8080 Includes a self-closing three-way adjustable thick door hinge. Cup bore dia. is 35mm. Edge bore distance is .25". Has steel ball-bearings with added support rollers to reduce door sag and large follower strip mounting plate for rigidity & installation ease. Bright electro-zinc finish, or black zinc chromate.

8080P/PEB - Pack: 10 pr/Ctn. Packed with Hinges

Zinc	Cab Depth*	Travel	List/pr
8080P-12	12-1/4"	9"	\$ 43.73
8080P-14	14-1/4"	11"	44.22
8080P-16	16-1/4"	13"	44.78
8080P-18	18-1/4"	14"	45.24
8080P-20	20-1/4"	16"	47.65
8080P-22	22-1/4"	18"	48.20
8080P-24	24-1/4"	20"	48.77

Black	Cab Depth*	Travel	List/pr
8080PEB-12	12-1/4"	9"	\$ 45.85
8080PEB-14	14-1/4"	11"	48.28
8080PEB-16	16-1/4"	13"	46.87
8080PEB-18	18-1/4"	14"	49.35
8080PEB-20	20-1/4"	16"	49.91
8080PEB-22	22-1/4"	18"	50.46
8080PEB-24	24-1/4"	20"	51.07

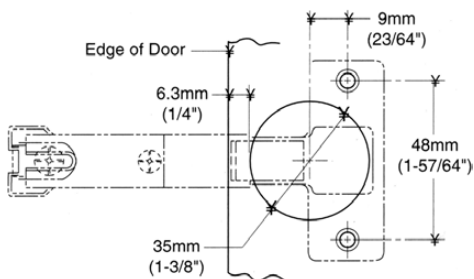
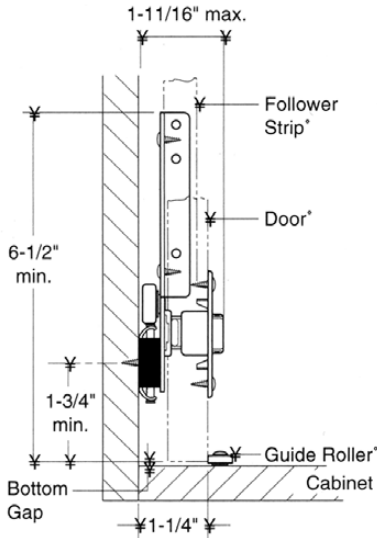
8081PEB - Pack: 10 pr/Ctn. Packed without Hinges

Black	Cab Depth*	Travel	List/pr
8081PEB-12	12-1/4"	9"	\$ 35.65
8081PEB-14	14-1/4"	11"	36.17
8081PEB-16	16-1/4"	13"	38.38
8081PEB-18	18-1/4"	14"	39.12
8081PEB-20	20-1/4"	16"	37.87
8081PEB-22	22-1/4"	18"	38.62
8081PEB-24	24-1/4"	20"	40.51

* Add thickness of door to determine min. cab depth

Salice Hinge/Plate Choices for 8081 Flipper

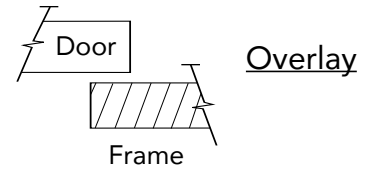
- C2P7G99 - inset
- CFA7P99 - inset; thick door
- CFA7G99 - overlay to 3/8" (.40")
- BAR3R09 - 0mm plate



Hinge Boring Detail

FLIPPER SLIDES

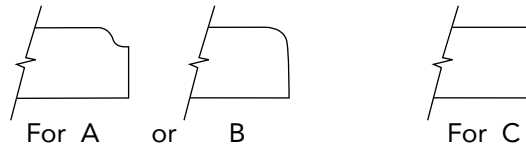
KV8081 30 lb. POCKET DOORS



1. KV8081 OVERLAY DATA Hinges sold separately

	Door Thickness	Hinge	Plate	Tab	Overlay	Notes
A	3/4"	CFA7G99	0mm	9/16"	3/8"	Ease front of door edge
B	1"	CFA7G99	3mm	9/16"	3/8"	Requires detail on front of door to clear
C	1"	CFA7G99	3mm	7/16"	1/4"	For doors with square front edge

Door Profiles:



- Notes:
- 1) Cut wood follower 3-1/2" less than center to center of slides for clearance when using Salice base plates
 - 2) Front hole of guide 1-1/16" from center of hole to front of cabinet
 - 3) Always do trial drilling on a similar door profile to confirm clearances and overlays

2. KV8080 INSET DATA 

The 8080P is zinc colored and comes with 35mm cup hinges for 3/4" thick doors.

The 8080PEB is black and comes with black 35mm hinges for 3/4" thick door.

3. KV8081 INSET DATA Hinges sold separately

Door Thickness	Hinge	Plate	Tab
3/4"	C2P7G99	0mm (BAR3R09)	1/4"
1"	CFA7G99	0mm (BAR3R09)	5/16"

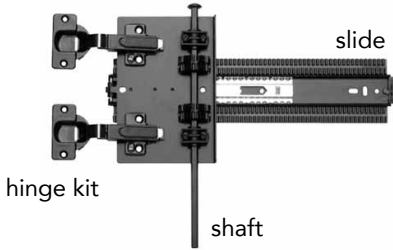
FLIPPER SLIDES

KV 8091/8092 FLIPPER SLIDE

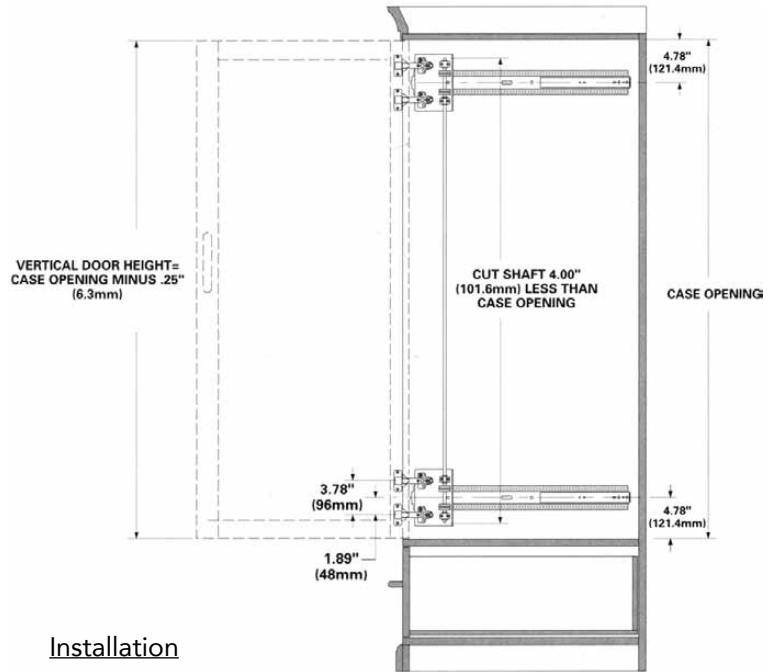
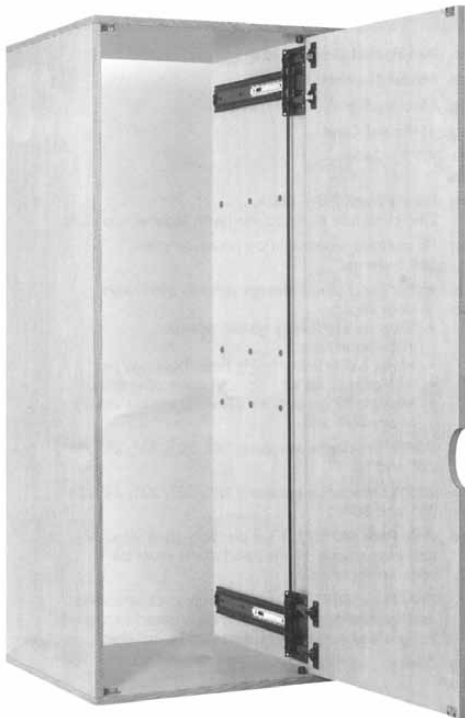
Heavy Duty
Load Capacity: 75 lbs.

4 X 4 RACK & PINION SYSTEM

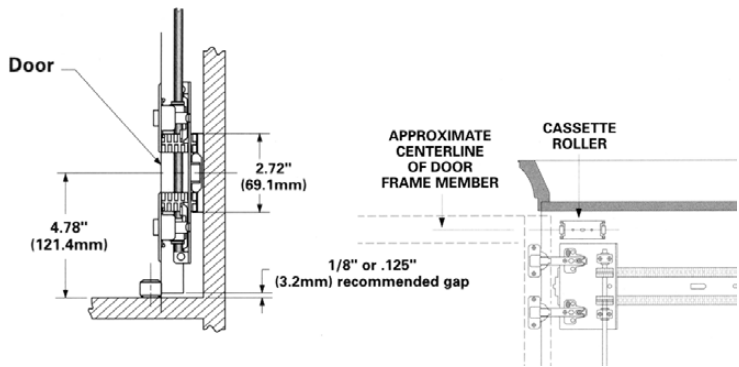
4 Hinges and 4 Track Wheels per Door



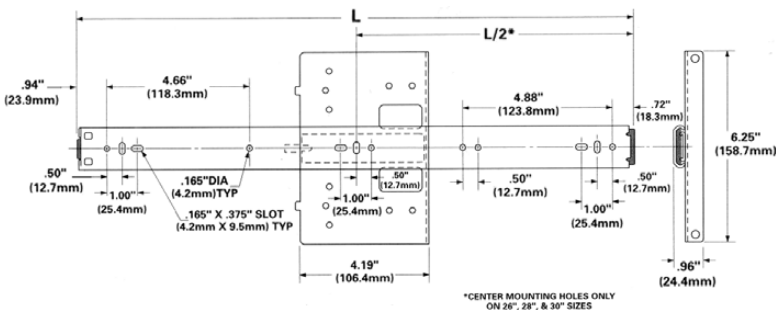
Dual rack and pinion system virtually eliminates door sag.



Installation



Dimensions



Size	L	L/2*	Approx. Door Conceal**	Approx. Cabinet Depth***
18"	18-1/8"	-	14"	18-3/8"
20"	20-1/8"	-	16"	20-3/8"
22"	22-1/8"	-	18"	22-3/8"
24"	24-1/8"	-	20"	24-3/8"
26"	26-1/8"	13-1/16"	22"	26-3/8"
28"	28-1/8"	14-1/16"	24"	28-3/8"
30"	30-1/8"	15-1/16"	26"	30-3/8"

*Center mounting holes only on 26", 28", & 30" sizes

** Door fully retracted into case

*** Add thickness of door to determine minimum

FLIPPER SLIDES

KV 8091/8092 POCKET DOOR SLIDE

Mounting	Mounts directly to cabinet side
Load Rating	75 lb Class
Max. Door Dimensions	72" H x 26" W
Finish	Ebony Black (EB) - Black. Zinc chromate electroplated with laquer top coat
Action	Progressive movement on precision steel ball bearings

Additional Features

- Dual rack and pinion system virtually eliminates door sag
- 75 Pound Class rated for heavy duty applications
- Maximum door dimensions: 72" H x 26" W
- Innovative indexing pin allows door slide to nest within door rack for easy alignment and installation
- Self-closing, three-way adjustable isometric door hinge
- Hinge bases are pre-mounted on the 8092 for faster installation
- 8091 allows installer to use the hinge/plate of their choice
- Precision steel ball bearings provide smooth and quiet operation

Hinges & Plates for 8091:

Salice C2P7G99 with BAR3R39 plate for standard inset. See following pages for other overlays, thick door, etc.

Hinge Kits for 8092 Flipper Slides: Black Grass Hinges
Two hinges with screws per bag.
Order two bags for each door.

<u>Code</u>	<u>Description</u>	<u>List/bg</u>
8080HKEZSEB	3/4" Thick Inset door (most common)	\$ 12.93
8080HKEZFEB	3/4" Thick Inset door, Free-Swing	17.49
8080HKEZLEB	3/4" Thick Inset door, Partial Overlay, 40mm cup	18.80
8085HKEZTEB	1" Thick Inset door, 40mm cup	17.04
8086HKEZXEB	1-1/4" Thick Inset Door, 40mm cup	19.69

<u>Full Overlay Kit</u>	<u>See page</u>	<u>List/kit</u>
8091FULL3/4S	Use with Salice Hinges	\$ 66.78
8091FULL3/4M	Use with Grass Hinges	70.12

KV 8092 - With Riveted Baseplates

The 8092 includes riveted baseplates. 1 set Polybagged with screws. Order shafts separately. Black finish. Must order hinge kits separately. (See bottom left column)

Pack: 5 sts/Ctn. (1 set per door)

<u>Code</u>	<u>Slide Length</u>	<u>Travel</u>	<u>List/st</u>
8092PEB-18	18-1/8"	14"	\$ 104.05
8092PEB-20	20-1/8"	16"	105.10
8092PEB-22	22-1/8"	18"	110.37
8092PEB-24	24-1/8"	20"	111.45
8092PEB-26	26-1/8"	22"	108.25
8092PEB-28	28-1/8"	24"	113.63
8092PEB-30	30-1/8"	26"	110.34

KV 8091 - Without Baseplates or Hinges

The KV 8091 is exactly the same as the 8092 except it does not come with pre-attached baseplates. Order 4 ea. hinges and 4 ea. plates per pair of slides. (See next page for hinges and plates) Order shafts separately. Black finish.

Pack: 5 sts/Ctn. (1 set per door)

<u>Code</u>	<u>Slide Length</u>	<u>Travel</u>	<u>List/st</u>
8091PEB-12	12-1/8"	8"	\$119.77
8091PEB-14	14-1/8"	10"	115.55
8091PEB-16	16-1/8"	12"	117.38
8091PEB-18	18-1/8"	14"	101.44
8091PEB-20	20-1/8"	16"	102.51
8091PEB-22	22-1/8"	18"	113.86
8091PEB-24	24-1/8"	20"	104.61
8091PEB-26	26-1/8"	22"	105.63
8091PEB-28	28-1/8"	24"	111.78
8091PEB-30	30-1/8"	26"	112.03

SHAFTS for 8091/8092

<u>Code</u>	<u>Description</u>	<u>List/pr</u>
8092SBEB-36	36" Pinion Shaft	\$ 11.16
8092SBEB-48	48" Pinion Shaft	20.54
8092SBEB-72	72" Pinion Shaft	30.09

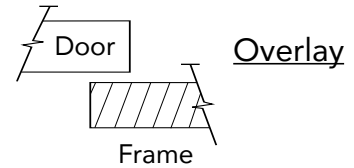
ROLLERS for 8091/8092

<u>Code</u>	<u>Description</u>	<u>List/ea</u>
8090P-CR	Cassette Roller	\$ 6.58
8080-96B	Spare Guide Roller	.36



FLIPPER SLIDES

**KV8091 75 lb. "RACK & PINION"
POCKET DOOR SLIDE**

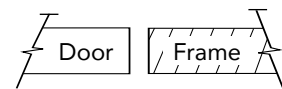


KV8091 Overlay Data Hinges sold separately

Door Thickness	Hinge	Plate	Tab	Overlay	Notes
A 3/4"	CFA7G99	0 mm (BAR3R09)	5/8"	7/16" Max	May require chamfer on door back or detail on front
B 13/16"	CFA7G99	0 mm (BAR3R09)	5/8"	3/8" Max	May require chamfer on door back or detail on front
C 1" (max)	CFA7G99	3 mm (BAR3R39)	9/16"	1/4" Max	Must have detail on front of door

- Notes:
- 1) Tab cannot exceed 5/8" on doors with square front edge
 - 2) Always do trial drilling on a similar door profile to confirm all clearances and overlays
 - 3) It is always safe to use less overlay which will reduce concerns of edge details or door edge damage

Inset



KV8091 Inset Data Hinges sold separately

Door Thickness	Hinge	Plate	Tab	Notes
A 3/4"	C2P7G99 (35 mm)	3 mm (BAR3R39)	3/8"	Front hole 1-7/8" back from case front
B 1"	CFA7G99 (40 mm)	0 mm (BAR3R09)	3/16"	Front hole 2-1/8" back from case front
C 1-1/4"	CFA7P99 (40 mm)	0 mm (BAR3R09)	9/16"	Front hole 2-3/8" back from case front

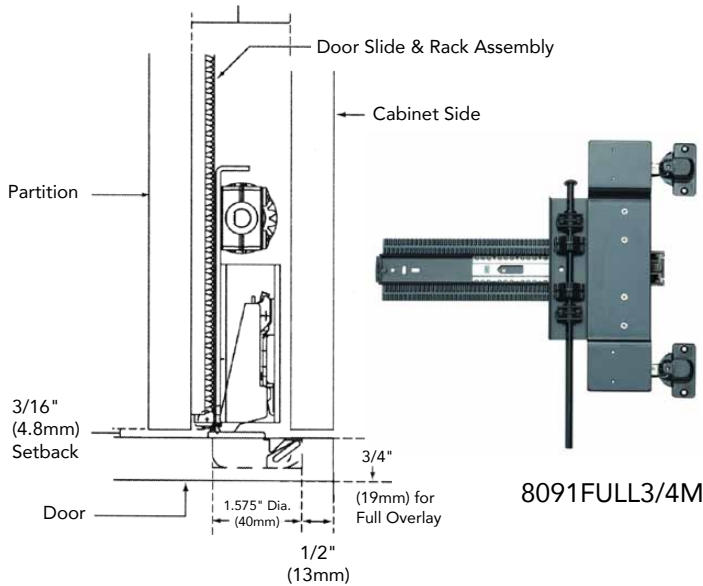
FLIPPER SLIDES ACCESSORIES

KV FULL OVERLAY KIT

for 4x4 Pocket Doors

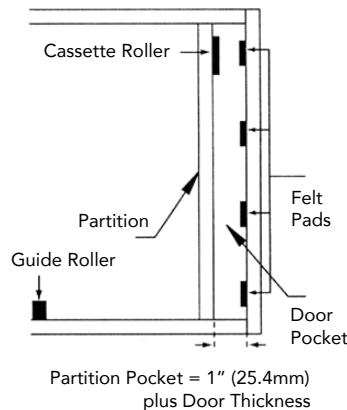
The KV Full Overlay Bracket Kit has been designed to provide a full overlay on doors up to 3/4" thick. The specialized mounting bracket is easily attached to the 4X4 Pocket Door system and does not compromise the operating characteristics for the KV 8091 series product.

Partition Width = 1" (25.4mm) plus Door Thickness



8091FULL3/4M

- Provides a full overlay on doors up to 3/4" thick
- Attaches easily to KV 8091 4X4 Pocket Door System
- Will not compromise the performance features of the 4X4 Pocket Door System



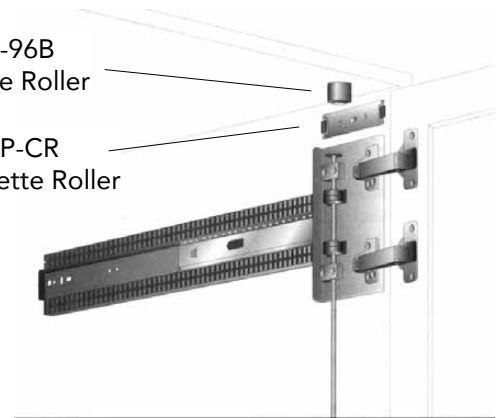
Polybagged kit contains: 2 brackets, 4 Overlay Hinges, 4 Plates, 4 Hinge Cover Caps, 4 Protective Door Felt Pads and all necessary mounting hardware. 6 kits per carton.

Code	Description	List/kit
8091FULL3/4S	Full Ovly Kit w/Salice Hinges	\$ 66.78
8091FULL3/4M	Full Ovly Kit w/Grass Hinges	70.12

CASSETTE ROLLER AND GUIDE ROLLERS FOR KV 8091/8092 POCKET DOOR SLIDES

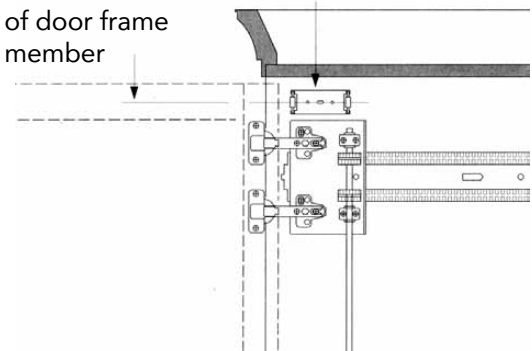
8080-96B
Guide Roller

8090P-CR
Cassette Roller



Approximate centerline of door frame member

Cassette Roller

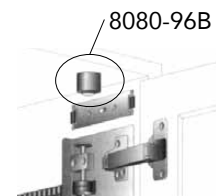


The 8090P-CR Cassette Roller installs easily to give your doors extra protection when using pocket door slides. The cassette roller installs anywhere in the case to insure that the rails of the door will not rub against the pocket door hardware. (Other brands allow rollers to be mounted only at the top and bottom of case.)

The 8080-96B guide roller keeps doors properly aligned. (Note: Guide rollers are included with the 8091/8092 pocket door slides.)



8090P-CR



8080-96B

Code	Description	List/ea
8090P-CR	Cassette Roller	\$ 6.58
8080-96B	Guide Roller (w/ screw)	.36

FILE CABINET HARDWARE

KV INDEX FOLLOWERS

Card Size Index Follower.
Plate: 4-3/4" wide. When mounted, plate is 2-11/16" from surface of track. Uses 476T Track. Track is 26" long and may be recessed in a 1-3/4" x 1/4" slot when 475 follower used. Anochrome finish.



Pack: 10 ea/Ctn.

<u>Code</u>	<u>Description</u>	<u>List/ea</u>
475F	Anochrome Index Follower	\$ 11.22

KV LETTER SIZE FILE FOLLOWER

476F Follower
476T Track



Letter-Size File Follower. When mounted, plate is 7-5/8" from track surface x 10-3/4" wide. Track is 26" long, may be recessed in 2-1/4" x 1/4" slot when 476 follower is used. Anochrome finish.

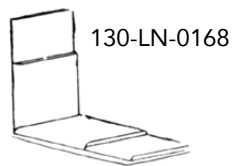
Note: Order follower and track separately.

Pack: 10 ea/Ctn.

<u>Code</u>	<u>Description</u>	<u>List/ea</u>
476F	Anochrome File Follower	\$ 25.05
476T	26" Anochrome Track	10.24

PLASTIC SIDE SADDLE

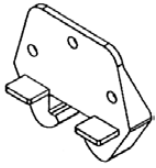
Linear Polyethylene Natural.
1-1/8" x 3/8" wide.
For stapling and track application.



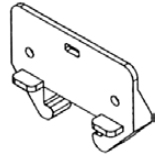
<u>Code</u>	<u>Description</u>	<u>List/C</u>
130-LN-0168	White Side Saddle	\$ 25.42

RAIL SOCKETS

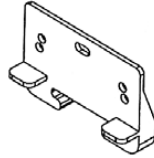
BAINBRIDGE DRAWER GUIDE BACKPLATES



502



509



520

Bainbridge #502: Designed to fit with either screws or staples & slide on a 3/4" wide wood rail 7/32" thick. Highly lubricated polyethylene. 100/box.

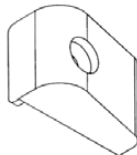
Bainbridge #509: Designed for larger wooden rails 13/32"x 1/4". Can be used with screws or staples. Highly lubricated polyethylene. 100/box.

Bainbridge #520: 1-1/4" center to center. Designed for center mount steel rails. Highly lubricated polyethylene. 100/box.

Code	Color	Ctn	List/ea
502BA	White	100 ea.	\$.64
509	White	100	.85
520	White	100	.54

SLIDE OUT TRAY BUMPER

Screw to corner of tray to prevent scratching of cabinet door. White color.

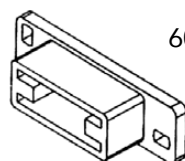


1926WH

Code	Color	Ctn	List/C
1926WH	White	5000 ea.	\$ 30.87

PLASTIC RAIL SOCKET

Designed to be used with screw or staples on the back of the cabinet drawer area and will accept most center mount steel rails.



605

Overall: 2-3/8" W x 3/4" H
Inside: 1-7/16" W x 9/16" H

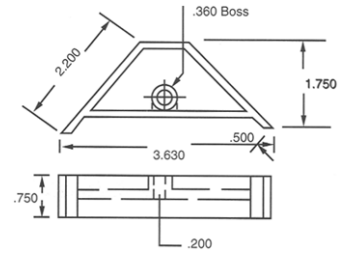
Code	Color	Ctn	List/C
605	White	100 ea.	\$ 58.80

PLASTIC CORNER BRACE

Tenn-Tex Plastics



T410



No tabs with boss around screw hole.

Code	Color	Ctn	List/M
T410	Natural	1000 ea.	\$ 117.92

T-350 UNDERMOUNT INSET DRAWER BRACKET

Tenn-Tex Plastics



Features:

- Self-locating for easy mounting
- Min. 1/2" smooth horizontal adjustment
- Requires only 1/2" frame offset
- Die cast metal tapped insert with anti-slip surface
- Fine thread washer head combo drive type 17 wood screws
- Strong ABS polymer

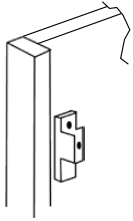
10 sets/Ctn.

Code	Description	Ctn	List/st
B393	Polybagged Set Contains: 1 ea. T-350-00, T350-01 2 ea. HAR-077, HAR-080 4 ea. HAR-079, Instructions	10 sts.	\$ 9.12

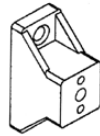
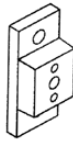
DRAWER SLIDE SPACERS

DRAWER SLIDE SPACERS

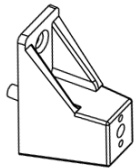
For drawers and pull-out shelves. White or Almond plastic, sturdy and economical. For 3/4 and Full Extension. Locator pin for 5mm line bore.



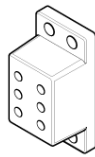
#3600 1/2" Ht
#3601 3/4" Ht



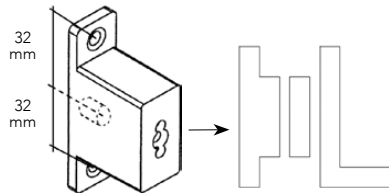
#3602 1" Ht
#3604 1-1/4" Ht
#3608 1-1/2" Ht



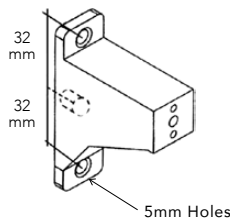
#3603 1-7/16" Ht



#3639 1-3/4" Ht
#3633 1-1/4" Ht
#3640 1" Ht
Undermount drawer
slide spacer



#3615 1-5/8" (42mm) Ht
For use on full ext. guide



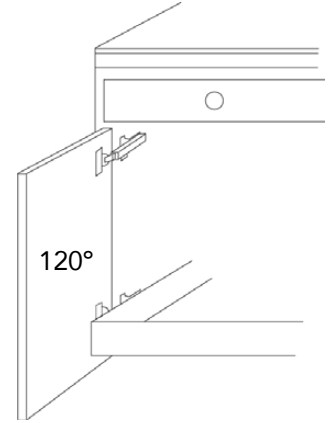
#3613 2-3/16" Ht
For pullout shelf
Euro guide

Problem:

Pullout shelves behind cabinet doors can damage door backs and interfere with door hinges.

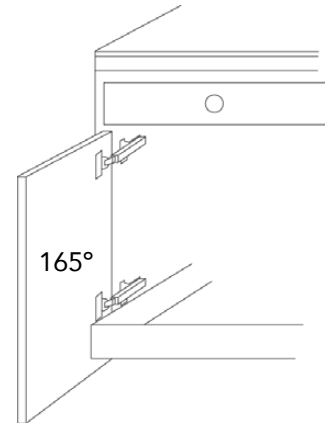
Solution 1:

Use *drawer slide spacers* to offset rollout shelf slides. Shelf rolls past standard hinge at standard height on door. Allow approximately 7/8" for 120° hinge. If face frame is used, select spacer to clear frame as well.



Solution 2:

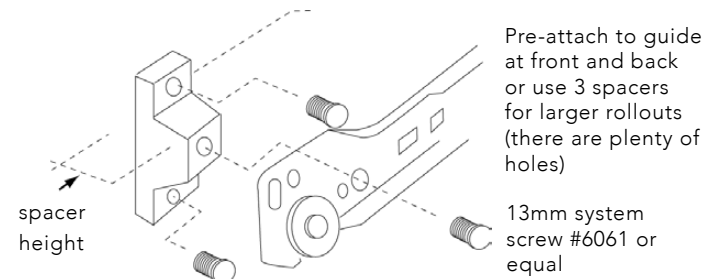
Use wide angle 165° zero-protrusion hinges and raise hinge location to miss pullouts.



NOTE:

You may want to use a different hole in guide if rollout is at same height as hinge.

Mount to end panel w/system screw or truss head



Pre-attach to guide at front and back or use 3 spacers for larger rollouts (there are plenty of holes)

13mm system screw #6061 or equal

15

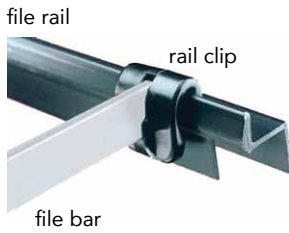
Code	Description	Ctn	List
3600	White, 1/2" Ht	1000 ea.	\$ 33.49/C
3601	White, 3/4" Ht	1000	26.51
3602	White, 1" Ht	1000	42.10
3603	White, 1-7/16" Ht	100	56.63
3604	White, 1-1/4" Ht	1000	55.06
3608	White, 1-1/2" Ht	1000	50.42
3613	White, 2-3/16" Ht	1000	132.30
3615	White, 42mm Ht	100	82.50
3633WH	White, 1-1/4" Ht	100	2.39/ea
3633AL-32	Almond, 1-1/4" Ht	100	1.62
3640WH	White, 1" Ht	500	1.59
3639-32	White, 1-3/4" Ht	100	2.53
3639AL-32	Almond, 1-3/4" Ht	100	2.63

FILE HANGERS

FILE BRACKETS

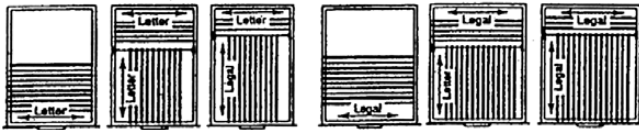
FILE HANGERS & CLIPS

Allows Both Letter & Legal Size Filing in Same Drawer!



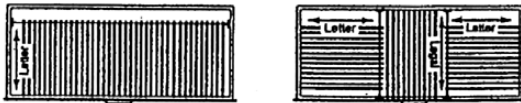
File Clip clinches to extruded File Rail. Allows for both letter and legal size filing in the same drawer. For rail application on false front drawers, simply trim rail overhang and staple. Powder coated steel.

Possible File Drawer Configurations



↑ Front (use clips for alternative filing options)

Lateral File Drawers



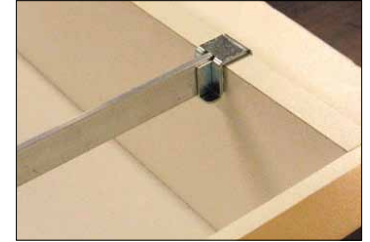
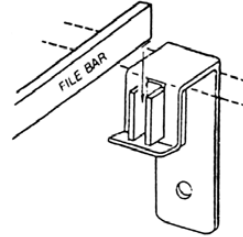
↑ Front

Code	Description	Color	Ctn	List/ea
CPF312500	Hanging File Rail, 1/2", 8.2'	Black	100	\$ 6.77
2309WH	Hanging File Rail, 1/2", 8.2'	White	60	9.32
2309-58-WH	Hanging File Rail, 5/8", 8'	White	100	9.19
6001BK	File Rail Clip	Black	100	.74
6001WH	File Rail Clip	White	100	1.03

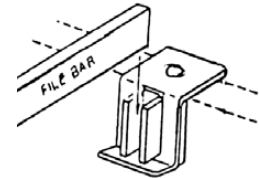
HANGING FILE BRACKETS

Standard, Top Mount & Side Mount

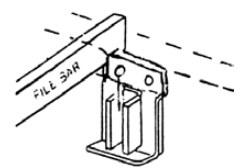
KHFB Standard Mount



KHFB-TM Top Mount



KHFB-SM Side Mount

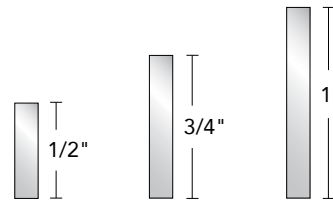


Hanging file brackets are 16-gauge steel and will hold the heaviest files. No cutting or grooves - quick to install! Holds 1/8" thick file bars. Fits 1/2" drawer sides. For thicker drawer side use the top mount or side mount brackets.

Code	Mount	Finish	Ctn	List/ea
KHFB-ZC	Standard	Zinc	100 ea.	\$ 1.54
KHFB-TM	Top	Zinc	100	1.90
KHFB-SM	Side	Zinc	100	1.77

FLAT FILE BAR

Mill finish, 1/8" thick, 1/2", 3/4" and 1" Heights available. 6' length cut to size.



Code	Description	Ctn	List/ea
FB12-6	1/2" Ht, 6' Length	10 ea.	\$ 6.97
FB34-6	3/4" Ht, 6' Length	10	8.09
FB1-6	1" Ht, 6' Length	10	9.99

FILE FRAME SYSTEMS

FILE FRAME SYSTEM

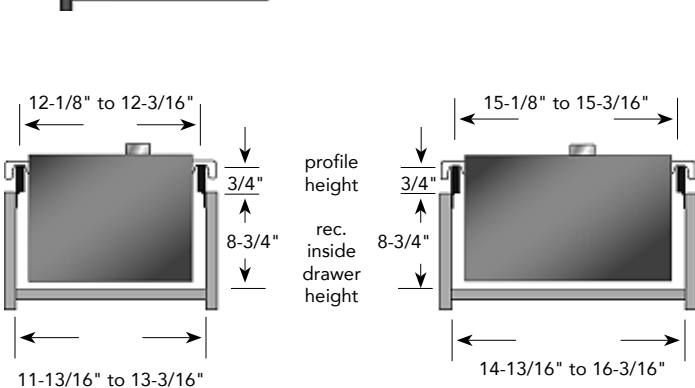
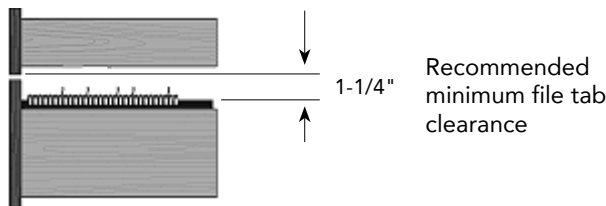
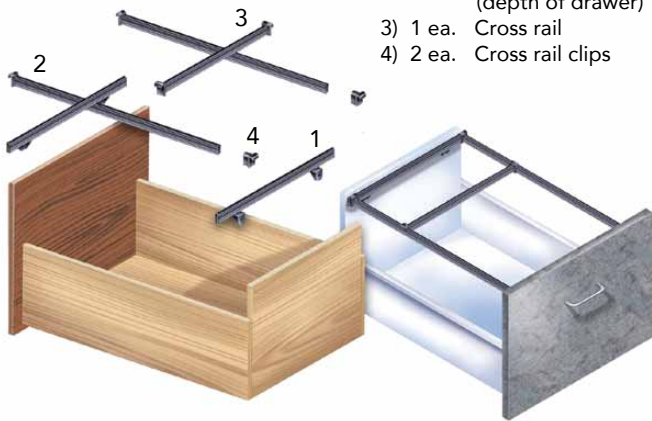
From CompX Timberline

Cut-to-size kits for drawers with inside depth of less than 23". Kit includes all components needed to offer front-to-back and side-to-side filing. Two kits can be combined to accommodate lateral filing drawers. Files slide smoothly on the black rails. Easily installs using only screws. Rails snap in and out of position without tools.

Kit includes: 2 attachment rails, 2 cut-to-length 26" side rails, 1 cross rail and 2 cross rail clips.

FF-SK2 Letter Size
FF-SK3 Legal Size

- 1) 2 ea. Attachment rails (width of drawer)
- 2) 2 ea. Cut-to-length rails 26" (depth of drawer)
- 3) 1 ea. Cross rail
- 4) 2 ea. Cross rail clips



FF-SK2 Letter Size

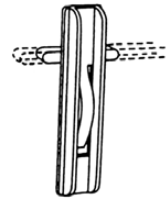
FF-SK3 Legal Size

Code	Size	Ctn	List/kit
FF-SK2	Letter, 12.153" rails	10 ea.	\$ 14.43
FF-SK3	Legal, 15.153" rails	10	13.96

DRAWER DIVIDERS

DRAWER DIVIDER CLIP

Spring loaded design firmly holds divider panel in place. Simply slide the clip to the desired divider location. No tools needed to install.

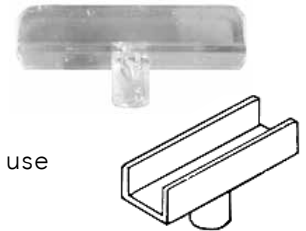


6210 Clip

Code	Color	Ctn	List/ea
6210WH	White	100 ea.	\$.40
6210BL	Black	100	.78
6210TAN	Tan	100	.64

DIVIDER CLIP - 5mm PEG

With 5mm peg. Will accept 1/4" thick board. For vertical use only. Made of clear plastic.



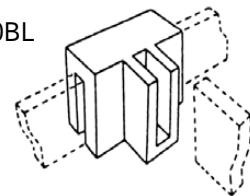
1941CL-20

Code	Color	Ctn	List/C
1941CL-20	Clear	100 ea.	\$ 35.47

FILE BAR HOLDER



6130BL



Fits standard size file bars. Slides over an existing file bar, allowing you to make files legal, letter or any size you want.

Code	Color	Ctn	List/M
6130BL	Black	1000 ea.	\$ 306.92

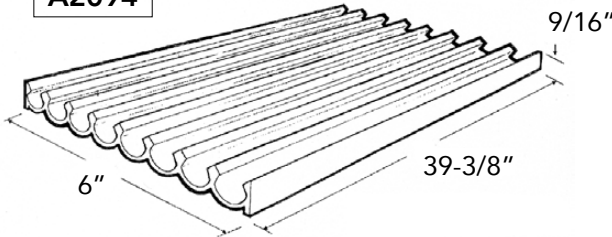
CD/DVD STORAGE

CD FLIP STRIP

The CD Flip Strip System is 150mm deep which can store up to 8 CDs. Can be cut to any length.



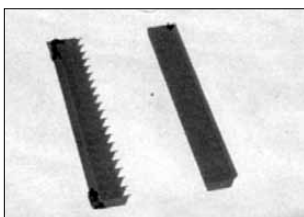
A2094



CD flip strip neatly stores cds. Strips mount to any surface with double stick tape (provided). They can be easily cut to any length and also butted up against each other to increase length. Low profile of 9/16" and it's 6" depth accommodates storage of 8 CDs in a single column. Length: 39-3/8" and stores up to 56 CDs. May be screwed, glued, stapled or fixed with adhesive pads (supplied). For cutting, a carbide-tipped trim carpenter's blade with 64 teeth is recommended.

Code	Description	Ctn	List/ea
A2094*	CD Flip Strip, Black	18	\$ 16.68

FLAT RACK CD STORAGE - FLIP 'n SEE



CPICDRL200

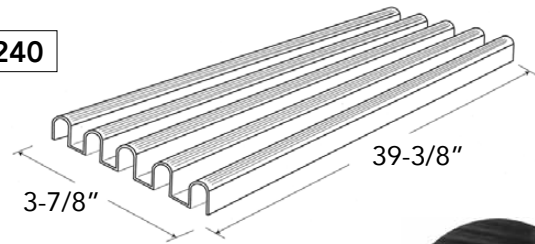
CD Flip'n See Rail System with tape. Holds 20 CDs. Black.

Size: 11-7/16" L x 1-1/16" W x 11/16" H

Code	Description	Ctn	List/bg
CPICDRL200*	CD Storage, Black	125	\$ 3.39

DVD GROOVE SYSTEM

A2240



Can be mounted vertically



Grooves gently "grip" DVD cases allowing total flexibility in mounting; mount to any horizontal or vertical flat surface i.e. shelves, drawers, cabinet faces and walls.

Each unit comes with pre-applied double-sided tape, but can also be installed in high volume applications with screws, glue or staples. Made of PVC and can be cut to size. (Use a carbide tip carpenter's blade with a minimum of 64 teeth.) For large applications, Groove sections can be butted up against one another.

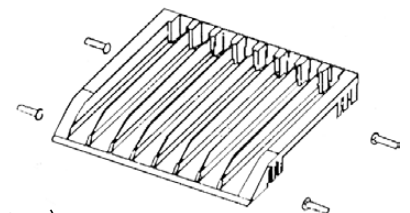
Stores 7 DVDs in a single row, and 28 DVDs in a one meter unit. 39-3/8" L x 3-7/8" W x 7/8" H

Code	Description	Ctn	List/ea
A2240*	DVD Groove Strip, Black	22	\$ 13.38

DVD STORAGE RACK

CPF4450

Stores 8 DVDs or 8 CDs (or a combination of the two).



Rack installed or repositioned easily by placing supplied 5mm pins into pre-drilled holes and snapping racks into place. Black in color. Stores 8 DVDs or 8 CDs (or a combination of the two).

Size: 5.91" L x 6.24" D x 0.75" H

Code	Description	Ctn	List/ea
CPF4450*	DVD Storage, Black	90	\$ 3.75

APPLIANCE LIFTS

REV-A-SHELF HEAVY DUTY-MIXER LIFT

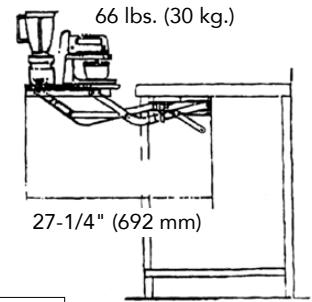


The heavy-duty chrome mixer lift can be attached to any custom made shelf and therefore will fit all cabinet sizes. The RAS-ML-HDCR features built-in shock dampeners, adjustable spring tension and holds appliances up to 60 lbs.

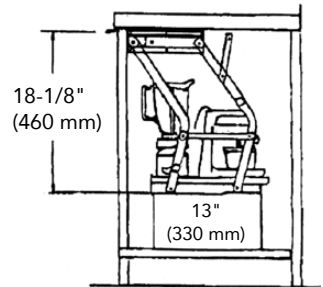
Also available Soft-Close.

RAS-ML-HDCR

RETRACTABLE APPLIANCE LIFT



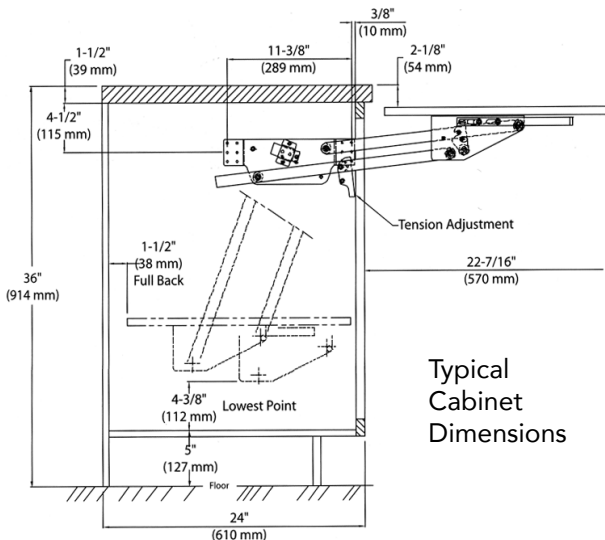
3275



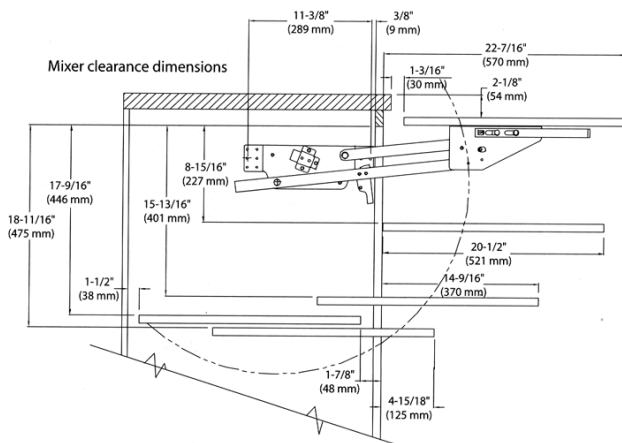
- Mechanism mounts inside base cabinet
- Spring-action easily lifts shelf out and level with countertop: **66 lb. load**
- Two locking catches secure shelf while extended
- Retract shelf by lifting up to unlock, then gently push inside

Includes: 1 LH and 1 RH Mechanism (all steel with white epoxy coating), 2 ea. heavy duty springs and assembly instructions.

Code	Description	List/ea
3275	Retractable Appliance Lift	\$ 105.50



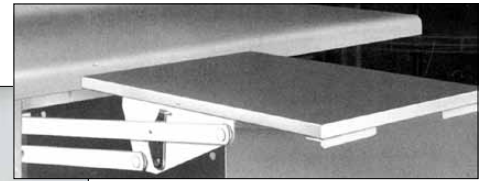
Typical Cabinet Dimensions



Code	Description	List/ea
RAS-ML-HDCR	Chrome Mixer Lift	\$ 140.81
RAS-ML-HDSC	Soft-Close Chrome Mixer Lift	239.89

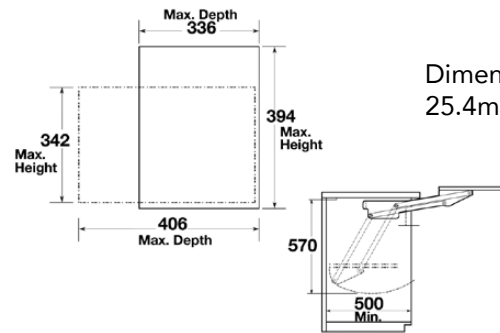
LIFT-UP SHELVES

LIFT-UP MECHANISM

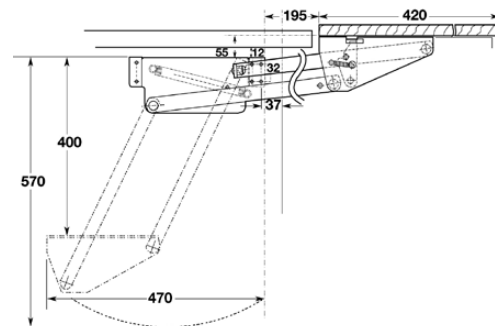


504.24.701

Swing Arc	570
Cabinet Width	300 to 600
Shelf Width	minus 70



Dimensions in mm
25.4mm = 1"



Lift-up mechanism provides additional counter space in the kitchen for a work surface or to hold and store small appliances. Mounts to inside wall of cabinet under counter. When pulled out surface locks into working position flush w/counter top. Raise slightly to unlock. Swing height is 15-3/4" making the use of taller small appliances possible.

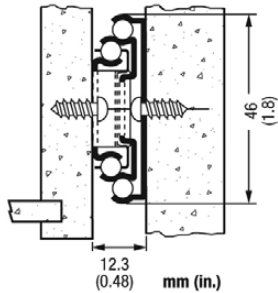
Load Cap: 26 lbs/set, Installation Width: 10-1/4" to 23-1/2". Each set includes two fittings (L & R) and two tension springs.

Code	Description	List/st
504.24.701	Lift Up Mechanism, White	\$ 189.37

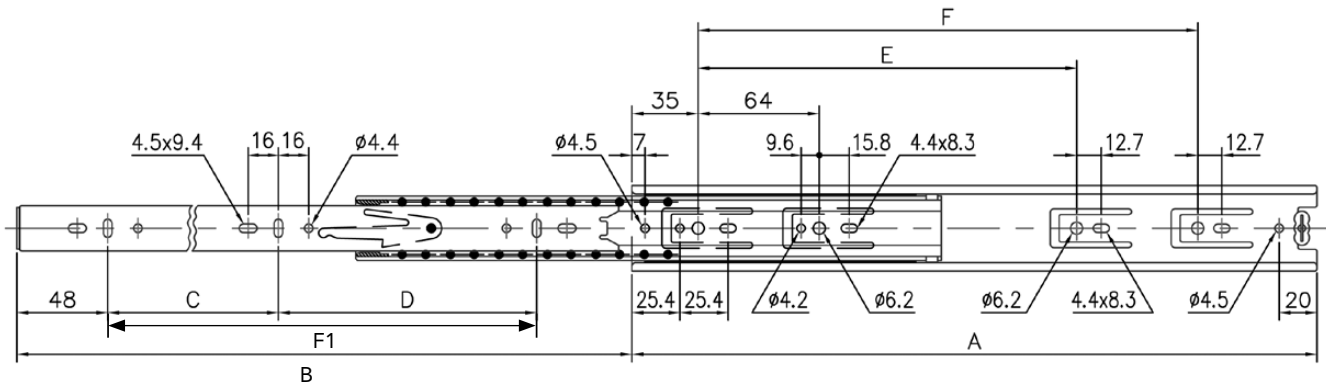
SIDE MOUNT DRAWER SLIDE SPECIFICATIONS

Fulterer 5000

Load Cap: 100 lbs.



- Material: Cold Rolled Steel
- Steel ball bearings
- Easy to operate disconnect finger release trigger
- System 32 compatible hole locations
- Non handed, Hold close detent



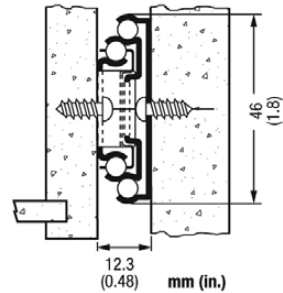
Code	Slide Length (A)		Slide Travel B (mm)	C (mm)	D (mm)	E (mm)	F (mm)	F1 (mm)
	inches	mm						
5000-6	5.91	150	150	-	-	-	-	-
5000-8	7.87	200	200	-	-	96	-	-
5000-10	9.84	250	250	-	-	160	-	160
5000-12	11.81	300	308	-	-	192	-	192
5000-14	13.78	350	350	96	160	224	-	256
5000-16	15.75	400	400	128	160	224	320	288
5000-18	17.72	450	450	160	192	224	352	352
5000-20	19.69	500	500	192	224	224	416	416
5000-22	21.65	550	550	224	256	224	448	448
5000-24	23.62	600	600	224	288	224	480	512
5000-26	25.59	650	650	256	288	224	544	544
5000-28	27.56	700	700	256	352	224	576	608
5000-30*	29.53	750	750	256		224	640	640

*non stock

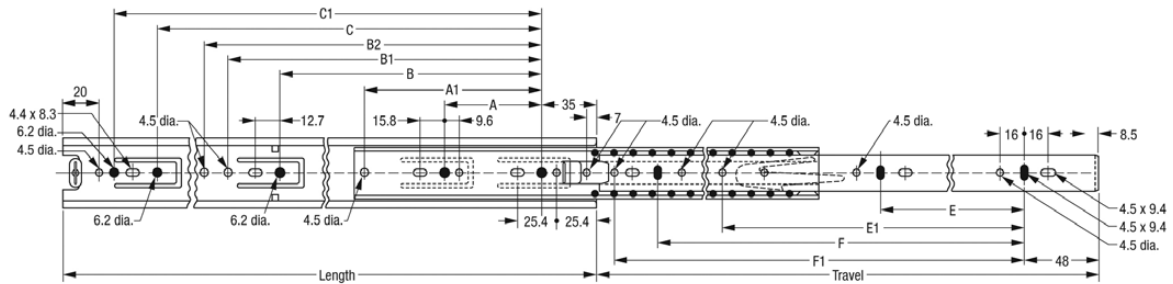
Fulterer 5000OT

1" Overtravel

Load Cap: 100 lbs.



- With 25mm (.98 inch) Over-Travel
- Material: Cold Rolled Steel
- Steel ball bearings
- Easy to operate disconnect finger release trigger
- System 32 compatible hole locations
- Non handed, Hold close detent

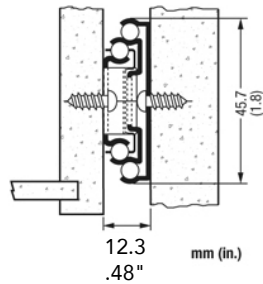


Length mm in	Travel mm in	Cabinet Profile:								Drawer Profile:				Weight kg. lbs.	Order No. zinc	Order No. black		
		A	A1	B	B1	B2	C	C1	E	E1	F	F1						
250 9.84	275 10.83	64 2.52		160 6.30									160 6.30		*	*	*	
300 11.81	325 12.80	64 2.52	128 5.04	192 7.56	224 8.82								192 7.56	224 8.82	*	400016	*	
350 13.78	375 14.76	64 2.52	128 5.04	224 8.82	282 11.10								96 3.78	256 10.08	*	600067	600068	
400 15.75	425 16.73	64 2.52	128 5.04	224 8.82	282 11.10			320 12.60					128 5.04	288 11.34	320 12.60	*	600074	600072
450 17.72	475 18.70	64 2.52	128 5.04	224 8.82	282 11.10			352 13.86					160 6.30	271 10.67	352 13.86	*	600075	600073
500 19.69	525 20.67	64 2.52	128 5.04	224 8.82	282 11.10			416 16.38					224 8.82	297 11.69	416 16.38	*	600076	600069
550 21.65	575 22.64	64 2.52	128 5.04	224 8.82	282 11.10	352 13.86	448 17.64	480 18.90					224 8.82	323 12.72	448 17.64	*	600077	*
600 23.62	625 24.61	64 2.52		224 8.82	282 11.10	352 13.86	480 18.90						224 8.82		512 20.16	*	6000702	*
650 25.59	675 26.58	64 2.52		224 8.82	282 11.10	352 13.86	544 21.42						256 10.08		544 21.42	*	*	*
700 27.56	725 28.54	64 2.52		224 8.82	282 11.10	352 13.86	576 22.68						256 10.08		608 23.94	*	*	*
750 29.53	775 30.51	64 2.52		224 8.82	282 11.10	352 13.86	640 25.20						256 10.08		640 25.20	*	*	*

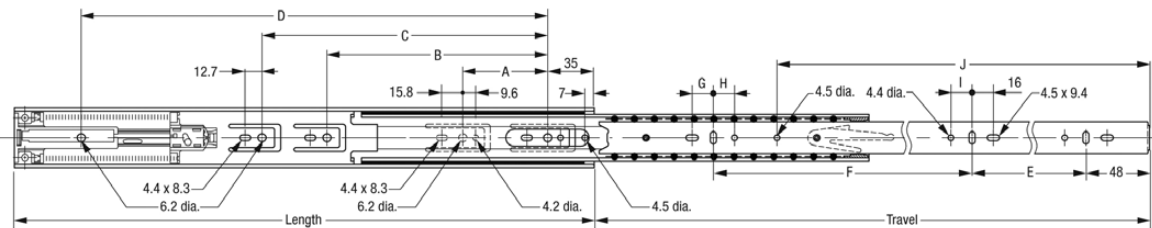
Fulterer 5001ECD

Soft Close

Load Cap: 100 lbs.



- Soft-Close, Side Mount, Full-extension
- 1/2" Side Clearance
- ECD Easy Close Device mechanism provides self-closing and impact absorbing soft-close feature
- Material: Cold Rolled Steel
- Steel ball bearings
- Easy to operate disconnect finger release trigger
- System 32 compatible hole locations
- Non handed, Hold close detent



Length	Travel	Cabinet Profile:				Drawer Profile:						Weight	Order No. zinc										
		A	B	C	D	E	F	G	H	I	J			kg.	lbs.								
mm	in	mm	in	mm	in	mm	in	mm	in	mm	in	mm	in	mm	in	kg.	lbs.						
300	11.81	245	9.65	64	2.52							16	0.63	189	7.44	*	400920						
355	13.98	350	13.78	64	2.52	128	5.04					128	5.04			*	400921						
405	15.95	400	15.75	64	2.52	160	6.30					160	6.30			*	400922						
450	17.72	450	17.72	64	2.52	224	8.82					16	0.63	336	13.23	*	400923						
500	19.69	500	19.69	64	2.52	256	10.08					192	7.56	128	5.04	16	0.63	16	0.63	*	400924		
550	21.65	550	21.65	64	2.52	224	8.82	320	12.60	448	17.64	224	8.82	160	6.30		16	0.63	16	0.63	*	400925	
600	23.62	600	23.62	64	2.52	224	8.82	352	13.86	512	20.16	256	10.08	160	6.30	16	0.63	16	0.63	16	0.63	*	400926
650	25.59	650	25.59	64	2.52	224	8.82	416	16.19	576	22.68	256	10.08	192	7.56	16	0.63	16	0.63	16	0.63	*	400927
700	27.56	700	27.56	64	2.52	224	8.82	448	17.69	608	23.94	288	11.34	224	8.82	16	0.63	16	0.63	16	0.63	*	400928

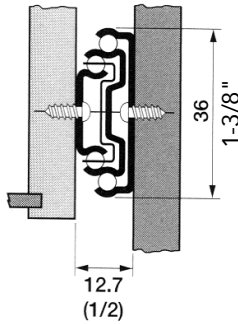
15



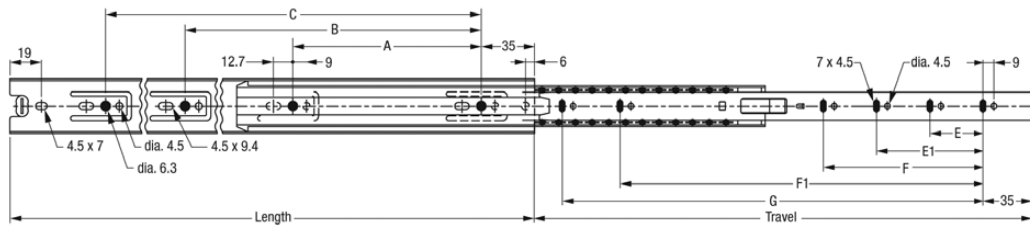
Fulterer 5036

Low Profile

Load Cap: 75 lbs.



- Low Profile: 1-3/8" Height
- Material: Cold Rolled Steel
- Steel ball bearings
- Easy to operate disconnect finger release trigger
- System 32 compatible hole locations
- Non handed, Hold close detent

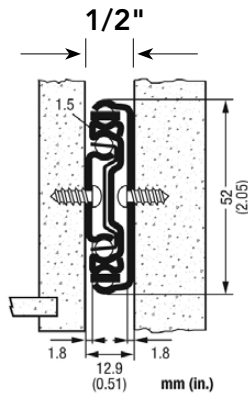


Length	Travel	Cabinet Profile:						Drawer Profile:						Weight	Order No.						
		A		B		C		E		E1		F				F1		G			
mm	in	mm	in	mm	in	mm	in	mm	in	mm	in	mm	in	mm	in	mm	in	kg	lbs	zinc	
250	9.85	254	10.00	160	6.30					192	7.56							*		400300	
300	11.81	305	12.01	128	5.04	208	8.19			242	9.53							*		400301	
350	13.78	356	14.02	128	5.04	256	10.08			128	5.04	292	11.50					*		400302	
400	15.75	406	15.99	128	5.04	288	11.34			128	5.04	320	12.60					*		400303	
450	17.72	457	17.99	128	5.04	288	11.34	352	13.86	128	5.04	320	12.60	392	15.43			*		400304	
500	19.69	508	20.00	128	5.04	288	11.34	416	16.38	128	5.04	192	7.56	352	13.86	442	17.40	*		400305	
550	21.66	559	22.01	128	5.04	288	11.34	416	16.38	128	5.04	224	8.82	416	16.38	492	19.37	*		400306	
600	23.62	610	24.02	128	5.04	320	12.60	480	18.90	128	5.04	224	8.82	416	16.38	542	21.34	*		400307	
650	25.59	660	25.98	128	5.04	352	13.86	544	21.42	128	5.04	224	8.82	416	16.38	544	21.42	592	23.31	*	400308
700	27.56	711	27.99	128	5.04	352	13.86	544	21.42	128	5.04	224	8.82	448	17.64	544	21.42	642	25.28	*	400309

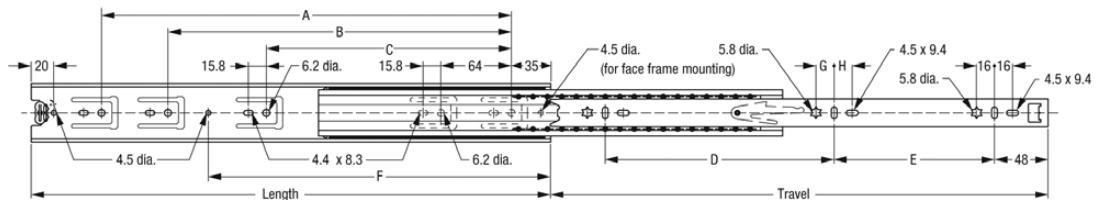
Fulterer 5210

Heavy Duty Slide

Load Cap: 200 lbs.



- 1/2" Side Space
- Precision steel ball-bearing drawer slide for heavy duty applications: Residential and Commercial
- Easy to operate disconnect, finger release trigger
- System 32 compatible hole locations
- Drawer slide is non-handed and has a hold-close detent
- Full extension + 1" over-extension



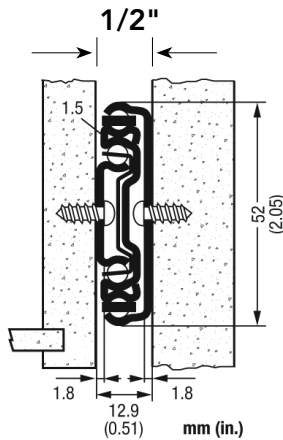
Length	Travel	Cabinet Profile:						Drawer Profile:						Weight	Order No.					
		A	B	C		F		D	E	G	H	kg	lbs		black	zinc				
mm	in	mm	in	mm	in	mm	in	mm	in	mm	in	mm	in	mm	in					
250	9.84	275	10.83			160	6.30			160	6.30					*	*	400169		
300	11.81	325	12.80			192	7.56			192	7.56	16	0.63	16	0.63	*		400181 400170		
350	13.78	375	14.76			224	8.82			160	6.30	96	3.78	16	0.63	16	0.63	400182 400171		
400	15.75	425	16.73			320	12.60	224	8.82	323	12.72	160	6.30	128	5.04	16	0.63	16	0.63	400183 400172
450	17.72	475	18.70			352	13.86	224	8.82	323	12.72	192	7.56	160	6.30	16	0.63	16	0.63	400184 400173
500	19.69	525	20.67			416	16.39	224	8.82	323	12.72	224	8.82	192	7.56	16	0.63	16	0.63	400185 400174
550	21.65	575	22.64			448	17.64	224	8.82	323	12.72	224	8.82	224	8.82	16	0.63	16	0.63	400186 400175
600	23.62	625	24.61			480	18.90	224	8.82	323	12.72	288	11.34	224	8.82	16	0.63	16	0.63	400187 400176
650	25.59	675	26.58			544	21.42	352	13.86	224	8.82	288	11.34	256	10.18	16	0.63	16	0.63	400188 400178
700	27.56	725	28.54			576	22.68	352	13.86	224	8.82	352	13.86	256	10.18	16	0.63	16	0.63	400189 400179



Fulterer 5210ECD

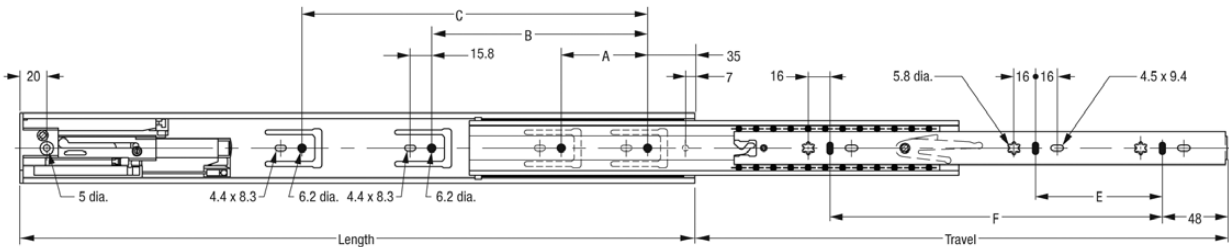
**Soft Close
Heavy Duty Slide**

Load Cap: 200 lbs.



- 1/2" Side Space
- Precision steel ball-bearing drawer slide for heavy duty applications in office furniture, architectural millwork and institutional applications
- Easy to operate disconnect, finger release trigger
- System 32 compatible hole locations
- Drawer slide is non-handed and has a hold-close detent
- ECD Easy Close Device:

Soft Close / Self Close



Length	Travel	Cabinet Profile:			Drawer Profile:		Weight	Order No.					
		A	B	C	E	F							
mm	in	mm	in	mm	in	mm	in	kg.	zinc				
400	15.75	425	16.73	64	2.52	160	6.30	96	3.78	288	11.34	*	400110
450	17.72	475	18.70	64	2.52	224	8.82	128	5.04	320	12.60	*	400111
500	19.69	525	20.69	64	2.52	256	10.18	128	5.04	352	13.86	*	400112
550	21.65	575	22.64	64	2.52	224	8.82	320	12.6	416	16.38	*	400113
600	23.62	625	24.61	64	2.52	224	8.82	352	13.86	448	17.64	*	400115
650	25.59	675	26.58	64	2.52	224	8.82	416	16.38	512	20.16	*	400116
700	27.56	725	28.54	64	2.52	224	8.82	416	16.38	544	21.42	*	*

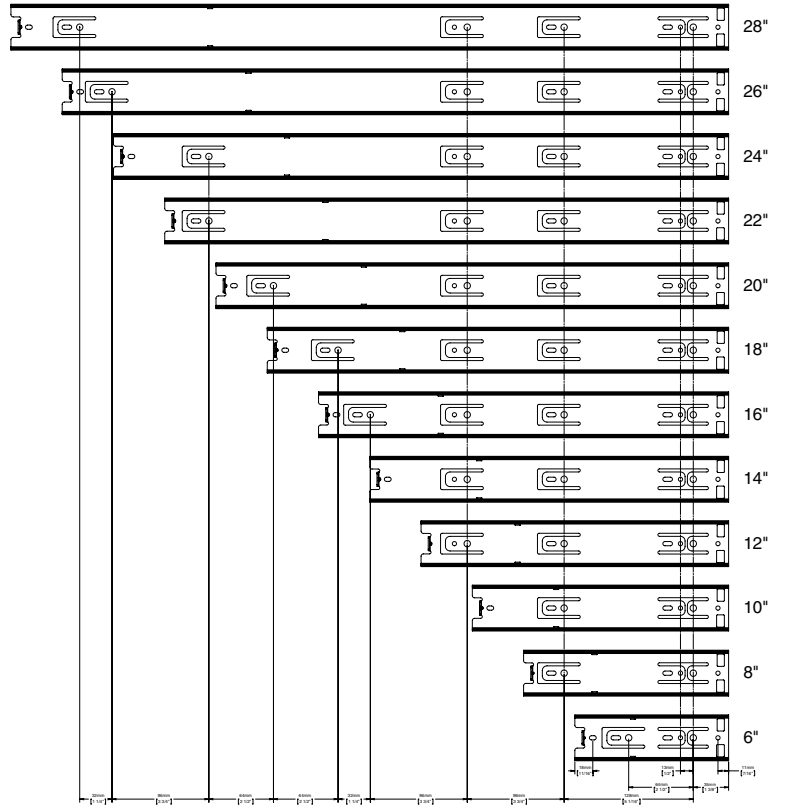
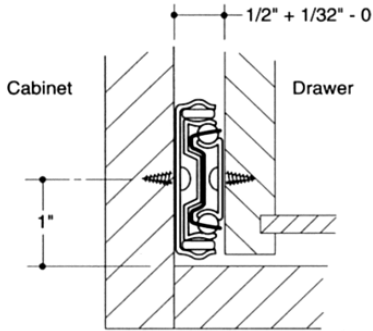
15



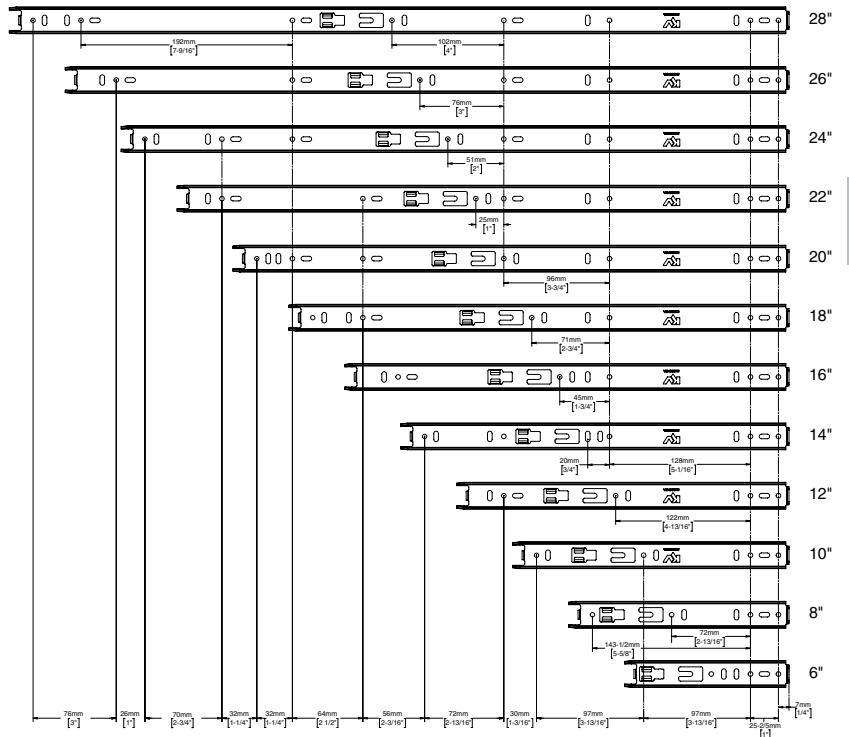
Cabinet Member Dimensions

KV 8400

Load Cap: 100 lbs.



Drawer Member Dimensions



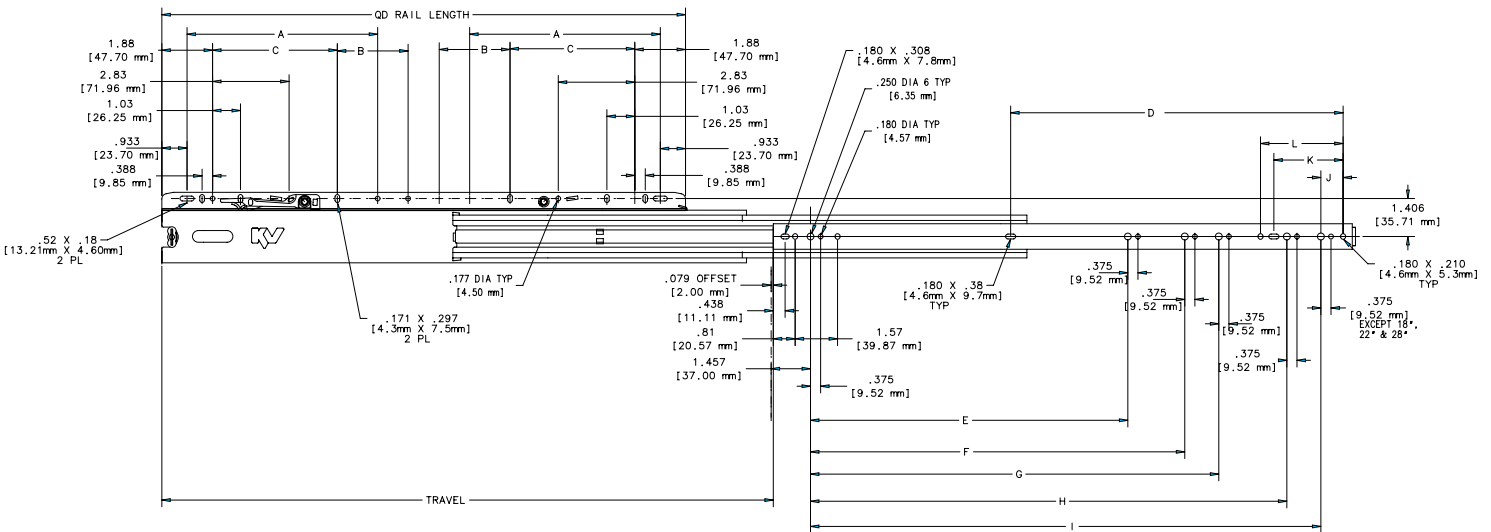
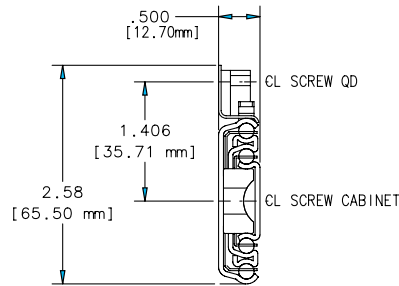
15

KV6505

1" Overtravel

Load Cap: 125 lbs.

Rail Mounted
Easy Disconnect



SLIDE LENGTH	TRAVEL	QD RAIL LENGTH	A	B	C	D	E	F	G	H	I	J	K	L
12"	12.80 [325mm]	10.57 [268.5mm]	-	-	-	7.06 [179.32mm]	8.82 [224mm]	-	-	-	8.82 [224mm]	.903 [22.94mm]	-	-
14"	14.76 [375mm]	10.57 [268.5mm]	-	-	-	9.18 [233.17mm]	8.82 [224mm]	-	-	-	8.82 [224mm]	2.903 [73.74mm]	1.06 [26.92mm]	-
16"	16.73 [425mm]	14.98 [380.5mm]	-	-	2.83 [71.96mm]	9.30 [236.22mm]	9.30 [236.22mm]	-	-	-	12.60 [320mm]	1.124 [28.55mm]	-	3.06 [77.70mm]
18"	18.70 [475mm]	14.98 [380.5mm]	-	-	2.83 [71.96mm]	10.06 [255.52mm]	10.06 [255.52mm]	-	-	-	13.86 [352mm]	1.864 [46.58mm]	1.06 [26.92mm]	3.06 [77.70mm]
20"	20.67 [525mm]	14.98 [380.5mm]	-	-	2.83 [71.96mm]	11.18 [283.97mm]	11.18 [283.97mm]	-	-	-	12.60 [320mm]	1.344 [34.14mm]	-	3.06 [77.70mm]
22"	22.64 [575mm]	19.39 [492.5mm]	-	2.62 [66.55mm]	2.83 [71.96mm]	12.31 [312.67mm]	12.31 [312.67mm]	13.86 [352mm]	15.12 [384mm]	17.64 [448mm]	18.90 [480mm]	.824 [20.93mm]	-	3.06 [77.70mm]
24"	24.61 [625mm]	19.39 [492.5mm]	-	2.62 [66.55mm]	2.83 [71.96mm]	13.06 [331.72mm]	13.06 [331.72mm]	-	-	15.12 [384mm]	18.90 [480mm]	2.825 [71.76mm]	1.06 [26.92mm]	-
26"	26.57 [675mm]	23.80 [604.5mm]	7.06 [179.24mm]	3.25 [82.55mm]	2.83 [71.96mm]	14.18 [360.17mm]	14.18 [360.17mm]	-	-	15.12 [384mm]	21.42 [544mm]	2.305 [58.55mm]	1.06 [26.92mm]	3.06 [77.70mm]
28"	28.54 [725mm]	23.80 [604.5mm]	7.06 [179.24mm]	3.25 [82.55mm]	2.83 [71.96mm]	15.31 [388.87mm]	15.31 [388.87mm]	-	16.38 [416mm]	18.90 [480mm]	23.94 [608mm]	1.785 [45.34mm]	1.06 [26.92mm]	3.06 [77.70mm]

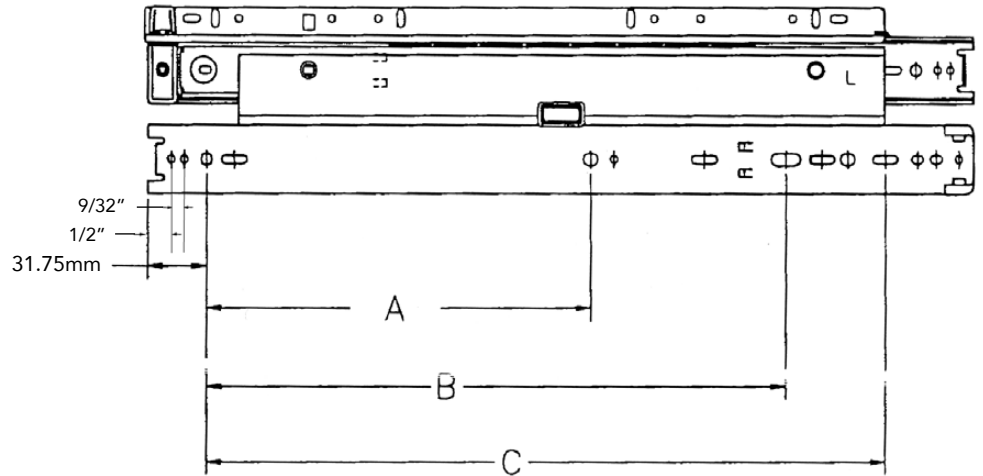
Product	Low Profile Drawer Slide	Height	2.58" (Includes QD Rail)	Hardware	#8 x 7/16" Wood Screw
Mounting	Side	Finish	Zinc Plated	Sizes	12", 14", 16", 18", 20", 22", 24", 26" and 28"
Clearance	.50"	Travel	Over Travel	Packaging	Bulk Pack (6505B) All Sizes, 5 pr/ctn.
Load Rating	125 lbs.	Action	Telescopic		



**KV 8500
and
KV 8505**

File Drawer Slide

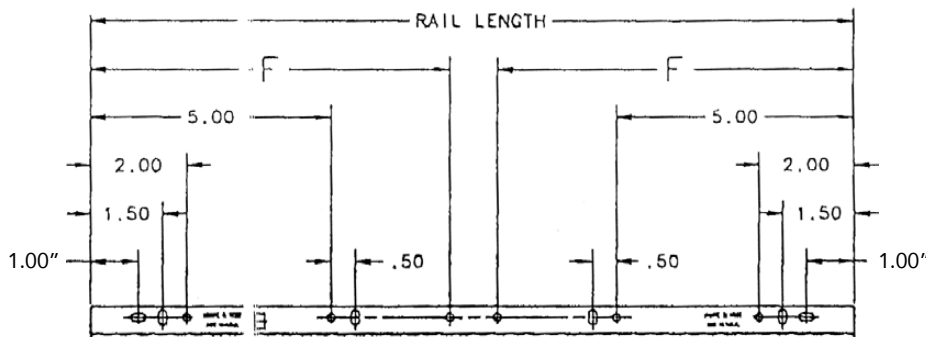
Load Cap: 150 lbs.



**KV 8500 and
KV 8505
Cabinet Member
Hole Pattern**

Slide Length	#8500 Travel	#8505 Travel	Rail Length	A	B	C
12"	11 23/32"	13 7/32"	10"	---	160mm	---
13"	12 23/32"	14 7/32"	11"	---	192mm	224mm
14"	13 23/32"	15 7/32"	12"	---	224mm	---
15"	14 23/32"	16 7/32"	13"	---	256mm	---
16"	15 23/32"	17 7/32"	14"	---	288mm	---
17"	16 23/32"	18 7/32"	15"	---	288mm	---
18"	17 23/32"	19 7/32"	16"	224mm	320mm	352mm
19"	18 23/32"	20 7/32"	17"	---	352mm	---
20"	19 23/32"	21 7/32"	18"	224mm	384mm	---
21"	20 23/32"	22 7/32"	19"	---	416mm	---
22"	21 23/32"	23 7/32"	20"	224mm	416mm	---
23"	22 23/32"	24 7/32"	21"	---	448mm	480mm
24"	23 23/32"	25 7/32"	22"	---	480mm	---
25"	24 23/32"	26 7/32"	23"	---	512mm	---
26"	25 23/32"	27 7/32"	24"	---	544mm	---
27"	26 23/32"	28 7/32"	25"	---	544mm	---
28"	27 23/32"	29 7/32"	26"	---	576mm	608mm
29"	28 23/32"	30 7/32"	27"	---	608mm	---
30"	29 23/32"	31 7/32"	28"	---	640mm	---

**KV 8500/8505
Drawer Member Hole Pattern**

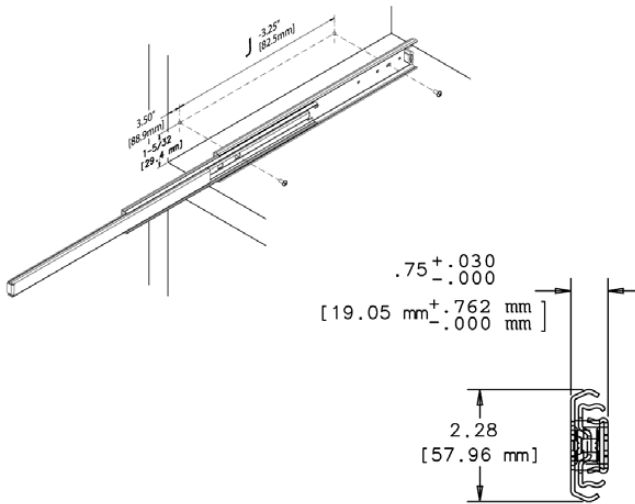
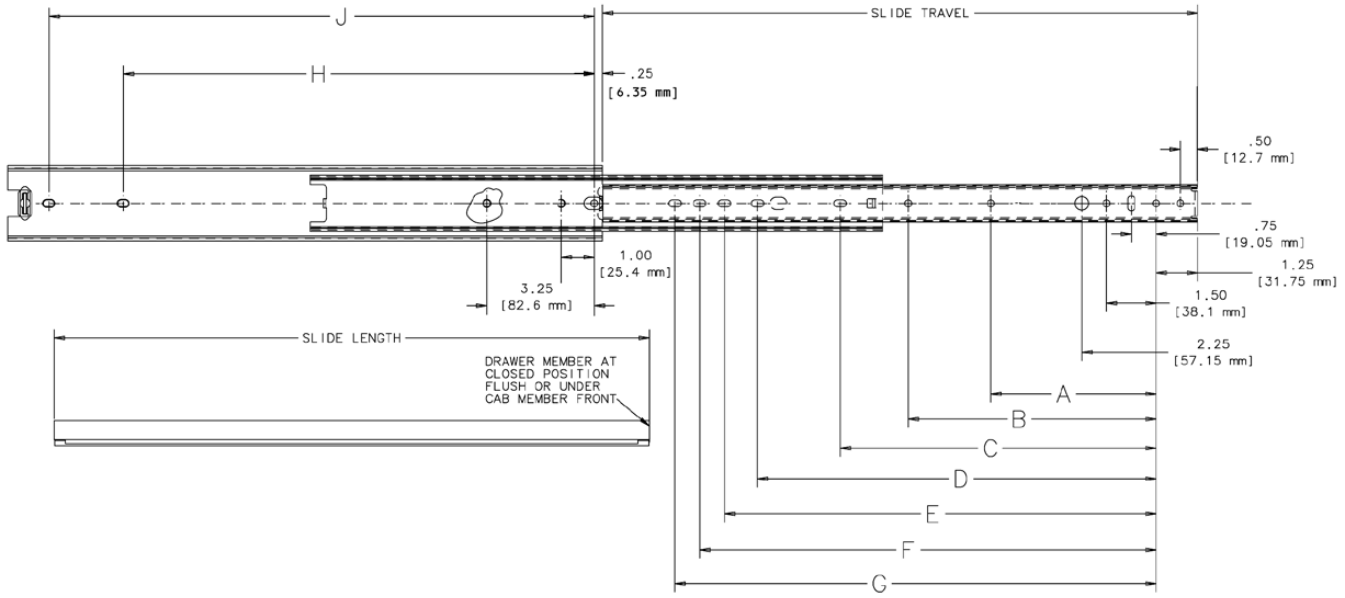


Rail Length	F
10"	---
11"	---
12"	---
13"	---
14"	---
15"	---
16"	---
17"	8"
18"	8"
19"	8"
20"	8"
21"	8"
22"	8"
23"	8"
24"	8"
25"	8"
26"	8"
27"	8"
28"	8"

KV8800

Load Cap: 200 lbs.

Heavy Duty Slide



Dimensions in [] are in millimeters.

SLIDE LENGTH	SLIDE TRAVEL	A	B	C	D	E	F	G	H	J
12.00 [304.8]	12.00 [304.8]	-	-	-	6.06 [154.0]	-	7.81 [198.4]	8.56 [217.5]	8.25 [209.6]	10.50 [266.7]
14.00 [356]	14.00 [356]	-	-	-	-	9.06 [230.2]	9.81 [249.2]	10.56 [268.3]	10.25 [260.4]	12.50 [317.5]
16.00 [406]	16.00 [406]	5.00 [127.0]	-	-	10.06 [255.6]	11.06 [281.0]	11.81 [300.0]	12.56 [319.1]	12.25 [311.2]	14.50 [368.3]
18.00 [457]	18.00 [457]	5.00 [127.0]	-	9.56 [242.9]	12.06 [306.4]	13.06 [331.8]	13.81 [350.8]	14.56 [369.9]	14.25 [362.0]	16.50 [419.1]
20.00 [508]	20.00 [508]	5.00 [127.0]	7.50 [190.5]	11.56 [293.7]	14.06 [357.2]	15.06 [382.6]	15.81 [401.6]	16.56 [420.7]	16.25 [412.8]	18.50 [469.9]
22.00 [559]	22.00 [559]	5.00 [127.0]	7.50 [190.5]	13.56 [344.5]	16.06 [408.0]	17.06 [433.4]	17.81 [452.4]	18.56 [471.5]	18.25 [463.6]	20.50 [520.7]
24.00 [610]	24.00 [610]	5.00 [127.0]	7.50 [190.5]	15.56 [395.3]	18.06 [458.8]	19.06 [484.2]	19.81 [503.2]	20.56 [522.3]	20.25 [514.4]	22.50 [571.5]
26.00 [660]	26.00 [660]	5.00 [127.0]	7.50 [190.5]	17.56 [446.1]	20.06 [509.6]	21.06 [535.0]	21.81 [554.0]	22.56 [573.1]	22.25 [565.2]	24.50 [622.3]
28.00 [711]	28.00 [711]	5.00 [127.0]	7.50 [190.5]	19.56 [496.9]	22.06 [560.4]	23.06 [585.8]	23.81 [604.8]	24.56 [623.9]	24.25 [616.0]	26.50 [673.1]

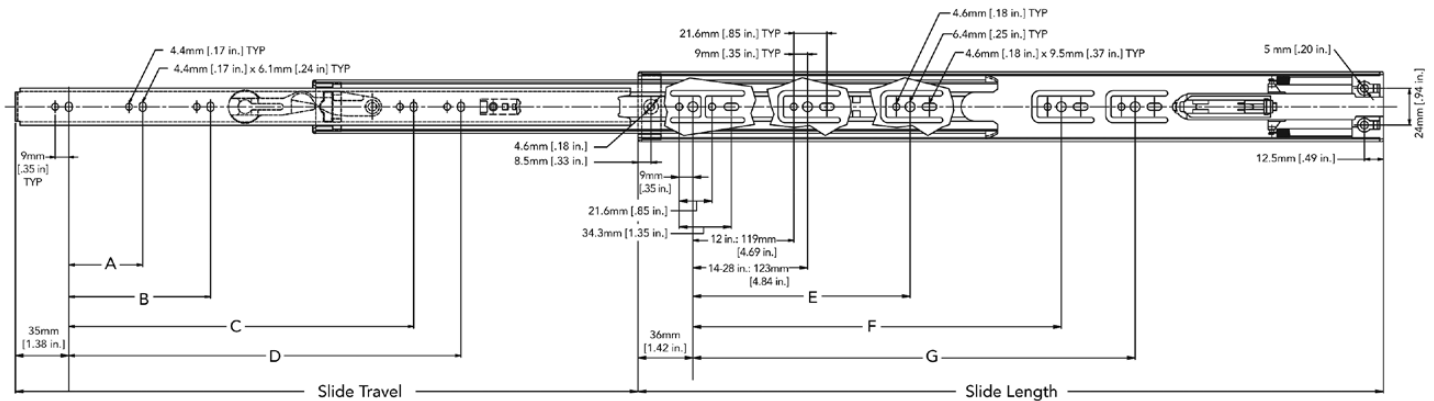
Note: This slide must never be used as a pullout step, platform or any other application supporting human weight as injury may result.

Product	Heavy Duty Drawer Slide	Height	2-9/32"	Hardware	Purchased separately: #10-32, 82° Flat head machine screws on the cabinet channel, #10-32 x .50" with #8 truss head screws on the drawer channel
Mounting	Side	Finish	Zinc Plated	Sizes	12", 14", 16", 18", 20", 22", 24", 26" and 28"
Clearance	.75" (+.030, -.000)	Travel	Full Extension	Packaging	Bulk Pack (8800B) All Sizes, 4 pr/ctn.
Load Rating	200 lbs.	Action	Telescopic		



GS4270 G-SLIDE SPECIFICATIONS - SOFT CLOSE

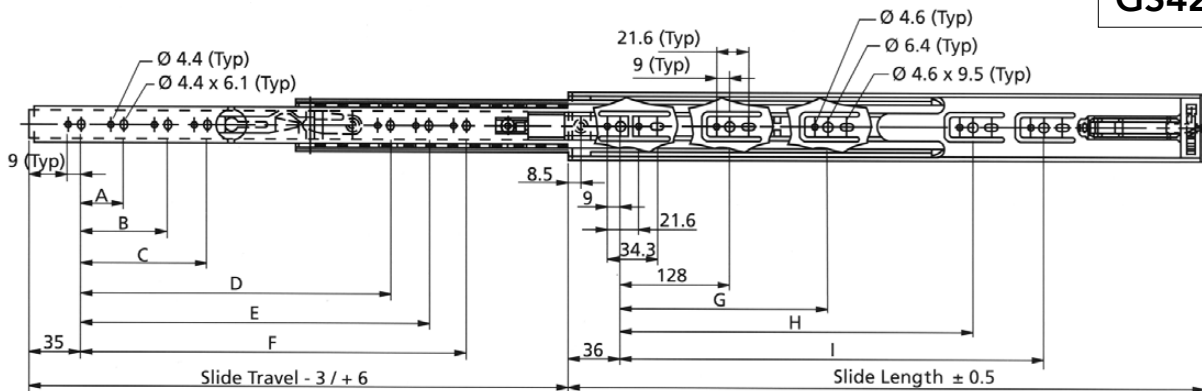
GS4270



Size	Slide Length	Travel	A	B	C	D	E	F	G
12"	300	213				156			
14"	350	303				200			
16"	400	404	96			256	208		
18"	450	455	128			294	256		
20"	500	505	96	160		344	304		
22"	550	555	96	160		394	224	352	
24"	600	605	128	192		444	224	352	
26"	650	655	128	224	416	494	224	352	448
28"	700	705	128	224	480	544	224	352	496

GS4260 G-SLIDE SPECIFICATIONS - PUSH OPEN

GS4260

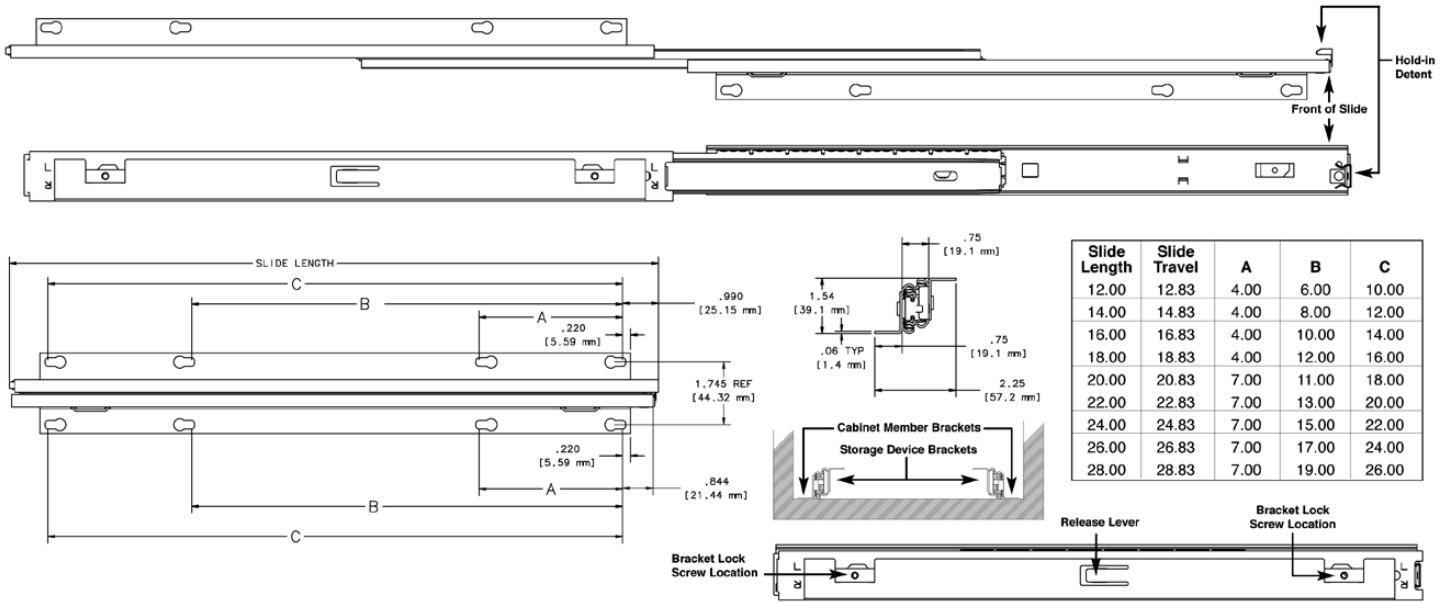


Travel	A	B	C	D	E	F	G	H	I	Width (mm)
306						200				400
356	96					256	192			450
406	128					294	224			500
457	96	160				344	288			550
508	96	160	352			394	224	352		600
559	128	192	384			444	224	352		650
610	128	224	416			494	224	352	448	700
660	128	224	416	480		544	224	352	480	750
711	128	224	288	480	544	594	224	352	544	800

KV8000

Load Cap: 130 lbs.

Pull Out Pantry Slide



Slide Length	Slide Travel	A	B	C
12.00	12.83	4.00	6.00	10.00
14.00	14.83	4.00	8.00	12.00
16.00	16.83	4.00	10.00	14.00
18.00	18.83	4.00	12.00	16.00
20.00	20.83	7.00	11.00	18.00
22.00	22.83	7.00	13.00	20.00
24.00	24.83	7.00	15.00	22.00
26.00	26.83	7.00	17.00	24.00
28.00	28.83	7.00	19.00	26.00

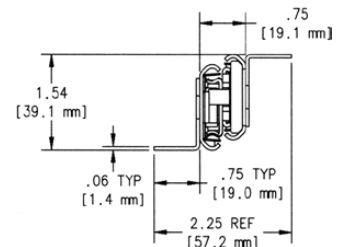
INSTALLATION INSTRUCTIONS

When installing the KV® 8000 slide, it is recommended that both the right and left cabinet member brackets be installed first. When this is done the slides can be attached to the cabinet member brackets with the hold-in detent facing forward (figure 1).

The remaining two brackets can be attached to the storage device and set into place on the slides. When unit is completely installed it is recommended that the eight bracket locking screws be installed.

1. Mark a line at least 1/4" in from the right side of the cabinet opening and parallel to the cabinet side.
2. Locate a point on this line 1.00" back from the desired front of the slide.
3. Using #8 pan or round head screws, mount the cabinet member bracket through the first hole at this point.
NOTE: For maximum strength, ensure that the hold-in bumper is installed at the front of the drawer.

4. Mount the left hand slide similarly, locating the screw centerline of the cabinet member bracket at least 1/4" in from the left side of the opening.
5. Keeping the right and left hand slides parallel, install the remainder of the cabinet member screws.
NOTE: When using soft materials, such as particle board, replace rear cabinet mounting screws with through bolts.
6. Attach the slides to the right and left cabinet member brackets by sliding the bracket tabs through the belt loops located on the side of the slide. The bracket release lever will snap into place.
7. Attach the two remaining two brackets to storage device. When this is done the storage device can be installed onto the slides.
8. Attach the 8 bracket locking screws to secure the unit.



Product Undermount Storage Slide

Mounting Bracket

Clearance .75" Slide only

Load Rating 130 lbs.

Height 1.54"

Finish Anochrome

Travel Slide Length + 0.83"

Action Telescopic

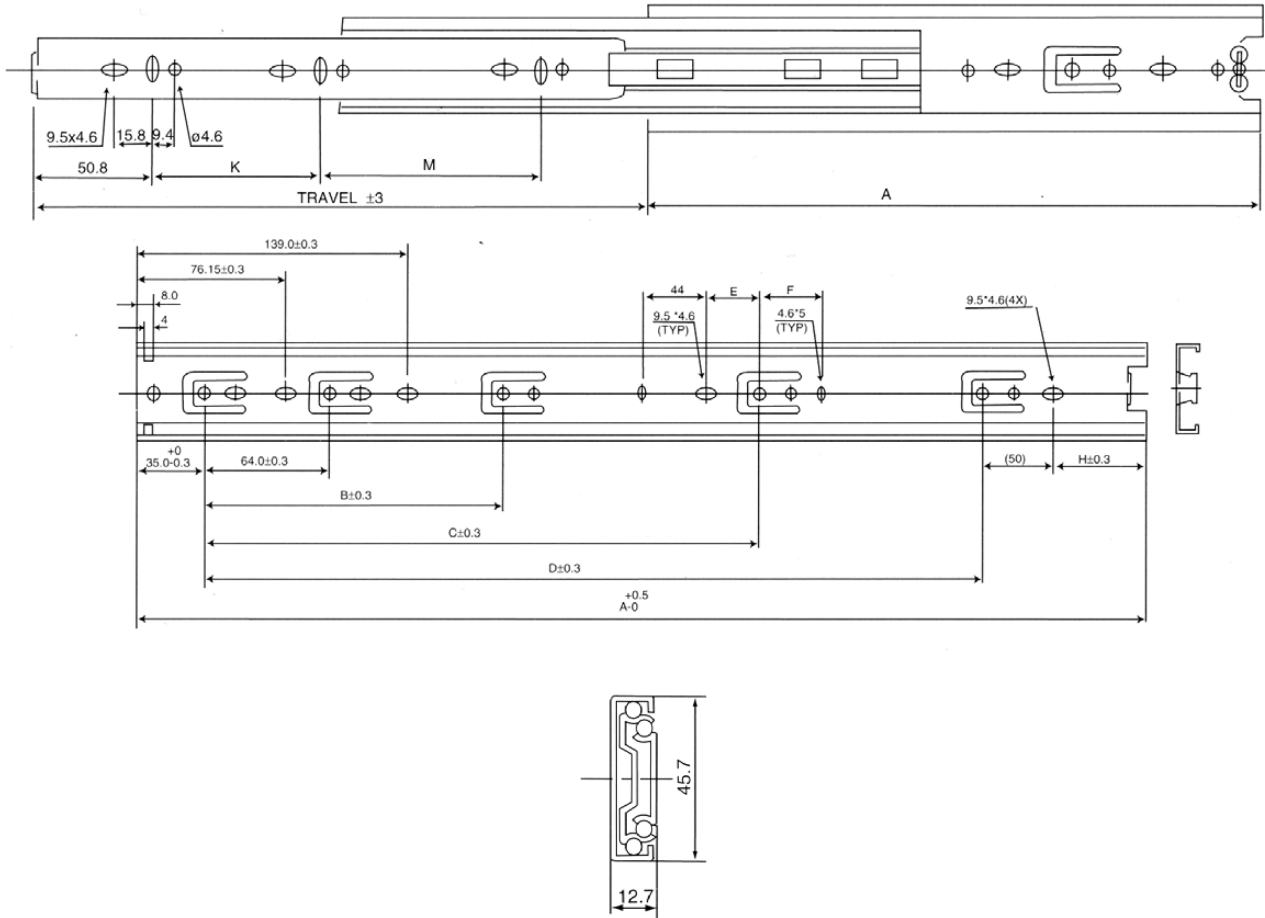
Hardware 16 - #8 x 5/8 pan head mounting screws
8 - 8 x 3/16 pan head bracket locking screws

Sizes 12", 14", 16", 18", 20", 22", 24", 26" and 28"

Packaging Poly pack (8000P)
All Sizes, 5 pr/ctn.

ENTERPRISE X45 SPECIFICATIONS

Load Cap: 100 lbs.

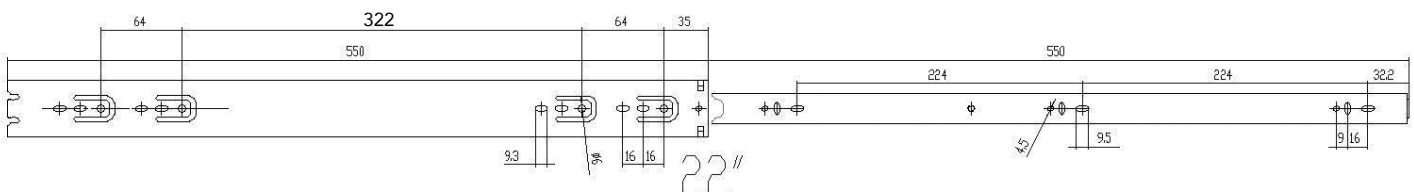
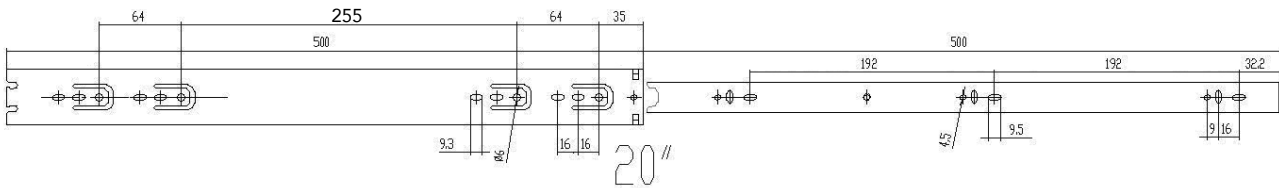
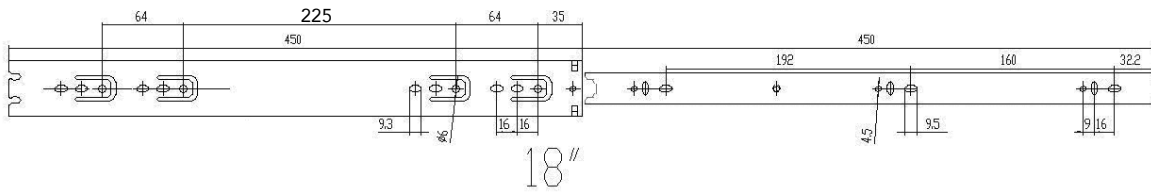
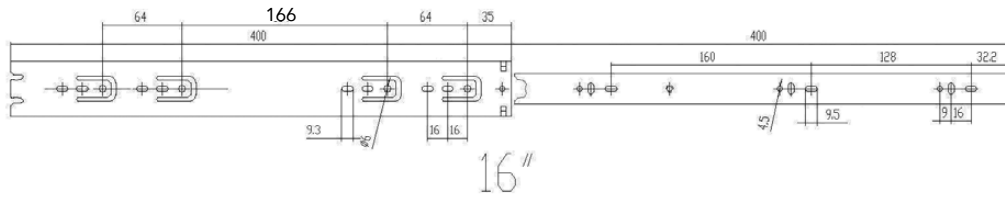
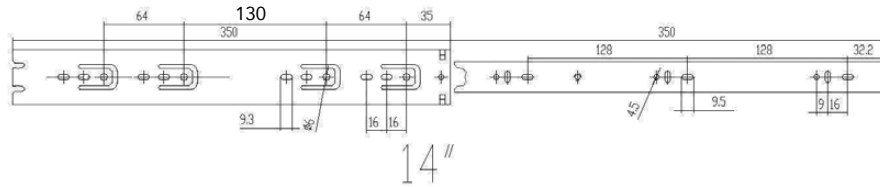
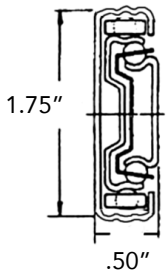


ITEM NO.	Slide A Length (mm)	Travel (mm)	B (mm)	C (mm)	D (mm)	E (mm)	F (mm)	H (mm)	K (mm)	M (mm)	Weight (kg/pr)
X45-10	254.0 (10")	254.0	224	/	/	/	/	/	164	/	0.77
X45-12	304.8 (12")	304.8	224	/	/	/	/	/	96	128	0.94
X45-14	355.6 (14")	355.6	224	/	/	/	/	46.6	128	128	1.08
X45-16	406.4 (16")	406.4	224	288	/	/	/	33.4	160	160	1.26
X45-18	457.2 (18")	457.2	224	352	/	25.45	32.15	/	160	192	1.40
X45-20	508.0 (20")	508.0	224	352	416	25.45	32.15	/	192	224	1.58
X45-22	558.8 (22")	558.8	224	352	416	25.45	32.15	57.8	224	256	1.74
X45-24	609.9 (24")	609.9	224	352	480	25.45	32.15	44.8	256	256	1.92
X45-26	660.4 (26")	660.4	224	352	544	25.45	32.15	31.8	288	288	2.06
X45-28	711.2 (28")	711.2	224	352	544	25.45	32.15	82.2	288	288	2.23



ENTERPRISE K45 SPECIFICATIONS

Load Cap: 75 lbs.



15