

Company: _____
 Contact Name: _____
 Address: _____
 City / State / Zip: _____
 Phone #: _____
 Email: _____

Email form to your authorized distributor:

Authorized Distributor: _____
 Branch Location: _____
 Email / Fax: _____
 Project Name: _____
 Date: _____ PO#: _____

① Profile Type

- AF001** (Max Height 48")
- AF002 AF003
- AF004 AF005
- AF006* AF007
- AF008** AF009
- AF010* AF011

*AF006 & AF010 available with opaque Backpainted Glass & Mirror inserts ONLY

** AF001 & AF008 are Narrow Profiles. Hinge fabrication must be done by Element Designs.

② Profile Finish

– Anodized Finish

- Natural Anodized (N)
- Brushed Stainless (S)
- Chrome (C) (AF003 & AF010 ONLY)
- Arctic Gold (AG) (AF003 ONLY)
- Brushed Black (BB) (AF003 ONLY)

– Powder Coat Finish

- Oil Rubbed Bronze (ORB)
- White (W) Black (B)
- Onyx (X)

③ Insert Type (select one) all inserts are 5/32" (4mm)

– Standard Glass Inserts:

- | | | |
|------------------------------|---------------------|-------------------|
| Satin (Acid Etched) | Listral D | Mirror |
| Clear | Master Carré | Bronze Clear |
| Low-Iron Clear | Reeded (Vertical) | Grey Clear |
| Low-Iron Satin (Acid Etched) | Reeded (Horizontal) | Bronze Reflective |
| | | Grey Reflective |

– Backpainted Glass Inserts:

Finish & Paint Color(select one): Standard Colors: White, Black, Bronze, Silver, Scarlett, Olive, Sand, Mocha, Slate
 Gloss OR Matte
 Standard Color: _____
 Non-Standard or Custom* Color: _____

*Custom Color match approval & fee applies. Contact Element Designs for details.
 **Backpainted glass has a light gray backer, unless otherwise specified

– 3form® Resin Inserts:

Pattern: _____

– PARAPAN® High Gloss Inserts:

Color: _____

– Metallic Inserts:

- Aluminum Laminate
- Platinum Ice Acrylic
- Stainless Lam. (Vertical)
- Stainless Lam. (Horizontal)

– decoLEATHER:

- Coal Buffalo
- Antique Brown Walrus
- Grey Thunder Buffalo

– Custom Etch: Positive Negative

*Art work must be supplied, subject to set up fee. Contact Element Designs for details.
 All glass is tempered safety glass & will not have etched tempered logo unless otherwise specified at time of order. Refer to local building codes.

NO INSERT

④ Hinge Hardware Selection

Wide Frame:

- QTY: _____
 Full Overlay (35mm cup)
 Soft Close (71B3550)
 Self Close (71T5550)
 Free Swing (70T3550)

Half Overlay (35mm cup)

- Soft Close (71B3650)
- Self Close (71T5650)
- Free Swing (70T3650)

Narrow Frame*:

- QTY: _____
 Full Overlay (Narrow)
 15mm Soft Close** (71B950A)
 17mm Self Close (71T550A)
 19mm Self Close (C276A99)
 15mm Free Swing (72T550A)

Half Overlay (Narrow)
 Soft Close** (71B960A)

**Hinge cup will be visible with translucent inserts

Hinge Mounting Plates: QTY: _____
 0mm (173H7100) Do not include mounting plates

Include Tip On Hardware: Yes QTY: _____

⑤ Decorative Hardware & Handles

Drill for handle holes (Must specify handle location on pg 2)

Natural Anodized		Brushed Stainless & ORB	Various Finishes
Knobs	Bar Pulls	Bar Pulls	Finger Pulls
K001	P1-127	P1-76S	P2-42
K005	P1-190	P1-192S	P2-42S
K006	P1-250	P1-320S	P2-42ORB
K007	P1-380	P1-76ORB	P2-42W
K008	P1-640	P1-192ORB	P2-42B
K009	P1-880	P1-320ORB	P2-42X
QTY: _____			Other

Item	Qty	Dimensions		in OR mm	Left (L)	Right (R)	Up (U)	Drawer (D)	Panel (P)	# Hinge Bore per Door	Element Designs Use Only	
		Width	Height								Price	Ext. Price
1					L	R	U	D	P			
2					L	R	U	D	P			
3					L	R	U	D	P			
4					L	R	U	D	P			
5					L	R	U	D	P			
6					L	R	U	D	P			
7					L	R	U	D	P			
8					L	R	U	D	P			
9					L	R	U	D	P			
10					L	R	U	D	P			
11					L	R	U	D	P			
12					L	R	U	D	P			

Special Instructions:

Knobs/Pulls:	
Hardware:	
Shipping:	
TOTAL:	

Hinge and Handle Specs

Line Item #(s) _____

Please make copy and fill out 1 sheet for each different boring pattern.

Hinge Borings

X1 = _____ or B = _____ (std=6MM)
(std=23.5mm / 0.925")

X2 TOP/LEFT = _____ (minimum=3")
(std=3 1/2")

X2 BOTTOM/RIGHT = _____ (minimum=3")
(std=3 1/2")

X3 = _____ (optional) ** For equally spaced hinges,
 please use "equal" or
 X4 = _____ (optional) "centered" to fill in the X3,
 X5 = _____ (optional) X4 and X5 fields

Handle Borings

of Holes: _____

K1 = _____ (Knob or Pull)
(standard=centered on frame)

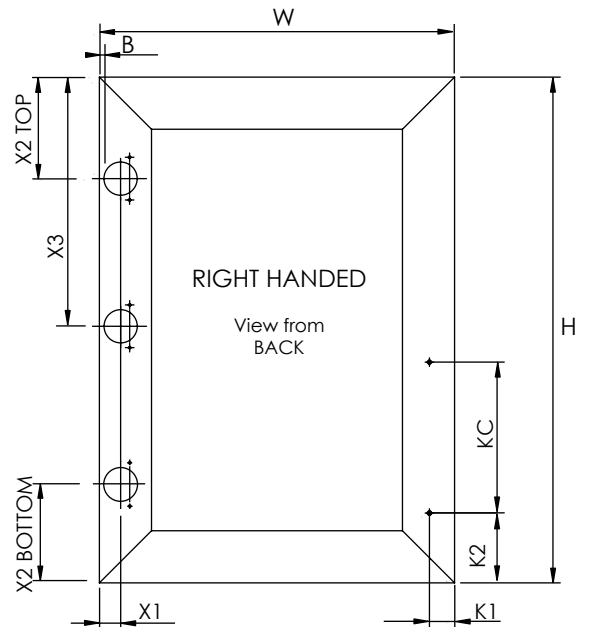
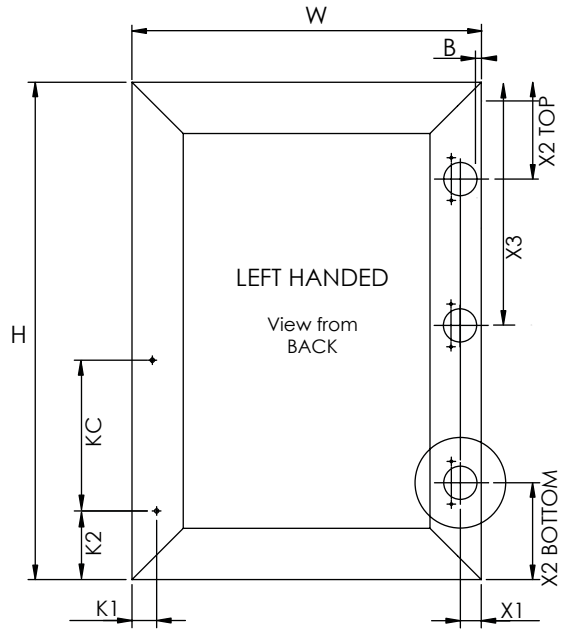
K2 = _____ (Knob or Pull)
(Minimum=2 1/4") (standard=2 1/2")

KC = _____ (Pull only)
(center to center distance)

Aluminum Handle Hole Diameter = 11/64" (4mm)

Glass Handle Hole Diameter = 5/16" (8mm)

Contact Element Designs for special hardware borings (e.g. lift-up systems)



Hinge Boring Specs

