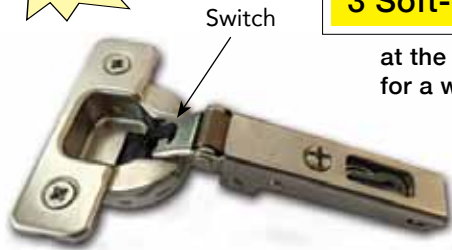


## SALICE SWITCH HINGE

Soft Close with Adjustable Settings

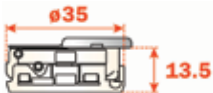


**3 Soft-Closing speeds**

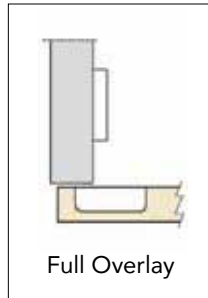
at the touch of a switch - for a wide range of doors.

**\$ 1.99 /ea.**

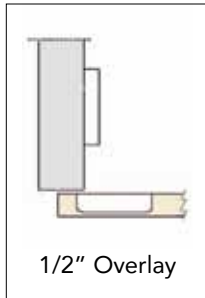
C7R6AG9 Full Overlay  
C7R6DG9 1/2" Overlay



700 Series drills at 13.5 (17/32") cup depth

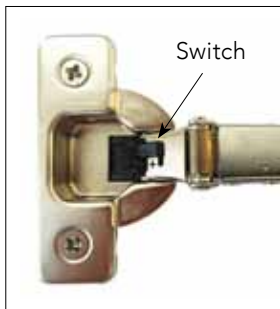


Full Overlay

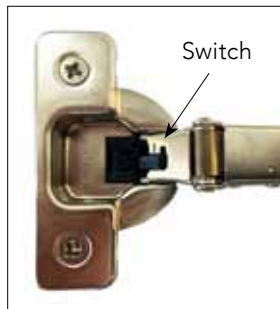


1/2" Overlay

- Soft Close with 3 Door Settings:  
Heavy (with '+' sign showing on both hinges)  
Medium (with one '+' sign and one '-' on each hinge)  
Light (with '-' sign showing on both hinges)
- Full Overlay, 1/2" Overlay
- 110 Degrees
- Dowels



Switch in Heavy '+' position



Switch in Light '-' position

### Switch Hinge, Soft Close - with Dowels

Code	Description	Net 50	300
C7R6AG9	110°, Full Overlay	\$ 2.19	\$ 1.99
C7R6DG9	110°, 1/2" Overlay	2.19	1.99

## SALICE Waste / Recycle Pull-Outs



- Easy to Install
- Bottom Mount, Soft Close
- Smooth Undermount Slides
- Door mount brackets improve stability: 15" vertical centers
- Bins equipped with handles to lift cans up
- Depth: 19-5/8", Height: 19-1/2"

Code	Description	Net/ea
QPAM12-1C	Single 35 Qt, 12"W Base pull-out	\$ 70
QPAM15-2C	Double 32 Qt, 15"W " "	89
<b>QPAM18-2C</b>	<b>Double 32 Qt, 18"W " "</b>	<b>102</b>
QPAM21-2C	Double 35 Qt, 21"W " "	122



## SALICE excentra 3

Soft-Close Compact

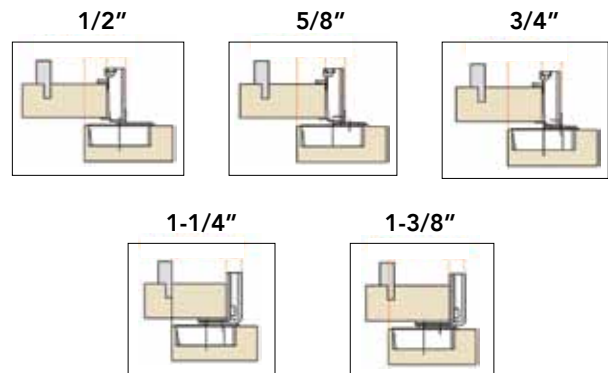


### 3 CAM ADJUSTMENT

Salice Soft Close  
2-Speed Switch  
Tabs from 2.5 - 6mm  
Cam Depth, Cam Height, Cam Side Adjustment

CUR37D9R

Speed Switch



### 3 Cam Adj. - Depth / Ht / Side with Dowels

Code	Description	10	300
CUR37D9R	1/2" Overlay	\$ 2.54	\$ 2.15
CUR35D9R	5/8" Overlay	2.54	2.15
CUR34D9R	3/4" Overlay	2.54	2.15
CUR3AD9R	1-1/4" Overlay	2.59	2.17
CUR3CD9R	1-3/8" Overlay	2.59	2.17



See videos at [macmurraypacific.com/videos.html#salice](http://macmurraypacific.com/videos.html#salice)

**KNIFE/UTENSIL BASE ORGANIZER**  
with Soft Close Undermount Slides



- Features 2 universal knife inserts
- 8C includes one 5-1/4" x 6-7/8" stainless steel bin, 11C includes two 5-1/4" x 6-7/8" bins and two 5" x 5-7/8" stainless steel bins
- Easy to clean

448KB-BCSC-11C

- Includes door mount brackets & adjustable rub bushings
- Adjustable rear wall for extra strength and stability
- Knife inserts feature movable flex rods that adjust to hold a multitude of knives

Code	Dimensions	Net/ea
448KB-BCSC-8C	8"W x 21-5/8"D x 25-1/2"H	\$ 255
448KB-BCSC-11C	11"W x 21-5/8"D x 25-1/2"H	295

**UTENSIL BIN BASE ORGANIZER**  
with Soft Close Undermount Slides



- Adjustable shelves and rear wall for extra strength and durability
- 3 stainless steel bins
- Sizes accommodate 5-1/2" and 8-1/2" min. cabinet openings

448UT-BCSC-8C

Code	Dimensions	Net/ea
448UT-BCSC-5C	5-1/2"W x 21-5/8"D x 25-1/2"H	\$ 170
448UT-BCSC-8C	8"W x 21-5/8"D x 25-1/2"H	194

**REV-A-SHELF WOOD HALF MOON GLIDE-OUT**



- Solid 1-5/8" Maple Rim
- Smooth radius ends
- Non-handed: LH or RH
- UV cured clear coat finish
- Smooth pivot & extension



Two Shelf Glide-Out  
Rounded ends

Code	Size	Min opening	Net/ea
4WLS882-32-570	32"	12"	\$ 166
4WLS882-35-570	35"	15"	189
4WLS882-38-570	38"	18"	219

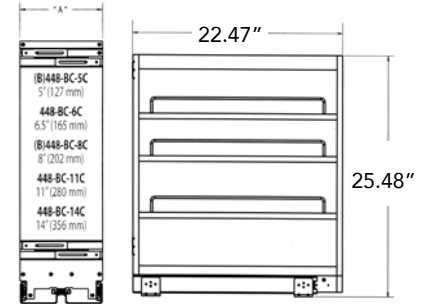
**REV-A-SHELF PULL-OUT BASE ORGANIZER**



448-BC-8C

- Micro door adjustment

- 7 Sizes
- Adjustable Shelves



Pull-out Base Organizer contains: 3-tier pull-out, chrome side rails and full extension "tri-slides" for complete stability and easy installation.

Code	Dimensions	Net/ea	3+
448-BC-5C	5" W x 25-1/2" H x 22-1/2" D	\$ 69	\$ 62
448-BC-6C	6.5 W x 25-1/2" H x 22-1/2" D	91	89
448-BC-8C	8" W x 25-1/2" H x 22-1/2" D	79	76
448-BC-11C	11" W x 25-1/2" H x 22-1/2" D	159	152

**Soft-Close Blum Tandem**

		Net/ea	2+
448-BCSC-5C	5" W x 25-1/2"H x 21-5/8"D	\$ 123	118
448-BCSC-6C	6-1/2" W x 25-1/2"H x 21-5/8"D	144	137
448-BCSC-8C	8" W x 25-1/2"H x 21-5/8"D	132	125
448-BCSC-9C	9-1/2" W x 25-1/2"H x 21-5/8"D	165	162
448-BCSC-11C	11" W x 25-1/2"H x 21-5/8"D	170	163

**BANDED WOOD KIDNEY LAZY SUSAN**



32" Set /  
\$ 84

LD-4BW-472

24", 28" & 32"



Doweled  
Butt Joint



Laminated  
Hardwood  
Rim

- 2" Banded Wood Rim
- Doweled (2) Butt Joint
- 5/8" Thick Maple Tray Bottom
- Almond Polymer Hubs
- Polymer Bearings

Code	Size	Net/ea	Net/3+
LD-4BW-472-28-1	28" Dia.	\$ 77.00	\$ 72
LD-4BW-472-32-1	32" Dia.	89.50	84

## UNDERMOUNT WASTE CONTAINERS

53WC - Soft Close, Single & Double Containers



- Single & Double 35 & 50 Qt. Soft Close Waste Containers
- Full Extension Soft-Close slides - 90 lbs. capacity
- Door mount brackets included
- Removable Rear Basket on Single version
- Fast Bottom Mount install
- Order Frame, Bins and Lids Separately

### Frame Dimensions

53WCF-117SC-48: 10-7/8" W x 22-1/4" D x 19" H  
 53WCF-217SC-48: 14-3/8" W x 22-1/4" D x 19" H

Frames	Description	Net/ea
53WCF-117SC-48	Single Bin Frame	\$ 85.00
53WCF-217SC-48	Double Bin Frame	85.00
Bins		
RV-35-17-8	Silver 35 Qt. Bin	\$ 6.99
RV-50-17-8	Silver 50 Qt. Bin	13.85
Lids		
RV-35-LID-17	Silver 35 Qt. Lid	\$ 9.99
RV-50-LID-17	Silver 50 Qt. Lid	10.99



**CHEF PANTRY**  
Made in Germany

**12 Minute Install**  
**Soft-Close Pantry**

**Full Depth: 22-3/4"**

**High Capacity: 23% more storage**

**Door adjusts:**

Height, Side, Door Warp & Tilt



Chrome Plated Baskets



Maple Melamine base, silver powder coated baskets



- 12 Minute Install
- Door adjusts for: Height, Side, Door Warp & Tilt
- Baskets Adjust in 2-1/2" steps
- Synchro-action : 265 lbs.
- Five widths : 9" - 20"
- Any height: 26" - 84"

	Height	Height
9037	25-1/2" - 37"	9067 57" - 67"
9047	37-1/2" - 47-1/4"	9076 67" - 76-3/4"
9057	47-1/4" - 57"	9091 74-3/4" - 84-1/2"

**Specify Width and Basket type when ordering:**  
**'C' for Chrome baskets or 'M' for Maple baskets**

Example: 9076-11C.

	# of Bskts	8-7/8"	11-5/8"	14-3/8"	17-1/8"	19-7/8"
<b>Chrome</b>						
9037-	2	\$ 390	\$ 394	\$ 400	\$ 405	\$ 409
9047-	4	391	400	412	419	430
9057-	4	392	400	413	421	431
9067-	4	404	414	424	432	442
9076-	6	476	490	506	518	532
9091-	6	480	494	510	522	536

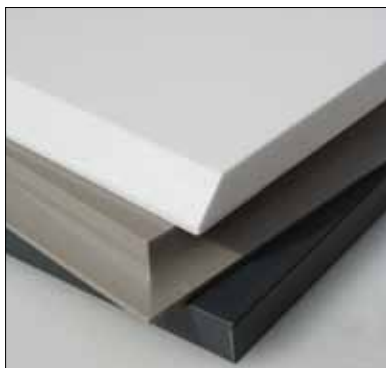
	# of Bskts	8-7/8"	11-5/8"	14-3/8"	17-1/8"	19-7/8"
<b>Maple</b>						
9037-	2	\$ 434	\$ 442	\$ 457	\$ 472	\$ 480
9047-	4	482	497	526	555	569
9057-	4	482	498	527	556	571
9067-	4	494	512	538	567	583
9076-	6	611	636	677	721	743
9091-	6	615	639	681	725	746



MacMurray Pacific

High Gloss Solid Surface

PARAPAN® Doors : 19 colors





**VAUTH-SAGEL**

**WARI CORNER**  
Made In Germany. 2 Sizes.



Left Hand Installation shown.

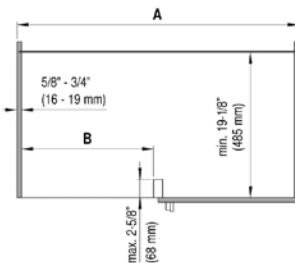
**\$ 369**      **Wari corner®**

When opening, front baskets swing sideways for free access to rear baskets. Silent and Smooth soft-close action.

- Smooth soft close system
- Easy assembly of door fronts with central height adjustment
- Independent width door mount bracket
- Height adjustable top baskets
- Tool-less door attachment
- Inside height min. 20-7/8"
- Load capacity:      Door basket - 17.6 lbs.  
                                 Cabinet basket - 21 lbs.
- Chrome Finish / Frame Silver powder coat

Cabinet Dimensions

Code	Cab Width A	Door Opening B
90004164	31-1/2"	14-1/2" - 16-1/2"
90004165	31-1/2"	14-1/2" - 16-1/2"
90003890	35-1/2"	16-1/8" - 22-3/8"
90003891	35-1/2"	16-1/8" - 22-3/8"



**YouTube** See videos at MacMurrayPacific.com

Packing: 1 set/box,  
Includes all parts, 4 baskets and instructions

Code	Hand	Door Width	Net
90004164	RH	15-3/4" - 17-3/4"	\$ 369
90004165	LH	15-3/4" - 17-3/4"	369
90003890	RH	17-3/4" - 23-1/2"	395
90003891	LH	17-3/4" - 23-1/2"	395

**FURNITURE PADS**

New Haven

Added protection for your cabinets during shipping! Furniture pads feature one piece cotton and jute filling, zig-zag stitching, quality 4 side double-stitched binding and triple-stitched corners. 72" x 80".

**CS-7280** Furniture Pad. Weighing 75-80 pounds per dozen, being made with an outer cover of Dark Blue/Light Blue resilient polyester fiber, this model is just right for local moves.



**200-7280 Economy** Furniture Pad offers affordable protection where durability is not required. Finished weight at 40-42 lbs/dz. Made from Heavy Duty non-woven synthetic material both sides. Zig-zag quilted with double stitched binding and square corners for firmness and neatness.

Code	Description	Ctn	1-11	12+
CS-7280	Furniture Pad	12	\$ 12.50	\$ 11.99
200-7280	Economy Pad (New)	12	9.00	8.00

**HEAVY DUTY DOLLY**



Heavy Duty Dolly, 19" x 32". Constructed with 4" casters, grey, non-marring tread and ball bearing axles. 1,000 lb capacity.

Code	Description	Net/ea
HD1932-4	Heavy Duty Dolly	\$ 49.00

**STANDARD DUTY DOLLY**



Thick carpeting protects furniture against scratching and marring. Wide 6" end rails give added support under heavy loads. Shaped inside edge for easy handling. Load Cap: 700 lbs. Frame Size: 18" L x 30" W.

Code	Description	Net/ea
DL31830-MS	Standard Duty Dolly	\$ 29.00





## Senco Nail Guns and Fasteners

**FP18 \$ 82**

This Brad Nailer drives 18 gauge nails from 5/8" to 2-1/8".

2.48 lbs, Capacity: 110



**FP25 \$ 168**

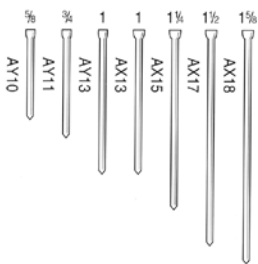
This Brad Nailer drives 18 gauge nails from 5/8" to 2-1/8".

2.7 lbs, Capacity: 110



### 18 Ga. Straight Strip Brad Nails Galvanized Steel

AX = Medium Head Brad  
AY = Slight Head Brad



Code	Size	1 Bx	2+
AY10	5/8"	\$ 17.72	\$ 16.83
AY11	3/4"	19.54	18.56
AY13	1"	20.65	19.61
AX13	1"	10.92	10.37
AX15	1-1/4"	9.91	9.42
AX17	1-1/2"	11.05	10.50
AX18	1-5/8"	20.60	19.57



### Domino DF 500 Q Mortise and Tenon Joiner Set

Domino Joiner DF 500 Q Set (including trim stop and cross stop) for fast, easy and strong mortise and tenon joining. 4-10mm in width, up to 50mm deep.



- Unique, patented cutting action to create perfect, clean, and repeatable mortises every time
- Mortise width adjustment with the turn of a dial
- Pivoting Fence allows angled mortises from 0-90° with positive stops at 22.5°, 45°, 67.5°
- Indexing pins for quick, accurate placement

Code 574432 Price \$ 970



### PSA DISCS



Series A275 No-fil Magnum Premium Grit, 5" and 6" discs

"Champagne" discs feature premium "white" Aluminum Oxide grit. Open coat on flexible, tough B-weight paper. 100 discs per roll.

Code	Dia.	Net/RI	6 Roll Asst.
N5-100B, 120B, 150B, 180B, 220B, 320B	5"	\$ 34.16	<b>\$ 32.46</b>
N5-80B	5"	36.84	35.00
N6-100B, 120B, 150B, 180B, 220B, 320B	6"	49.68	47.70
N6-80B	6"	53.80	51.65



### NORTON WIDE BELTS

R216 Series - 2 /Ctn.



- Antistatic
- Heavy Y-wt. cloth
- Heat-treated Alum. oxide grit
- Made in USA.

Aluminum oxide grit is open coated and resin bonded on Y-weight cotton cloth belts.

Black in Color

"Plyweld" butt joints are smooth and reliable.

Size	Net/Grit		Net/Grit	
	100, 120, 150, 180	6+	60, 80	6+
N3760	\$ 57.50/ea.	\$ 51.75	\$ 58.69	\$ 54.69
N3775	60.98	58.52	68.63	65.89
N4360	78.32	74.41	68.00	65.00
N4375	74.82	71.07	68.00	66.67
N5275	88.51	84.97	97.00	93.00

### SUNGOLD 5" PSA ECLIPSE FILM DISCS

5" PSA Film Discs  
Flat Pack, 100 discs per box.

Light Aqua blue in color.



Code	Grit	Net/bx	Code	Grit	Net/bx
05006	80X	\$ 22.74	05010	180X	\$ 21.11
05007	100X	21.11	05011	220X	21.11
05008	120X	21.11	05012	320X	21.11
05009	150X	21.11			

**Valguard Conversion Varnish**



Valguard Conversion Varnishes have superior durability and UV protection. Ideal for kitchen and bath cabinets, tables and architectural millwork. Supplied ready to spray (after catalyzation).

- Surpasses all KCMA standards
- Fast drying: 30-45 min at 78°, 50 RH
- Outstanding flow and leveling
- Superior UV resistance

**Conversion Varnish Clear 550 VOC:**

Code	Description	Sheen	Gal size
5509-1	Gloss	90	1
5509-5	Gloss	90	5
5506-1	Semi-Gloss	60	1
5506-5	Semi-Gloss	60	5
5504-1	Soft Gloss	40	1
5504-5	Soft Gloss	40	5
5502-1	Satin	20	1
5502-5	Satin	20	5
5501-1	Matte	10	1
5501-5	Matte	10	5
4000.4000	Catalyst (4 oz per gal)		1

**Conversion Varnish Clear 275 VOC:**

Code	Description	Sheen	Gal size
4726-1	Semi-Gloss	60	1
4726-5	Semi-Gloss	60	5
4722-1	Satin	20	1
4722-5	Satin	20	5
4000.4000	Catalyst (3 oz per gal)		1

2850-5 Vinyl Sealer 5

Shelf Life: 18 months from the manufacturing date, 6-8 hour pot life @ 77F.

In Stock - Call for pricing

**ULTRA PENETRATING STAIN™**

Mohawk

A transparent dye stain that does not raise grain. Brush or spray on wood or mix in lacquer for toning. **30 Colors**, can be intermixed. 120 VOC. Greenguard.



Size	Net
1 Gallon (code 7)	\$ 38 /gal
1 Quart (code 6)	17 /qt

Code	Color	Code	Color
M520-203	Yellow	M520-249	Perfect Brown
M520-205	Mustard	M520-273	Modern Mahgny
M520-206	Light Walnut	M520-337	Golden Oak
M520-207	Med Brwn Walnut	M520-386	Med Mahogany
M520-209	Xtra Dark Walnut	M520-408	Cherry
M520-218	Lt Red Mahogany	M520-413	Green
M520-224	Black	M520-414	Blue
M520-227	Dk Red Mahogany	M520-415	Lt Golden Oak
M520-229	Brown Mahogany	M520-476	Burnt Sienna
M520-234	Med Dk Walnut	M520-477	Raw Sienna
M520-236	Brown Maple	M520-0143	Raw Umber
M520-238	Orange	M520-0205	Med Walnut
M520-240	Colonial Maple	M520-1435	Burnt Umber
M520-242	Red	M520-1478	Van Dyke Brown
M520-245	Oxblood	M520-2046	Lemon Yellow

\* 7 follows product code for Gal. sizes, 6 follows code for Qt. sizes.

**SUPER BOND ADHESIVE SYSTEM - Fastcap 2P10**

With 2P-10 you can easily glue the hardest joints in cabinetry without clamping!  
Bonding time: 10 seconds, Cure time: 30 seconds.

Sold Separately:  
12 oz. Activator,  
2.25 or 10 oz. Adhesives

Solo Kit:  
12 oz. Activator  
+ 2.25 oz. Thick Adhesive



- Thin
- Medium
- Thick
- Jel



Code	Description	Net/ea
2P10-ACTIVATOR	12 oz. Activator Aerosol	\$ 8.98
2P10-MINI	3.5 oz. Activator Aerosol	3.74
2P10-JEL-2	Jel Adhesive, 2.25 oz.	7.49
2P10-MED-2	Med Adhesive, 2.25 oz.	5.98
2P10-THICK-2	Thick Adhesive, 2.25 oz.	5.98
2P10-THIN-2	Thin Adhesive, 2.25 oz.	5.98
2P10SOLO	Kit Includes: 1 ea. 12 oz. Activator 1 ea. 2.25 oz. Thick Adhesive	14.96



## PREMIUM VENEER SHEETS Unglued

High grade sanded veneers. Backing provides stability and flexibility while helping to minimize splitting, grain-raise and glue seepage.

10 mil paperback. 1 sheet/box.



Code	Description	Net/ea	2+
FJK239	Rift White Oak, 4' x 8'	\$ 61	\$ 59
FJK454	Walnut, 4' x 8'	59	56
FJK457	White Oak, 4' x 8'	48	46
FJK461	Maple, 4' x 8'	48	46
FJK505	Alder, 4' x 8'	63	60
FJK456	Mahogany, 4' x 8'	53	51
FJK455	Cherry, 4' x 8'	55	53
FJK458	Red Oak, 4' x 8'	40	38
FJK452	White Birch, 4' x 8'	43	41

## 3M HALF FACEPIECE RESPIRATORS

7500 Series, Reusable

- Silicone material provides a softer feel on the face
- Unique adjustment design helps reduce tension and pressure points on the face for unsurpassed comfort
- Adjusts so user has the option to wear the respirator in either traditional or drop-down mode
- Valve design helps make breathing easier
- Helps reduce heat and moisture buildup for cool, dry comfort
- Use with 3M bayonet style cartridges and filters



Code	Size	Ctn	Net/ea
7502	Medium	10	\$ 28
7503	Large	10	29

## 3M ORGANIC VAPOR CARTRIDGE - 6001

NIOSH approved against over 80 organic vapors such as acetone, benzene, and carbon tetrachloride. Use with 3M Facepieces 6000 Series and 7000 Series with bayonet style cartridge holders. 2 ea per bg.



Code	Description	Ctn	Net/bg
6001	Replacement Cartridge	30 bgs	\$ 11

## CLEAR FINISHED EDGE BANDING

Genuine Wood Veneer



### Pre-Glued, 250' Rolls - Prefinished

Code	Width	Specie	Net/Roll	3+
KP-MP-58	5/8"	Maple	\$ 28	26
KP-CH-1316	13/16"	Cherry	33	31
KP-MP-1316	13/16"	Maple	35	33
KP-CH-78	7/8"	Cherry	34	32
KP-MP-78	7/8"	Maple	36	34

### Automatic, 500' Rolls - Prefinished Unglued

Code	Width	Specie	Net/Roll	3+
KTB-MP-58	5/8"	Maple	\$ 50	\$ 47
KTB-MP-78	7/8"	Maple	63	59
KTB-CH-78	7/8"	Cherry	55	53

## AUTOMATIC EDGE BANDING

Genuine Wood Veneer. Fleece-backed, Automatic Edgebanding. 7/8" Width, 500' Rolls. Unfinished. .5mm.



Code	Description	Net/Roll
K6-CH-78	Cherry, 7/8", 500'	\$ 32
K6-MP-78	Maple, 7/8", 500'	33
K6-RA-78	Red Alder, 7/8", 500'	33
K6-RWO-78	Rift White Oak, 7/8", 500'	49
K6-WL-78	Walnut, 7/8", 500'	35
K6-WO-78	White Oak, 7/8", 500'	35

**DRAWERS:** Pre-Assembled & Machined for Quadro, Grass, Enterprise and Salice Slides.



**Materials:** Solid Maple, Melamine, Maple 9-ply prefinished and unfinished, 7-ply prefinished Maple, MDF and more.

Rush Service avail.  
in Bay Area.

**Construction:** Dovetail, Butt Joint or Dowelled.

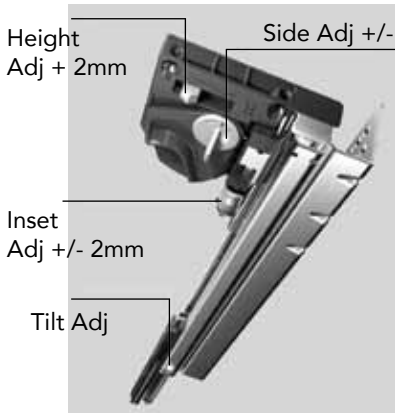
**Customer Specs:** Boxes guaranteed to size within 1/32" width, 1/16" height and 1/8" depth. All dimensions are O.D.

Fax Orders to: 415-552-8577  
or email: orders@macmurraypacific.com

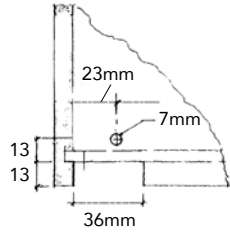


**QUADRO 4D UNDERMOUNT**

4-Way adjustment, Chrome steel bearings



**4D Adjustments**  
**Face Frame Friendly**



- Load cap: 100 lbs. when mounted to case side
  - Silent system: Easy open, soft quiet close
  - Tool-less height, side & depth adjust.
- Optional rear tilt.

Rear Tilt Bracket



Code	Size	Ctn	Net/5 pr	20 pr
9181140-41	9"	10 pr.	\$ 17.50	\$ 16.50
9181142-43	12"	10	17.50	16.50
9181144-45	15"	10	17.50	16.50
9181146-47	18"	10	16.95	16.18
9181148-49	21"	10	16.95	<b>16.18</b>
9181150-51	24"	10	31.25	27.95

Code	Description	Ctn	Net
9218980	Front Fixing Clips (pr), includes spacer	10	1.79 /pr
9205924	Tilt Adjustment LH	100	.76 /ea
9205925	Tilt Adjustment RH	100	.76
9055093	Metal Rear Bracket	10	1.32 /st



See video at [MacMurrayPacific.com/videos#hettich](http://MacMurrayPacific.com/videos#hettich)



**4D Euro Series IW20**  
**Quadro - 14 Sizes**



Code	Drawer Size	Code	Drawer Size
9181186-87	11", 280mm	9181200-01	<b>18"</b> , 450mm
9181188-89	<b>12"</b> , 300mm	9181202-03	19", 480mm
9181190-91	13", 320mm	9181204-05	<b>20"</b> , 500mm
9181192-93	<b>14.2"</b> , 350mm	9181206-07	21", 520mm
9181194-95	15.4", 380mm	9181208-09	<b>22"</b> , 550mm
9181196-97	<b>16"</b> , 400mm	9181210-11	23", 580mm
9181198-99	17", 420mm	9181212-13	<b>24"</b> , 600mm



**QUADRO 2D UNDERMOUNT**

2-Way adjustment, Steel bearings



Adjustable mounting

**Quadro 100 lb.**  
**\*Dynamic Load Cycles**



Less sag with all kitchen undermount drawers.

**Full Extension**

24" 21" 18" 15" 12" 9"

**21" = \$ 10.99**

Smooth soft close. WIC Approved at 100 lbs / 21".  
Elongated hole pattern allows setback adjustment.  
100 lb. ANSI/BHMA Grade 1.  
All Steel Bearings.



100 lbs.

5 pr/ Ctn.

IW21 Code	Max Drawer Box Length	Min. Cab Depth	Net 5+	20
9048793	18"	18-7/8"	\$ 11.98	10.79
9048776	<b>21"</b>	21-7/8"	<b>12.50</b>	<b>10.99</b>
9026839	Clips (pr)			1.32/pr
9055093	Rear Metal Adj. Brackets			1.29/pr

\* 100 lb. Dynamic load is cycle tested to ANSI/BHMA Grade 1 spec at 21" size. Listed and acknowledged by WI: [wicnet.org](http://wicnet.org)



**Hettich Quadro - 14 Sizes**

**Euro Series IW20**



**- In Stock**

Code	Drawer Size	Code	Drawer Size
904526700	11", 280mm	903971000	18", 450mm
904525100	12", 300mm	903968000	19", 480mm
904112900	13", 320mm	904114400	20", 500mm
903969700	14.2", 350mm	904537300	21", 520mm
903966400	15.4", 380mm	904538400	22", 550mm
904096700	16", 400mm	904540500	23", 580mm
903971700	17", 420mm	904541300	24", 600mm

**100 lb Dynamic Load**



## Grass SOFT CLOSE SLIDE



- Soft-pull, soft-close
- **100 lb.** dynamic load  
125 lbs. static
- Drawers up to **48" wide**
- Made in Austria; **Grass**
- **132 lb.** Heavy Duty Dynamic
- **Anti-racking**
  - Smooth and fluid movement
  - Progressive / syncro-motion - no pickup bump
  - Minimal side sway - great for wide drawers
  - No stabilizer bars needed

## 100 lb Dynamic



Side Adjustment

\* Inset Adjustment



Rear Tilt Adjustment

### 100 lb. Dynamic Load - Height / Side Adjustment

Code	Description	Net 5 pr.	Net 20 pr.
DP-9	9" soft-close slide	\$ 21.90	\$ 20.95
DP-12	12"	17.50	16.50
DP-15	15"	17.50	16.50
DP-18	18"	16.95	15.95
DP-21	21"	16.95	<b>15.95</b>

### 100 lb. Dynamic Load - 3D: Height/Side/Tilt Adjustment

DP-9-3D	9" soft-close slide	22.97	21.69
DP-12-3D	12"	18.95	18.50
DP-15-3D	15"	18.95	18.50
DP-18-3D	18"	18.95	17.95
DP-21-3D	21"	18.95	17.95

### 132 lb. Dynamic Load - 3D: Height/Side/Tilt Adjustment

DP-18-HD	18" heavy duty slide	\$ 35.00	\$ 31.55
DP-21-HD	21"	35.00	33.37
DP-24-HD	24"	39.19	37.41
DP-27-HD	<b>27"</b>	48.78	46.51
DP-30-HD	<b>30"</b>	55.50	52.72

DP-CL/CR	Front Clips, Ht & Side	.95/ea.	.90
DP-CL/CR-3D	Rear Tilt Clips LH, RH	.58/ea.	.47
7950	Rear Metal Bracket	.78/ea.	.75
*DP-I	Inset Adjuster - Snaps on all DP slides	2.52/pr.	2.45

## SALICE: Soft Close Undermount

### New Smoother

Full Extension Slide **\$ 13.50/pr**

### Face Frame Friendly:

Mounts on face frame or frameless 37mm. Mounts flat on cabinet floor.



75 lbs.

**Standard Box Sizes 21", 18", 15", 12"**

Packed: 6 pr/ctn.

Code	Drawer Length		Net		
	1/2" or 5/8"		1 pr	12 pr	36+
A7555-12	12" 305 mm		\$ 15.25	\$ 14.75	\$ 14.60
A7555-15	15" 381 mm		15.25	15.09	14.95
A7555-18	18" 457 mm		15.25	14.75	13.50
A7555-21	21" 533 mm		15.45	<b>14.45</b>	<b>13.50</b>
*A6555-24	<b>24" / 600mm</b>		22.02	20.84	19.99
A710.610	Front Clips			\$ .99/pr.	
AGSKXC5	Back Bracket			.39/ea.	

\* Does not allow rear bracket

## RACK & PINION : Enterprise CS3

Concealed Full Extension Slide



- Rack and Pinion (Synchronized), silent, smooth soft-close system
- 88 lbs. Load Capacity
- 1/2" or 5/8" drawer side
- 3D clips adjusts for **Height** (0 +3mm), **Side** (± 1.5mm) and **Inset** / depth (0 +3mm)
- Rear Bracket available



CS3  
Rack & Pinion

Packed: 6 pr/ctn.

Code	Drawer Length	Depth w/ rear bracket	Net/pr	12
CS3-12	12" / 305 mm	340 - 360	\$ 10.34	\$ 9.71
CS3-15	15" / 381 mm	416 - 436	10.34	9.71
CS3-18	18" / 459 mm	494 - 514	10.45	10.23
CS3-21	21" / 533 mm	568 - 588	11.43	<b>9.98</b>



BS10-2



RMB

BS10-2	3D Clips for CS3 Slides	\$ 1.55	1.49
RMB	Rear Brackets, Steel	.29	.27



**ROCKY MOUNTAIN®**  
H A R D W A R E  
HANDCRAFTED BRONZE HARDWARE



door  
hinges  
grips  
window  
tile  
sinks  
cabinet  
custom  
faucets

Metro Entry Set 2-1/4 x 30"



**High Gloss Custom Door & Drawer Fronts**  
Allow 5-7 Days

LUXE is an advanced decorative panel with a high gloss finish on one face, while the back is a matching decorative matte melamine in the same design.

- 3/4" MDF Core
- High Gloss Polyester Front / Matte Back
- Two Edgebanding options (solid and bi-color)
- Separate edgebanding & boards available

View All Colors and Styles and Order Form at [macmurraypacific.com/bulletins/luxe-synchron.pdf](http://macmurraypacific.com/bulletins/luxe-synchron.pdf)



**TECTUS®**  
by **SIMONSWERK**

**3-WAY ADJUSTABLE CONCEALED HINGES**



**TE-240-3D**  
88 lbs/pr.

For 1.02" (26mm) Door Min.



**TE-340-3D**  
176 lbs/pr.

For 1-1/2" (38mm) Door Min.

**TE-540-3D**  
264 lbs/pr.

For 1-5/8" (40mm) Door Min.

Completely concealed for flush doors with wood, steel or aluminum frames. Opening angle up to 180°, non-handed.

Coated Finishes



F1 - Satin Chrome Look



F2 - Satin Nickel Look

Code	Door Min	Finish	Net/ea
TE-240-3D-F1	1"	Satin Chrome Look	\$ 65
TE-240-3D-F2	1"	Satin Nickel Look	62
TE-340-3D-F1	1-1/2"	Satin Chrome Look	75
TE-340-3D-F2	1-1/2"	Satin Nickel Look	75
TE-540-3D-F1	1-5/8"	Satin Chrome Look	118
TE-540-3D-F2	1-5/8"	Satin Nickel Look	118

Other finishes available:



Rustic Umber



Matte Deep Black



Stainless Steel Look



Satin Nickel (Plated)



reddot design award  
product design 2013



**Tectus Wall Displays**



Large Tectus Hinge displays available in 2 Widths: 16" and 24", Approx 6' High.

Both Sizes show 3 mounted concealed hinges.

Display free of charge.

Drop Ship, approx. \$ 180 freight charge.



24" width



## EVERSTRONG CONTACT CEMENTS



These high performance industrial strength contact adhesives comply with CA VOC & OTC regulations. Water resistant & temp resistant, bonds decorative laminates and veneers, fiberglass, glass, fabrics and particle board.

### No VOCs ES10 & ES80 CONTACT

- No VOCs, No ODS, No Haps, Flammable
- SCAQMD Rule 1168 & OTC Compliant
- LEED Compliant
- Fast Tack Bond
- High Temp resistance > 200° F.
- Pebble spray pattern
- Postformable
- Low Odor



ES10-130C Clear  
ES80-140 Clear/Red  
ES10-27 Clear/Red  
ES80-27 Clear/Red  
ES10P-13C



\*gun and hose sold separately

Code	Description	Net/ea	36+
ES10-13C	13 oz. Spray Adh, Clear	\$ 6.45	<b>\$ 6.25</b>
ES10P-13C*	13 oz. 2017 Spray Adh, Cl.	6.95	<b>6.50</b>
ES80-13C	13 oz. Spray Adh, Clear (long open time)	6.45	<b>6.25</b>
ES10-CC	13 oz. Citrus Adh. Remover	6.45	<b>6.25</b>
ES10-05C	5 Gallon Pail, Bulk Clear	\$ 163	
ES10-05R	5 Gallon Pail, Bulk Red	163	
ES10-050R	52 Gallon Drum, Bulk Red	1499	
ES10-27C/R	27 lb Canister, Clear or Red	\$ 239	
ES10-130C	130 lb Canister, Clear	959	
ES80-27C/R	27 lb Canister, Clear or Red (long open time)	254	
ES80-140C/R	140 lb Canister, Clear or Red	1119	

\* Meets new 2017 CA regs. for small cans. Plus - improved spray tip.



## Decorative Hardware

from

MacMurray Pacific



### FULTERER 5001ECD Soft Close Slide

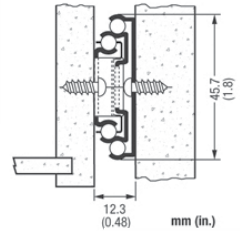
Full Extension, Load Capacity: 100 lbs.



22" - \$ 9.95



- Full extension, ball-bearing slide
- ECD mechanism provides impact absorbing soft-close feature
- Smooth & Quiet



12 - 28" In Stock

10 pr/Ctn. Bulk, No screws

5000BMB Bottom Mount Bracket



Code	Size	10 pr	50 pr
5001ECD-16	16"	\$ 10.15	\$ 9.15
5001ECD-18	18"	10.85	9.50
5001ECD-20	20"	11.15	9.75
5001ECD-22	22"	11.40	<b>9.95</b>

5000MET	Rear Bracket	.95/pr
5000BMB	Bottom Mount Bracket	.50/ea

### FULTERER 5043 SLIDE

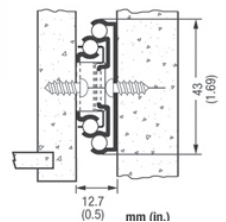
Side Mount, Load Capacity: 100 lbs.

\$ 4.95 / 22"



10" to 28" in stock

- Easy release trigger
- System 32 compatible
- Non-handed, has a hold-close detent



15 pr/Ctn. Bulk, No screws

Code	Size	1-14 pr	15+ pr
5043-12	12"	\$ 3.35	\$ 2.97
5043-14	14"	3.63	3.32
5043-16	16"	4.05	3.84
5043-18	18"	4.38	4.15
5043-20	20"	5.00	4.85
5043-22	22"	5.45	<b>4.95</b>
5043-24	24"	6.14	5.94

5043.5	Rear Bracket	.95/pr
5000BMB	Bottom Mount Bracket	.50/ea



## February - March 2017 Specials

Order Desk (800) 244-1455 Fax (415) 552-5840  
Email [orders@macmurraypacific.com](mailto:orders@macmurraypacific.com)  
On the Web [www.macpac1.com](http://www.macpac1.com)

### \*GRASS<sup>®</sup> DynaPro



**Grass DynaPro** Anti-Rack, with Side Adjustment,  
Smoothest action for drawers.  
Easy Install: No stabilizer bars needed

See page 9 for details

#### Contents:

Abrasives: Norton, Sungold	5
Adhesives: Newstar Everstrong	11
FastCap 2P10	6
Drawer Slides	8,9,11,12
Edgebanding / Veneer	7
Element Designs	3
Enterprise CS3 Slides	9
Festool Domino Joiner Set	5
Fulterer Side Mount Slides	11
Grass DynaPro Slides	9,12
Hettich Quadro Undermounts	8
Luxe High Gloss Panels	10
Mohawk Stain	6
Moving Equipment: Blankets/Dollies	4
Rev-A-Shelf Products	2,3
Rocky Mountain	10
Salice Hinges: New Switch/Compact	1
Salice Waste Pull-Outs	1
Senco Guns/Fasteners	5
Simonswerk Tectus Hinges	10
3M Respirators/Filters	7
Valsar Varnish	6
Vauth Sagel Storage Systems	3,4

Vendor reserves the right to correct or update this flyer as necessary.