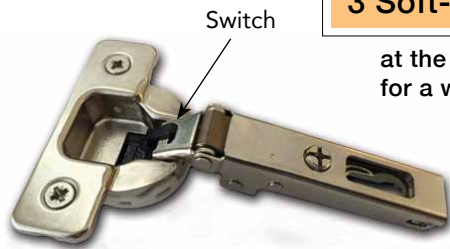


## SALICE SWITCH HINGE

Soft Close with Adjustable Settings

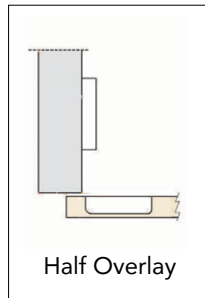
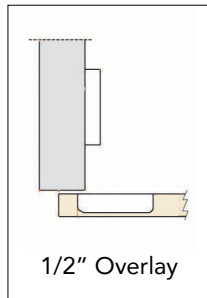
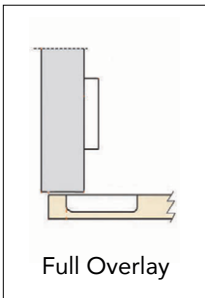
**3 Soft-Closing speeds**

at the touch of a switch - for a wide range of doors.

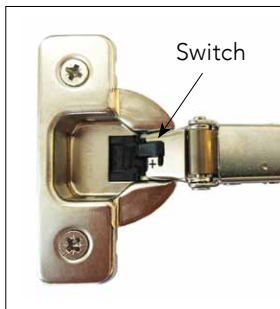
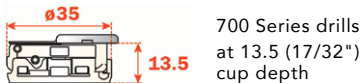


**\$ 1.99 /ea.**

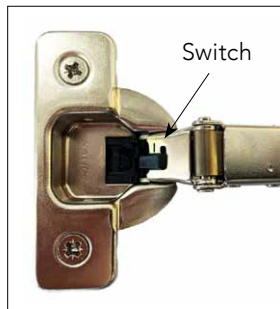
- C7R6AG9 Full Overlay
- C7R6DG9 1/2" Overlay
- C7R6GG9 Half Overlay



- Soft Close with 3 Door Settings:
  - Heavy (with '+' sign showing on both hinges)
  - Medium (with one '+' sign and one '-' on each hinge)
  - Light (with '-' sign showing on both hinges)
- Full Overlay, 1/2" Overlay, Half Overlay
- 110 Degrees, w/ Dowels



Switch in Heavy '+' position



Switch in Light '-' position

### Switch Hinge, Soft Close - with Dowels

Code	Description	Net 50	300
C7R6AG9	110°, Full Overlay	\$ 2.19	\$ 1.99
C7R6DG9	110°, 1/2" Overlay	2.19	1.99
C7R6GG9	110°, Half Overlay	2.19	1.99

**YouTube** See videos at [macmurraypacific.com/videos.html#salice](http://macmurraypacific.com/videos.html#salice)



**New ES10 +**

Longer Open Time  
Better Spray pattern  
2017 CA VOC Compliant

### ES10 & ES80 CONTACT

- No VOCs, No ODS, No Haps, Flammable
- SCAQMD Rule 1168 & OTC Compliant
- LEED Compliant
- Fast Tack Bond
- High Temp resistance > 200° F.
- Pebble spray pattern
- Postformable
- Low Odor



ES10-13C  
ES80-13C  
ES10P-13C

**New**

ES10-130C  
Clear

ES80-140  
Clear/Red

ES10-27  
Clear/Red

ES80-27  
Clear/Red



\*gun and hose sold separately

Code	Description	Net/ea	36+
ES10-13C	13 oz. Spray Adh, Clear	\$ 6.45	<b>\$ 6.25</b>
ES10P-13C*	13 oz. 2017 Spray Adh, Cl.	6.95	<b>6.50</b>
ES80-13C	13 oz. Spray Adh, Clear (long open time)	6.45	<b>6.25</b>
ES10-CC	13 oz. Citrus Adh. Remover	6.45	<b>6.25</b>
ES10-05C	5 Gallon Pail, Bulk Clear	\$ 163	
ES10-05R	5 Gallon Pail, Bulk Red	163	
ES10-050R	52 Gallon Drum, Bulk Red	1499	
ES10-27C/R	27 lb Canister, Clear or Red	\$ 239	
ES10-130C	130 lb Canister, Clear	959	
ES80-27C/R	27 lb Canister, Clear or Red (long open time)	254	
ES80-140C/R	140 lb Canister, Clear or Red	1119	

\* Meets new 2017 CA regs. for small cans. Plus - improved spray tip, and longer open time.



**EVERSTRONG CONTACT CEMENTS**



These high performance industrial strength contact adhesives comply with CA VOC & OTC regulations. Water resistant & temp resistant, bonds decorative laminates and veneers, fiberglass, glass, fabrics and particle board.

**UNDERMOUNT WASTE CONTAINERS**

53WC - Soft Close, Single & Double Bins



- Single & Double 35 & 50 Qt. Soft Close Waste Containers
- Full Extension Soft-Close slides - 90 lbs. capacity
- Door mount brackets included
- Removable Rear Basket on Single version
- Fast Bottom Mount install
- Order Frame, Bins and Lids Separately



50 Qt. size shown

**Frame Dimensions**

53WCF-117SC-48: 10-7/8" W x 22-1/4" D x 19" H  
 53WCF-217SC-48: 14-3/8" W x 22-1/4" D x 19" H

Frames	Description	Net/ea
53WCF-117SC-48	Single Bin Frame	\$ 85.00
53WCF-217SC-48	Double Bin Frame	85.00

Bins	Description	Net/ea
RV-35-17-8	Silver 35 Qt. Bin	\$ 6.99
RV-50-17-8	Silver 50 Qt. Bin	13.85

Lids	Description	Net/ea
RV-35-LID-17	Silver 35 Qt. Lid	\$ 9.99
RV-50-LID-17	Silver 50 Qt. Lid	10.99

**New** 53WC Frame and Two 27 Qt. Silver Bin Set

53WC-1527SCDM-217 11-1/4"W x 22-1/8"D x 19"H \$ 96

**TWO SHELF**

**BLIND CORNER OPTIMIZER** 5PSP CR Series - Chrome



5PSP15-CR unit fully extended

**Non-handed!**



15" (15-CR), 18"(18-CR)  
 Min Cab Width Opening  
 20-1/4" Min Inside Cab Depth  
 21" Min Cab Height Opening

Code	Min Opening	Net/1	Net/2+
5PSP15-CR	15" W x 21" Ht	\$ 225	\$ 212
5PSP18-CR	18" W x 21" Ht	252	241

Code	Min Opening	Net/1	Net/2+
5PSP15SC-CR	15" W x 21" Ht	275	265
5PSP18SC-CR	18" W x 21" Ht	312	297

**4WCSC Series with Soft-Close**



- Dovetail Maple construction
- Adjustable door mounting brackets
- Has 2 silver polymer containers
- Full Extension Soft Close slides



4WCSC - Soft Close

Bottom Mount Waste Containers feature heavy duty, full-extension concealed slides with Soft-Close. Dovetail construction. Comes with 35 or 50 Qt. containers. Door mount with adjustable mounting brackets.

Code	Description	Min. Opening
1535DM-1	Has One 35 Quart Bin	12" W
1835DM-2	Has Two 35 Quart Bins	15" W
2135DM-2	Has Two 35 Quart Bins	18" W
2150DM-2	Has Two 50 Quart Bins	18" W

Code	Dimensions	Net	2+
4WCSC-1535DM-1	12"W x 21-3/4"D x 19-1/2"H	\$ 134	\$ 128
4WCSC-1835DM-2	15"W x 21-3/4"D x 20-3/8"H	146	139
4WCSC-2135DM-2	18"W x 21-3/4"D x 19-1/4"H	180	172
4WCSC-2150DM-2	18"W x 21-3/4"D x 24-1/4"H	164	156



**Bottom Mount Wood Waste Containers with Soft Open/Close**



Dovetail wood drawer with door mount brackets. Over-travel concealed 150 lb. slides. Metallic silver waste bins.



4WCBM-2430DM-2

Code	Description	Net	3+
4WCBM-2430DM-2	Two 30 Quart Bins	\$ 182	\$ 169
4WCBM-15DM-1	One 35 Quart Bin	146	137
4WCBM-18DM-2	Two 35 Quart Bins	149	139
4WCBM-1550DM-1	One 50 Quart Bin	185	173
4WCBM-2150DM-2	Two 50 Quart Bins	170	158

## Drop Cabinet OUT<sup>®</sup> FIXTURES

### 8001 - Spice Rack Storage System



Unparalleled convenience at your fingertips!

Code                      Net  
8001                              \$ 540

- Four inches wide, it opens with a smooth outward and downward motion, bringing the spice rack down to you
- Up to 36 standard-sized spice bottles to your fingertips, ready for use
- Can be built into any style of cabinetry

Min. Space Requirements: 4" W x 11-1/2" D x 37-1/2" H



### Double Wood Knife Block Inserts - 55 slots!



4WDKB-1

Dimensions: 18-1/2" W x 22" D x 2-3/8" H

- Trim to Fit: designed for drawers from 12-1/2" to 18-1/2" in width
- Hilt rest that keeps knives straight and provides ample finger space for easy removal
- 55 knife slots
- Additional storage compartments for other utensils

<u>Code</u>	<u>Description</u>	<u>Net/ea</u>
4WDKB-1	Double Knife Block Insert - 55 slots	\$ 39.95



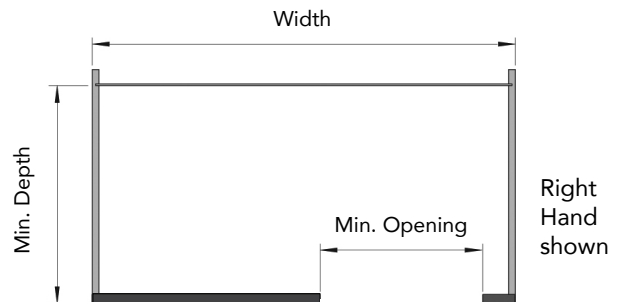
### SWING CORNER

- Shelves pull out independently
- Height adjustable for overhead drawer
- Maple shelves with non-slip surfacing
- Brushed Nickel trim
- Load cap: 110 lbs. (55 lbs. per shelf)



Right Hand unit shown

- Minimum Installation Height: 20"
- Minimum Installation Depth: 21"



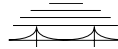
<u>Code</u>	<u>Min Opening</u>	<u>Width</u>	<u>Net/ea</u>
AS-R-15-3	16" RH	33-1/2"	\$ 236
AS-L-15-3	16" LH	33-1/2"	236
AS-R-18-3	19" RH	34-1/2"	246
AS-L-18-3	19" LH	34-1/2"	246
AS-R-21-3	22" RH	39-1/2"	257
AS-L-21-3	22" LH	39-1/2"	257

## Berenson

Decorative Hardware  
from  
MacMurray Pacific







## CHEF PANTRY

Made in Germany

**12 Minute Install**  
**Soft-Close Pantry**

**Full Depth: 22-3/4"**  
**High Capacity: 23% more storage**

**Door adjusts:**  
Height, Side, Door Warp & Tilt



Chrome Plated Baskets



Maple Melamine base, silver powder coated baskets



- 12 Minute Install
- Door adjusts for: Height, Side, Door Warp & Tilt
- Baskets Adjust in 2-1/2" steps
- Synchro-action : 265 lbs.
- Five widths : 9" - 20"
- Any height: 26" - 84"

	Height	Height	
9037	25-1/2" - 37"	9067	57" - 67"
9047	37-1/2" - 47-1/4"	9076	67" - 76-3/4"
9057	47-1/4" - 57"	9091	74-3/4" - 84-1/2"

**Specify Width and Basket type when ordering:**  
**'C' for Chrome baskets or 'M' for Maple baskets**  
Example: 9076-11C.

Chrome	# of Bskts	Height				
		8-7/8"	11-5/8"	14-3/8"	17-1/8"	19-7/8"
9037-	2	\$ 390	\$ 394	\$ 400	\$ 405	\$ 409
9047-	4	391	400	412	419	430
9057-	4	392	400	413	421	431
9067-	4	404	414	424	432	442
9076-	6	476	490	506	518	532
9091-	6	480	494	510	522	536

Maple	# of Bskts	Height				
		8-7/8"	11-5/8"	14-3/8"	17-1/8"	19-7/8"
9037-	2	\$ 434	\$ 442	\$ 457	\$ 472	\$ 480
9047-	4	482	497	526	555	569
9057-	4	482	498	527	556	571
9067-	4	494	512	538	567	583
9076-	6	611	636	677	721	743
9091-	6	615	639	681	725	746

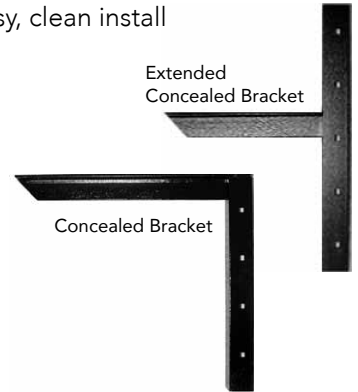
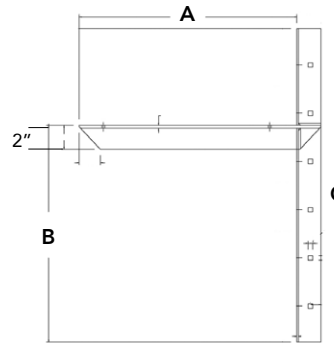
## CONCEALED COUNTER BRACKETS

Mount to stud for extra strength



This Island was made using Extended Concealed and Concealed brackets

- Steel Construction
- Load limit range of 1,800 to 4,500 lbs. per pair
- Mounting hardware included
- All welds on reverse for easy, clean install



Code	A	B	C	Weight Cap / pr.	Net/ea
C18-BL	18"	18"	-	2,060	\$ 22
C24-BL	24"	18"	-	1,800	25
EC-18BL	18"	18"	26"	4,500	29
EC-24BL	24"	18"	26"	2,320	32

## OLYMPUS LOCKS Rekeyable



N Series National keyway. Solid brass cylinder; pin tumbler. Keyed alike or keyed different. Easily rekeyable. Includes bar strike (OL56-1).

### 100DR - Commercial Cabinet Door Lock

Material thickness: 7/8". Dull Chrome (26D) finish.

100-26D78-XXX

Keys: (4 pin): KD, 107, 915,  
(5 pin): G0001; 2, 3, 4, 5, 6, 7



100DR  
\$ 12.28

### 200DW - Commercial Cabinet Drawer Lock

Material thickness: 7/8" or 1-3/8".  
Dull Chrome (26D) finish.

200-26D78-XXX

200-26D138-XXX

Keys: KD, 107, 915, G0001; 2, 3, 4, 5, 6, 7, 8, 9

7/8" material

1-3/8" material



200DW  
\$ 12.28



**FULTERER 5000 Full Extension Slide**  
Dynamic Load: 100 lbs. Smooth & Quiet



12 sizes - 6" to 28"

\$ 6.45 / 22"



Smooth & Quiet  
Premium Build

trigger finger release

Overtravel version 5000OT, & self-closing version 5000SC are available too.

10 pr/Ctn. Bulk, No screws

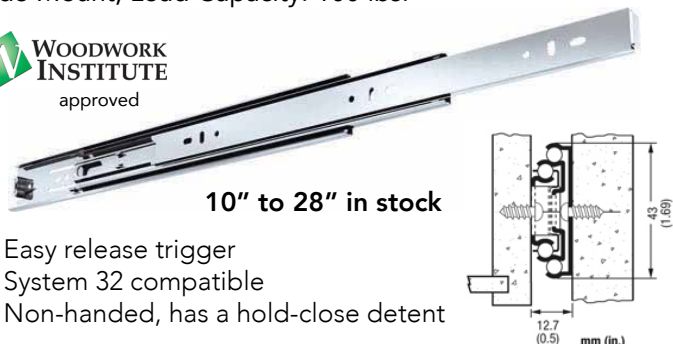
Code	Size	10 pr	50 pr
5000-12	12"	\$ 5.48	\$ 5.21
5000-14	14"	5.66	5.49
5000-16	16"	6.09	5.79
5000-18	18"	6.25	6.00
5000-20	20"	6.55	6.25
5000-22	22"	6.63	<b>6.45</b>
5000-24	24"	7.46	7.15

		Net
5000MET	Rear Bracket	.95/pr
5000BMB	Bottom Mount Bracket	.50/ea

**FULTERER 5043 SLIDE**

Side Mount, Load Capacity: 100 lbs.

\$ 4.95 / 22"



10" to 28" in stock

- Easy release trigger
- System 32 compatible
- Non-handed, has a hold-close detent

15 pr/Ctn. Bulk, No screws

Code	Size	1-14 pr	15+ pr
5043-12	12"	\$ 3.35	\$ 2.97
5043-14	14"	3.63	3.32
5043-16	16"	4.05	3.84
5043-18	18"	4.38	4.15
5043-20	20"	5.00	4.85
5043-22	22"	5.45	<b>4.95</b>
5043-24	24"	6.14	5.94

		Net
5043.5	Rear Bracket	.95/pr
5000BMB	Bottom Mount Bracket	.50/ea

**elemental led**

**SWITCHEX®**  
Wall Mount Dimmer/Driver

House wires into wall box are 120V. Wires from dimmer/wall switch are low voltage - 12V for easy LED connections. That's it!

Three face plate colors included: white, light almond and brown (trim plate not included).



DI-12V-SE-60W

Code	Description	Net/ea
DI-12V-SE-60W	Switchex 60W Driver & Dimmer Switch, 12V DC	\$ 134

**Blaze™ 12V Tape Lighting - 2.88 watts per foot**

Featuring over 250 lumens per foot, BLAZE 12V LED Tape Lighting excels as either task or ambient lighting.



DI-12V-BL

- UL Listed field cuttable every inch
- Fully dimmable with Switchex Driver/Dimmer
- 3M™ adhesive backing

Code	Description	Net/roll
DI-12V-BL27-8016	16.4' Lights, 2700K (warm)	\$ 192
DI-12V-BL42-8016	16.4' Lights, 4200K (cool)	192

**Aluminum Channels for Blaze LEDs**

**Chromapath® 48" Slim Design**

Provide light diffusion and dustproof housing. Channels can be cut, or mounted end to end.

Channel covers and end caps also available - sold separately.



Code	Description	Net/ea
DI-CPCHA-SL48	Alum. Channel, 48" Slim	\$ 10



**Senco Finish Pro 30XP Nailer**  
 (Replacement for SFN30)

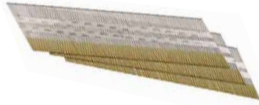


This New Finish Nailer drives 15 gauge angled strip finish nails from 1" to 2" in length.

**FP30XP \$ 243**



- Wt: 3.8 lbs, Capacity: 104
- Adjustable depth of drive
- Includes: Belt hook, Case and wrench



**PREMIUM VENEER SHEETS** Unglued

High grade sanded veneers. Backing provides stability and flexibility while helping to minimize splitting, grain-raise and glue seepage.

10 mil paperback. 1 sheet/box.



Code	Description	Net/ea	2+
FJK239	Rift White Oak, 4' x 8'	\$ 61	\$ 59
FJK454	Walnut, 4' x 8'	59	56
FJK457	White Oak, 4' x 8'	48	46
FJK461	Maple, 4' x 8'	48	46
FJK505	Alder, 4' x 8'	63	60
FJK456	Mahogany, 4' x 8'	53	51
FJK455	Cherry, 4' x 8'	55	53
FJK458	Red Oak, 4' x 8'	40	38
FJK452	White Birch, 4' x 8'	43	41

**PRE-GLUED EDGEBOARDING**

Genuine Wood Veneer

Genuine Wood veneer in **250' rolls**. Pre-glued. The resin impregnated backer helps reduce splitting, tearing and checking. Unfinished. .5mm.



Pack: 12 Rolls

Code	Width	Specie	Net/Roll
KO-RWO-1316	13/16"	Rift White Oak	\$ 31
KO-WBI-1316	"	White Birch	20
KO-RBI-1316	"	Red Birch	22
KO-WL-1316	"	Walnut	23
KO-CH-1316	"	Cherry	22
KO-MAA-1316	"	Mahogany	23
KO-WO-1316	"	White Oak	21
KO-RO-1316	"	Red Oak	20
KO-VFI-1316	"	Vertical Fir	23
KO-MP-1316	"	<b>Maple</b>	<b>20</b>
KO-ASH-1316	"	Ash	23
KO-RA-1316	"	Alder	22
KO-WBI-78	7/8"	White Birch	22
KO-RBI-78	"	Red Birch	22
KO-WL-78	"	Walnut	35
KO-CH-78	"	Cherry	25
KO-WO-78	"	White Oak	24
KO-RO-78	"	Red Oak	21
KO-MP-78	"	<b>Maple</b>	<b>21</b>
KO-RA-78	"	Alder	24



**Kapex KS 120**  
 Sliding Compound Miter Saw



1600 watts / 13 Amp includes 10" 60T carbide blade, hold down clamp, wrench, MiterFast angle device.

Code	Price
561287	\$ 1450

- Faster cut alignments with dual-laser marking system
- Rapid miter setting with cam-action lock system
- Rail-forward design allows work in tight quarters
- Angle transfer device eliminates complex angle calculations
- Easy and precise bevel angle with fine adjust

**AUTOMATIC EDGEBOARDING**

Genuine Wood Veneer

Fleece-backed, Automatic Edgebanding. 7/8" Width, 500' Rolls. Unfinished. .5mm.



Code	Description	Net/Roll
K6-CH-78	Cherry, 7/8", 500'	\$ 32
K6-MP-78	<b>Maple</b> , 7/8", 500'	<b>31</b>
K6-RA-78	Red Alder, 7/8", 500'	33
K6-RWO-78	Rift Wh. Oak, 7/8", 500'	48
K6-WL-78	Walnut, 7/8", 500'	35
K6-WO-78	White Oak, 7/8", 500'	35

## MOHAWK LACQUERS 25% Solids DuraCoat™ Lacquer

Features moisture resistance, good flexibility and mar resistance. Passes KCMA testing. Low VOC.



All 5 gallon pails.

550 VOC Pre-Catalyzed	Finish	Sheen	1 pail	5
M610-24808	Gloss	80	\$ 131	\$ 126
M610-24608	Semi-Gloss	60	131	126
M610-24408	Satin	40	131	126
M610-24208	Matte	20	131	126
M610-24108	Dead Flat	10	131	126
M610-6408	White Satin	40	159	154
M610-24008	Sealer	-	131	126
M610-8008	EZ Vinyl Sealer		120	115

## PG5 MASKING TAPE



A smooth crepe, premium painters' tape. Easy application and clean, crisp paint lines. Allows excellent cornering and clean removal. Supports masking paper aprons at 160° F for 30 minutes. Operating range of 50° F to 200° F. Bulk 60 yds/roll. Tan in color. Govt. Spec Conformance C.I.D. A-A-883B Type 1. Made in U.S.A.

Code	Size	Ctn	1/rl	Full Ctn
PG5-34	3/4"	48 rls	\$ 3.22	\$ 2.90
PG5-1	1"	36	4.12	3.89
PG5-112	1-1/2"	24	7.48	6.10
PG5-2	2"	24	8.06	7.80



## FESTOOL Domino Connector Set SV-SYS

The corner and flat connector system for the DOMINO XL DF 700



- For frame and rack joints
- Extremely quick. No template or other accessories required
- Extremely stable, high pull-out and load forces
- Can be detached again quickly
- With cover caps in three colors



Code	Price
201353	\$ 259

## Valguard Conversion Varnish

Valguard Conversion Varnish has superior durability and UV protection. Ideal for kitchen and bath cabinets, tables and architectural millwork. Supplied ready to spray (after catalyzation).



- Surpasses all KCMA standards
- Fast drying: 30-45 min at 78°, 50 RH
- Outstanding flow and leveling
- Superior UV resistance

### Conversion Varnish Clear 550 VOC:

Code	Description	Sheen	Gal size
5509-1	Gloss	90	1
5509-5	Gloss	90	5
5506-1	Semi-Gloss	60	1
5506-5	Semi-Gloss	60	5
5504-1	Soft Gloss	40	1
5504-5	Soft Gloss	40	5
5502-1	Satin	20	1
5502-5	Satin	20	5
5501-1	Matte	10	1
5501-5	Matte	10	5
4000.4000	Catalyst (4 oz per gal)		1

### Conversion Varnish Clear 275 VOC:

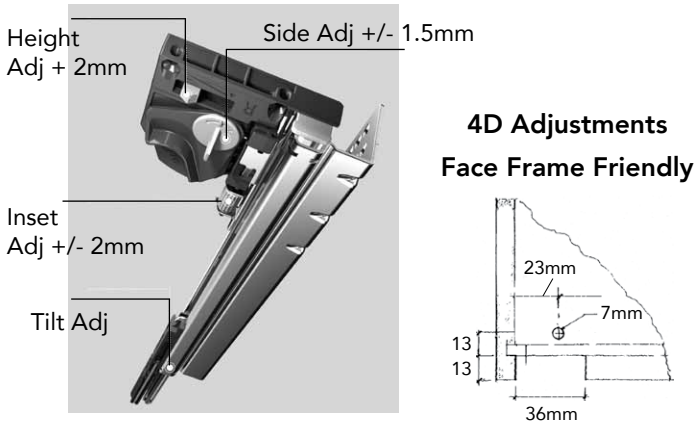
Code	Description	Sheen	Gal size
4726-1	Semi-Gloss	60	1
4726-5	Semi-Gloss	60	5
4724-5	Soft Gloss	40	5
4722-1	Satin	20	1
4722-5	Satin	20	5
4000.4000	Catalyst (3 oz per gal)		1
2850-5	Vinyl Sealer		5

6-8 hour pot life @ 77F.

In Stock - Call for pricing



**Hettich** **QUADRO 4D UNDERMOUNT**  
4-Way adjustment, Chrome steel bearings



- Load cap: 100 lbs. when mounted to case side
  - Silent system: Easy open, soft quiet close
  - Tool-less **height, side & depth** adjust.
- Optional rear **tilt**.



Code	Size	Ctn	Net/5 pr	20 pr
9181140-41	9"	10 pr.	\$ 17.50	\$ 16.50
9181142-43	12"	10	17.50	16.50
9181144-45	15"	10	17.50	16.50
9181146-47	18"	10	16.95	16.18
9181148-49	21"	10	16.95	<b>16.18</b>
9181150-51	24"	10	31.25	27.95

Code	Description	Ctn	Net
9218980	Front Fixing <b>Clips</b> (pr), includes spacer	10	1.79 /pr
9205924 /25	<b>Tilt</b> Adjustment LH/RH	100	.76 /ea
9055093	Metal Rear Bracket	10	1.32 /st

**YouTube** See video at [MacMurrayPacific.com/videos#hettich](http://MacMurrayPacific.com/videos#hettich)

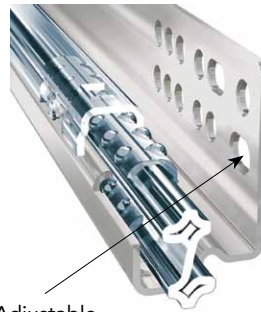
**4D Euro Series IW20**  
**Quadro - 14 Sizes**



Code	Drawer Size	Code	Drawer Size
9181186-87	11", 280mm	9181200-01	<b>18"</b> , 450mm
9181188-89	<b>12"</b> , 300mm	9181202-03	19", 480mm
9181190-91	13", 320mm	9181204-05	<b>20"</b> , 500mm
9181192-93	<b>14.2"</b> , 350mm	9181206-07	21", 520mm
9181194-95	15.4", 380mm	9181208-09	<b>22"</b> , 550mm
9181196-97	<b>16"</b> , 400mm	9181210-11	23", 580mm
9181198-99	17", 420mm	9181212-13	<b>24"</b> , 600mm

Uses 4D Clips shown above

**Hettich** **QUADRO 2D UNDERMOUNT**  
2-Way adjustment, Steel bearings



Adjustable mounting

**Quadro 100 lb.**  
**\*Dynamic Load Cycles**



Less sag with all kitchen undermount drawers.

**\$ 10.99 /pr.**

**Full Extension**  
**24" 21" 18" 15" 12" 9"**

Smooth soft close. WIC Approved at 100 lbs / 21".  
Elongated hole pattern allows setback adjustment.  
100 lb. ANSI/BHMA Grade 1.  
All Steel Bearings.



5 pr/ Ctn.

IW21 Code	Max Drawer Box Length	Min. Cab Depth	Net 5+	20
9048793	18"	18-7/8"	\$ 11.98	10.79
9048776	<b>21"</b>	21-7/8"	<b>12.50</b>	<b>10.99</b>

9026839	 Front Clips, 5/8" and 1/2"	\$ 1.32 /pr
9140416	 Front Clips, <b>1/2"</b> mat. only	.74
9055093	 Rear Metal Adj. Brackets	1.29

\* 100 lb. Dynamic load is cycle tested to ANSI/BHMA Grade 1 spec at 21" size. Listed and acknowledged by WI: [wicnet.org](http://wicnet.org)



**Hettich Quadro - 14 Sizes**  
**Euro Series IW20**



**- In Stock**

Code	Drawer Size	Code	Drawer Size
904526700	11", 280mm	903971000	18", 450mm
904525100	12", 300mm	903968000	19", 480mm
904112900	13", 320mm	904114400	20", 500mm
903969700	14.2", 350mm	904537300	21", 520mm
903966400	15.4", 380mm	904538400	22", 550mm
904096700	16", 400mm	904540500	23", 580mm
903971700	17", 420mm	904541300	24", 600mm

**100 lb Dynamic Load**



## Grass SOFT CLOSE SLIDE



- Soft-pull, soft-close
- **100 lb.** dynamic load  
125 lbs. static
- Drawers up to **48" wide**
- Made in Austria; **Grass**
- **132 lb.** Heavy Duty Dynamic
- **Anti-racking**
  - Smooth and fluid movement
  - Progressive / syncro-motion - no pickup bump
  - Minimal side sway - great for wide drawers
  - No stabilizer bars needed

## 100 lb Dynamic



Side Adjustment

\* Inset Adjustment



Rear Tilt Adjustment

### 100 lb. Dynamic Load - Height / Side Adjustment

Code	Description	Net 5 pr.	Net 20 pr.
DP-9	9" soft-close slide	\$ 21.90	\$ 20.95
DP-12	12"	17.50	16.50
DP-15	15"	17.50	16.50
DP-18	18"	16.95	15.95
DP-21	21"	16.95	<b>15.95</b>

### 100 lb. Dynamic Load - 3D: Height/Side/Tilt Adjustment

DP-9-3D	9" soft-close slide	22.97	21.69
DP-12-3D	12"	18.95	18.50
DP-15-3D	15"	18.95	18.50
DP-18-3D	18"	18.95	17.95
DP-21-3D	21"	18.95	17.95

### 132 lb. Dynamic Load - 3D: Height/Side/Tilt Adjustment

DP-18-HD	18" heavy duty slide	\$ 35.00	\$ 31.55
DP-21-HD	21"	35.00	33.37
DP-24-HD	24"	39.19	37.41
DP-27-HD	<b>27"</b>	48.78	46.51
DP-30-HD	<b>30"</b>	55.50	52.72

DP-CL/CR	Front Clips, Ht & Side	.95/ea.	.90
DP-CL/CR-3D	Rear Tilt Clips LH, RH	.58/ea.	.47
7950	Rear Metal Bracket	.78/ea.	.75
*DP-I	Inset Adjuster - Snaps on all DP slides	2.52/pr.	2.45

## SALICE: Soft Close Undermount

### New Smoother

Full Extension Slide

**\$ 13.50/pr**

### Face Frame Friendly:

Mounts on face frame or frameless 37mm. Mounts flat on cabinet floor.



**75 lbs.**

**Standard Box Sizes 21", 18", 15", 12"**

Packed: 6 pr/ctn.

Code	Drawer Length		Net		
	1/2" or 5/8"		1 pr	12 pr	36+
A7555-12	12" 305 mm		\$ 15.25	\$ 14.75	\$ 14.60
A7555-15	15" 381 mm		15.25	15.09	14.95
A7555-18	18" 457 mm		15.25	14.75	13.50
A7555-21	21" 533 mm		15.45	<b>14.45</b>	<b>13.50</b>
*A6555-24	<b>24" / 600mm</b>		22.02	20.84	19.99
A710.610	Front Clips				\$.99/pr.
A750.010	<b>6-Way</b> Adj. Ht/Side/Inset Clips				2.89/pr.
AGSKXC5	Back Bracket				.39/ea.

\* Does not allow rear bracket

## RACK & PINION : Enterprise CS3

Concealed Full Extension Slide



- Rack and Pinion (Synchronized), silent, smooth soft-close system
- 88 lbs. Load Capacity
- 1/2" or 5/8" drawer side
- 3D clips adjusts for **Height** (0 +3mm), **Side** (± 1.5mm) and **Inset** / depth (0 +3mm)
- Rear Bracket available



CS3  
Rack & Pinion

Packed: 6 pr/ctn.

Code	Drawer Length		Depth w/ rear bracket		Net/pr	
	1/2" or 5/8"				12	
CS3-12	12" / 305 mm		340 - 360		\$ 10.34	\$ 9.71
CS3-15	15" / 381 mm		416 - 436		10.34	9.71
CS3-18	18" / 459 mm		494 - 514		10.45	10.23
CS3-21	21" / 533 mm		568 - 588		11.43	<b>9.98</b>



BS10-2

Height,  
Side,  
Inset



RMB

BS10-2	3D Clips for CS3 Slides	\$ 1.55	1.49
RMB	Rear Brackets, Steel	.29	.27



**ROCKY MOUNTAIN®**  
H A R D W A R E

HANDCRAFTED BRONZE HARDWARE

Made in the USA



- |         |        |         |
|---------|--------|---------|
| door    | hinges | grips   |
| window  | tile   | sinks   |
| cabinet | custom | faucets |



MacMurray Pacific



**Aluminum Frame Glass Doors**

Finishes: Natural Aluminum or Brushed Stainless look

- Doors ship fully assembled
- Quick delivery
- 11 Profiles
- Made in USA

**TECTUS®**  
by **SIMONSWERK**

**3-WAY ADJUSTABLE  
CONCEALED HINGES**



**TE-240-3D**  
88 lbs/pr.

For 1.02"  
(26mm)  
Door Min.



**TE-340-3D**  
176 lbs/pr.

For 1-1/2" (38mm)  
Door Min.

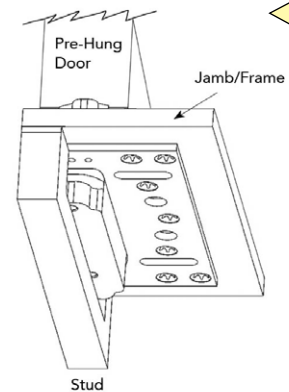
**TE-540-3D**  
264 lbs/pr.

For 1-5/8" (40mm)  
Door Min.

Completely concealed for flush doors with wood, steel or aluminum frames. Opening angle up to 180°, non-handed.

**Fixing Plate for TECTUS Hinges**

For mounting into 3/4" Pre-hung door frames



Code	Description	Net/ea
TE-240-3D-FZ	Fixing Plate for casing frames for TE-240-3D	\$ 8.65
TE-340-3D-FZ	Fixing Plate for casing frames for TE-340-3D	8.65

**Coated Finishes**



F1 -  
Satin Chrome Look



F2 -  
Satin Nickel Look

Code	Door Min	Finish	Net/ea
TE-240-3D-F1	1"	Satin Chrome Look	\$ 65
TE-240-3D-F2	1"	Satin Nickel Look	62
TE-340-3D-F1	1-1/2"	Satin Chrome Look	75
TE-340-3D-F2	1-1/2"	Satin Nickel Look	75
TE-540-3D-F1	1-5/8"	Satin Chrome Look	118
TE-540-3D-F2	1-5/8"	Satin Nickel Look	118

Other finishes available:



Rustic Umber



Matte Deep Black



Stainless Steel Look



Satin Nickel (Plated)

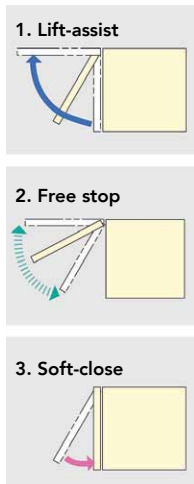


## Easy Lift-Up Stay Soft-Close



Med. Duty up to 21 lbs/pr.  
Heavy Duty up to 29 lbs/pr.

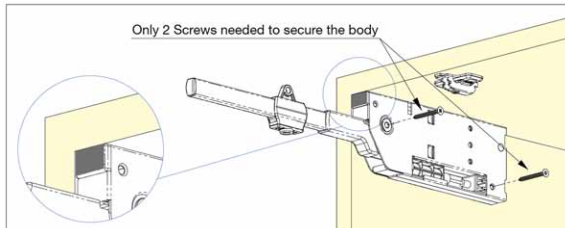
- Lift-assist for easy opening
- Door stays in any desired position
- Soft Close, Silent



**SUGATSUNE**

Code	Description	Net/ea	4+
SLS-ELAN-MR	Med. Duty / RH Stay	\$ 29.50	\$ 27.50
SLS-ELAN-ML	Med. Duty / LH Stay	29.50	27.50
SLS-ELAN-HR	Heavy Duty / RH Stay	29.50	27.50
SLS-ELAN-HL	Heavy Duty / LH Stay	29.50	27.50
FFCB-SLS	Face Frame Bracket	5.95	

- Simple installation: align body to edge of cabinet
- Easy Adjustment for door weight



See video at [MacMurrayPacific.com/videos#sugatsune](http://MacMurrayPacific.com/videos#sugatsune)

## EMTEK CABINET PULLS : Sandcast Bronze



**Round Knob**  
#86058  
1-1/4" dia.  
\$ 6.84

Med. Bronze

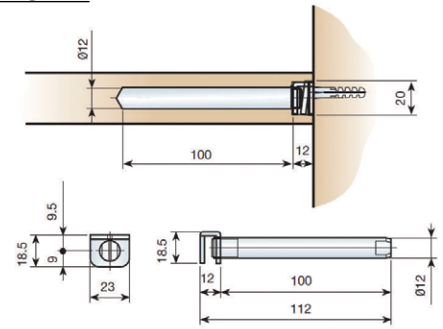
**Square Knob**  
#86145  
1-1/4" dia.  
\$ 6.84

Flat Black

Emtek Cabinet hardware in rustic cast bronze, cast brass, stainless steel and crystal. Special Order: 3-5 days.

## FLOATING SHELF BRACKET

FS-BR

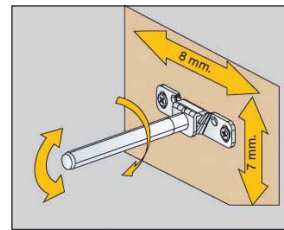


Up to 8" Shelf Depth,  
Load Cap: 37.4 lbs.  
per pair of brackets\*

Up to 12" Shelf Depth,  
Load Cap: 25.3 lbs.  
per pair of brackets\*

\* Based on 35" Length shelf with 2 brackets.

For every 18" additional length, add 1 additional bracket.



Accurate Leveling:  
8mm Side, 7mm Height.

The 90° angle adjusts +/- 5°.

Each bag contains:

1 support, 4 plastic wall plugs, and 4 screws.

Code	Description	Ctn	Net/bg	25+
FS-BR	Floating Shelf Bracket	25 bgs.	\$ 5.39	\$ 4.00

## SHRINK WRAP

### FILM TAPE

Film tape has no residue;  
secures and protects.  
Each full case includes one  
free dispenser handle.



Code	Size	Ctn	Net/Roll
Q3120	3" W x 700' L	18	\$ 3.79
Q380	3" W x 1000' L	18	3.79
HF1781800-00	18" W x 1500' L	4	18.10



Now includes  
heavy duty  
built-in cardboard  
handle on each roll.



Code	Size	Ctn	Net/RI
Q3120D	3"x 700' L	18	\$ 3.39
Q380D	3"x 1000' L	18	3.39



RETURN SERVICE REQUESTED

PRSRT STD  
U.S. POSTAGE  
**PAID**  
San Francisco, CA  
PERMIT NO. 200

## April - May 2017 Specials

Order Desk (800) 244-1455 Fax (415) 552-5840  
Email [orders@macmurraypacific.com](mailto:orders@macmurraypacific.com)  
On the Web [www.macpac1.com](http://www.macpac1.com)

## Push to Open → Soft Close

### As Easy to Install as a Std. Undermount.

Full Extension Undermount, Load Cap: 75 lbs.



## King Slide®



**75 lbs. Dynamic**

- Push-Open, Handle-Free. Drawer springs open part way. Open fully by hand. Silent Soft close damper. Operates push or pull open.
- All mechanical device, non-electric
- Drawer side thickness: 1/2" to 5/8" (16mm)
- Tool-less height adjustment with 3.5mm range
- Wide tolerance for drawer width: +0/-2mm, and for drawer depth: +1/-1mm
- Patented tilt correction built-in

Includes Clips and Rear Mount Brackets



Pack: 2 pr. /box, Full boxes only.

Code	Drawer Box Length	Net/pr	8+
1A88F-12	12", 305mm	\$ 45	\$ 40
1A88F-15	15", 381mm	47	42
1A88F-18	18", 457mm	50	45
1A88F-21	21", 533mm	52	47



See video at [MacMurrayPacific.com/videos#king](http://MacMurrayPacific.com/videos#king)

### Contents:

Adhesives: Newstar Everstrong	1
Counter Brackets, concealed	4
Blind Corner Storage	3
Drawer Slides	5,8,9,12
Drop Out: Spice Rack Storage	3
Edgebanding	6
Elemental LED: SwitchEx Lighting	5
Festool	6,7
Floating Shelf Brackets	11
Fulterer Side Mount Slides	5
Grass DynaPro Slides	9
Hettich Quadro Undermounts	8
King Slide Push to Open Slides	12
Mohawk Lacquer	7
Olympus Locks	4
Rev-A-Shelf Products	2,3
Salice Switch Hinges	1
Senco Nailers	6
Shrink Wrap	11
Simonswerk Tectus Hinges	10
Sugatsune Lift Up Stays	11
Valspar Conv. Varnish	7
Vauth Sagel Storage Systems	4

Vendor reserves the right to correct or update this flyer as necessary.