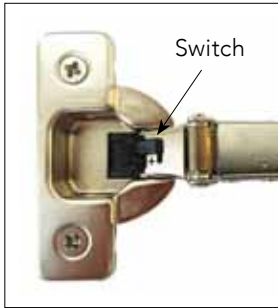


SALICE SWITCH HINGE

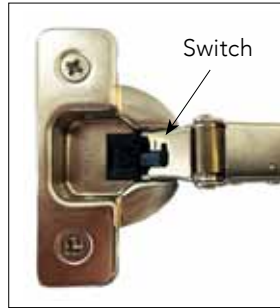
3 Settings

\$ 1.99 /ea.

- Soft Close with **3 Door Settings:**
 - Heavy** (with '+' sign showing on both hinges)
 - Medium** (with one '+' sign and one '-' on each hinge)
 - Light** (with '-' sign showing on both hinges)



Switch in Heavy '+' position



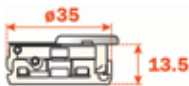
Switch in Light '-' position

Switch Hinge, Soft Close - with Dowels

Code	Description	Net 50	300
C7R6AG9	110°, Full Overlay	\$ 2.19	\$ 1.99
C7R6DG9	110°, 1/2" Overlay	2.19	1.99
C7R6GG9	110°, Half Overlay	2.19	1.99



See videos at macmurraypacific.com/videos.html#salice



13.5 (17/32")
cup depth

CLEAR FINISHED EDGE BANDING

Genuine Wood Veneer



Pre-Glued, 250' Rolls - Prefinished

Code	Width	Specie	Net/Roll	3+
KP-MP-58	5/8"	Maple	\$ 28	26
KP-CH-1316	13/16"	Cherry	33	31
KP-MP-1316	13/16"	Maple	35	33
KP-CH-78	7/8"	Cherry	34	32
KP-MP-78	7/8"	Maple	36	34

Automatic, 500' Rolls - Prefinished Unglued

KTB-MP-58	5/8"	Maple	\$ 50	\$ 47
KTB-MP-78	7/8"	Maple	63	59
KTB-CH-78	7/8"	Cherry	55	53

MOHAWK LACQUERS 25% Solids DuraCoat™ Lacquer

Features moisture resistance, good flexibility and mar resistance. Passes KCMA testing. Low VOC.



All 5 gallon pails.

550 VOC Pre-Catalyzed	Finish	Sheen	1 pail	5
M610-24808	Gloss	80	\$ 131	\$ 126
M610-24608	Semi-Gloss	60	131	126
M610-24408	Satin	40	131	126
M610-24208	Matte	20	131	126
M610-24108	Dead Flat	10	131	126
M610-6408	White Satin	40	159	154
M610-24008	Sealer	-	131	126
M610-8008	EZ Vinyl Sealer		120	115

275 VOC Post-Catalyzed	Finish	Sheen	1 pail	5
M612-34608	Semi-Gloss	60	125	120
M612-34408	Satin	40	125	120
M612-34208	Matte	20	125	120
M612-34108	Dead Flat	10	125	120
M612-36408	White Satin	40	145	140
M612-34008	Sealer		125	120
M612-8008	EZ Vinyl Sealer		125	120
M612-3015	Catalyst 16 oz per 5 gal. allows 6 months use life		6.41	

ULTRA PENETRATING STAIN™

Mohawk



A transparent dye stain that does not raise grain. Brush or spray on wood or mix in lacquer for toning. **30 Colors**, can be intermixed. 120 VOC. Greenguard.



Size	Net
1 Gallon (code 7)	\$ 35 /gal
1 Quart (code 6)	15 /qt

Code	Color	Code	Color
M520-203	Yellow	M520-249	Perfect Brown
M520-205	Mustard	M520-273	Modern Mahgny
M520-206	Light Walnut	M520-337	Golden Oak
M520-207	Med Brwn Walnut	M520-386	Med Mahogany
M520-209	Xtra Dark Walnut	M520-408	Cherry
M520-218	Lt Red Mahogany	M520-413	Green
M520-224	Black	M520-414	Blue
M520-227	Dk Red Mahogany	M520-415	Lt Golden Oak
M520-229	Brown Mahogany	M520-476	Burnt Sienna
M520-234	Med Dk Walnut	M520-477	Raw Sienna
M520-236	Brown Maple	M520-0143	Red Umber
M520-238	Orange	M520-0205	Med Walnut
M520-240	Colonial Maple	M520-1435	Burnt Umber
M520-242	Red	M520-1478	Van Dyke Brown
M520-245	Oxblood	M520-2046	Lemon Yellow

* 7 follows product code for Gal. sizes, 6 follows code for Qt. sizes.

KNIFE/UTENSIL BASE ORGANIZER
 with Soft Close Undermount Slides



- Features 2 universal knife inserts
- 8C includes one 5-1/4" x 6-7/8" stainless steel bin, 11C includes two 5-1/4" x 6-7/8" bins and two 5" x 5-7/8" stainless steel bins
- Easy to clean

448KB-BCSC-11C

- Includes door mount brackets & adjustable rub bushings
- Adjustable rear wall for extra strength and stability
- Knife inserts feature movable flex rods that adjust to hold a multitude of knives

Code	Min. Opening	Net/ea
448KB-BCSC-8C	9"W x 21-3/4"D x 25-3/4"H	\$ 255
448KB-BCSC-11C	12"W x 21-3/4"D x 25-3/4"H	295

UTENSIL BIN BASE ORGANIZER
 with Soft Close Undermount Slides



- Adjustable shelves and rear wall for extra strength and durability
- 3 stainless steel bins
- Sizes accommodate 5-1/2" and 8-1/2" min. cabinet openings

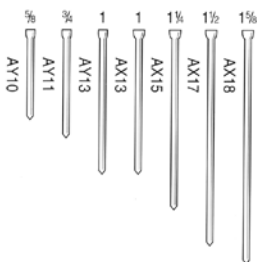
448UT-BCSC-8C

Code	Min. Opening	Net/ea
448UT-BCSC-5C	6"W x 21-3/4"D x 25-3/4"H	\$ 170
448UT-BCSC-8C	9"W x 21-3/4"D x 25-3/4"H	194

18 Ga. Straight Strip Brad Nails
 Galvanized Steel



AX = Medium Head Brad
 AY = Slight Head Brad



Code	Size	1 Bx	2+
AY10	5/8"	\$ 17.72	\$ 16.83
AY11	3/4"	19.54	18.56
AY13	1"	20.65	19.61
AX13	1"	11.79	11.26
AX15	1-1/4"	9.91	9.42
AX17	1-1/2"	11.05	10.50
AX18	1-5/8"	20.60	19.57

SALICE Waste / Recycle Pull-Outs



- Easy to Install
- Bottom Mount, Soft Close
- Smooth Undermount Slides
- Door mount brackets improve stability: 15" vertical centers
- Bins equipped with handles to lift cans up
- Depth: 19-5/8", Height: 19-1/2"

Code	Description	Net/ea
QPAM12-1C	Single 35 Qt, 12"W Base pull-out	\$ 70
QPAM15-2C	Double 32 Qt, 15"W " "	89
QPAM18-2C	Double 32 Qt, 18"W " "	102
QPAM21-2C	Double 35 Qt, 21"W " "	122



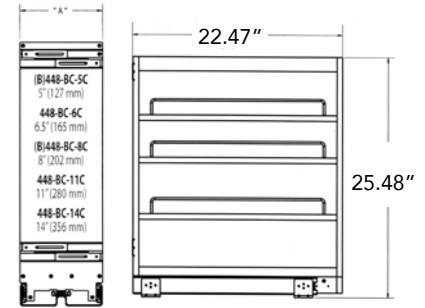
REV-A-SHELF PULL-OUT BASE ORGANIZER



448-BC-8C

- Micro door adjustment

- 7 Sizes
- Adjustable Shelves



Pull-out Base Organizer contains: 3-tier pull-out, chrome side rails and full extension "tri-slides" for complete stability and easy installation.

Code	Dimensions	Net/ea	3+
448-BC-5C	5.5"W x 25-1/2"H x 22-1/2"D	\$ 69	\$ 64
448-BC-6C	6.5"W x 25-1/2"H x 22-1/2"D	91	89
448-BC-8C	8"W x 25-1/2"H x 22-1/2"D	79	76
448-BC-11C	11"W x 25-1/2"H x 22-1/2"D	159	152

Soft Close Blum	Min Opening	Net/ea	2+
448-BCSC-5C	6"W x 25-3/4"H x 22-3/4"D	\$ 123	118
448-BCSC-6C	7"W x 25-3/4"H x 22-3/4"D	144	137
448-BCSC-8C	9"W x 25-3/4"H x 22-3/4"D	144	139
448-BCSC-9C	10"W x 25-3/4"H x 22-3/4"D	171	169
448-BCSC-11C	12"W x 25-3/4"H x 22-3/4"D	176	171

UNDERMOUNT WASTE CONTAINERS

53WC - Soft Close, Single & Double Bins



- Single & Double 35 & 50 Qt. Soft Close Waste Containers
- Full Extension Soft-Close slides - 90 lbs. capacity
- Door mount brackets included
- Removable Rear Basket on Single version
- Fast Bottom Mount install
- Order Frame, Bins and Lids Separately



50 Qt. size shown

Frame Dimensions

53WCF-117SC-48: 10-7/8" W x 22-1/4" D x 19" H
 53WCF-217SC-48: 14-3/8" W x 22-1/4" D x 19" H

Frames	Description	Net/ea
53WCF-117SC-48	Single Bin Frame	\$ 85.00
53WCF-217SC-48	Double Bin Frame	85.00

Bins

RV-35-17-8	Silver 35 Qt. Bin	\$ 6.99
RV-50-17-8	Silver 50 Qt. Bin	13.85

Lids

RV-35-LID-17	Silver 35 Qt. Lid	\$ 9.99
RV-50-LID-17	Silver 50 Qt. Lid	10.99

Set: 53WC Frame with Two 27 Qt. Silver Bins

53WC-1527SCDM-217 11-1/4"W x 22-1/8"D x 19"H \$ 97/st

SENCO BRAD NAILER - SLP20XP



Net \$ 145

SLP20XP
 Height: 8-1/4"
 Length: 9-1/2"
 Lip Length: 3/4"
 Magazine Capacity: 110
 Operating Pressure: 70-120 psi
 Mode of Operation: Restrictive Trigger
 Hose Fitting: 1/4" NPT

Use with AY10, AY11, AY13, AX13, AX15, AX17, AX18.
 Easy side loading allows you to change brad lengths without adjusting the tool. Lightweight 2.3 lbs for easy handling and maneuvering. Comfort grip handle and oil-free design.

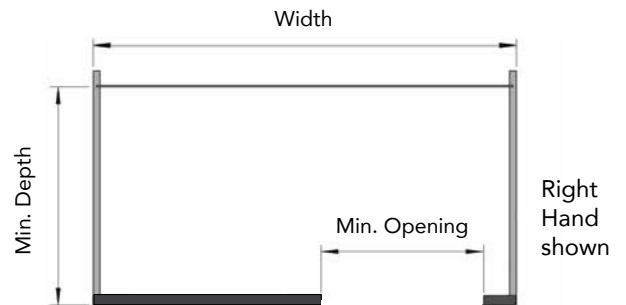


SWING CORNER

- Shelves pull out independently
- Height adjustable for overhead drawer
- Maple shelves with non-slip surfacing
- Brushed Nickel trim
- Load cap: 110 lbs. (55 lbs. per shelf)
- Minimum Installation Height: 20"
- Minimum Installation Depth: 21"



Right Hand unit shown



Code	Min Opening	Width	Net/ea
AS-R-15-3	16" RH	33-1/2"	\$ 236
AS-L-15-3	16" LH	33-1/2"	236
AS-R-18-3	19" RH	34-1/2"	246
AS-L-18-3	19" LH	34-1/2"	246
AS-R-21-3	22" RH	39-1/2"	257
AS-L-21-3	22" LH	39-1/2"	257



Decorative Hardware
 from
 MacMurray Pacific



FAST : Bottom Mounted
CORNER SYSTEM : FLEX CORNER
 Made in Germany

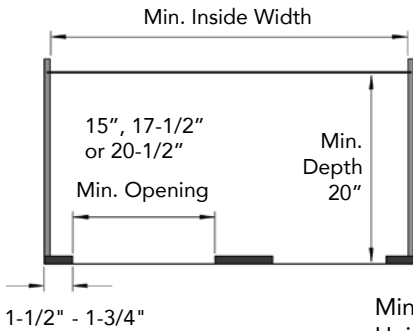


Flex Corner : Maple Baskets



Soft Close

- **Easy bottom mount installation**
- Non-handed
- Face frame or Euro style installation
- Load cap: 21 lb. per basket
- Saphir Chrome or Maple baskets



Chrome Baskets

Size	Min. Inside Width	Min. Opening	Min. Depth
1	27-1/4"	15"	20"
2	31-5/8"	17-1/2"	20"
3	34-1/2"	20-1/2"	20"

Order 1 frame and 1 basket set. Basket set consists of 2 front baskets and 2 rear baskets.

Frame	Description	Net
90006112	Size 1 Frame	\$ 189
90006113	Size 2 or Size 3 Frame	196

(CR) Saphir Chrome or (MP) Maple Basket sets*

CR 90006117	Size 1	Front: 11" W x 16" D	\$ 110
MP 90006257		Rear: 11" W x 20" D	235
CR 90006255	Size 2	Front: 13-3/4" W x 16" D	120
MP 90006258		Rear: 12-3/4" W x 20" D	242
CR 90006256	Size 3	Front: 13-3/4" W x 16-3/8" D	137
MP 90006259		Rear: 15-3/4" W x 20" D	247

* Basket sizes are approx. Height of basket railing: 2-3/4"

YouTube See video at MacMurrayPacific.com/videos#vauthsagel

CHEF PANTRY
 9000 Series

12 Minute Install
Soft Close

Full Depth: 22-3/4"
High Capacity: 23% more storage



Chrome Plated Baskets



Maple Melamine base, silver powder coated baskets

- Five widths : 9" - 20"
- Any height : 26" - 84"

Made in Germany

Door adjusts:
 Height, Side, Door Warp & Tilt



High Gloss Custom Door & Drawer Fronts

Allow 5-7 Days

LUXE is an advanced decorative panel with a high gloss finish on one face, while the back is a matching decorative matte melamine in the same design.

- 3/4" MDF Core
- High Gloss Polyester Front / Matte Back
- Two Edgebanding options (solid and bi-color)
- Separate edgebanding & boards available

Download Luxe Order Form at
macmurraypacific.com/forms.html





Zeta P2 for Biscuits and RTA fittings



Zeta P2
101402S

- Features Vertical Mechanical Drive (VMD) for a preset depth cut followed by a vertical movement profile cut. Allows for Clamex and Tenso connector system.
- Comes in a Systerainer box and includes a carbide tipped profile groove cutter.

Code	Description	Net/ea
101402S	Zeta P2 for biscuits and fittings	\$ 1650

Bisco P-15/14

Alignment element for Clamex & Tenso P-14. Made of thick plastic, 7mm thick. Can also be used for glueing, and increasing shear strength.



Clamex P-14

The Detachable, Eccentric Cam Connector slides into place -- No Tools Required.



66 x 28 x 9.7mm

Slide Connectors into pre-cut slot, match up panels with built-in alignment tabs, lock cam lever by a turn of hex key.

Joins any miter angle without glue or screws to create RTA (ready to assemble) connections.

Tenso P-14

Glue Faster: Invisible Self-Clamping Glue Fitting

66 x 28 x 9.7mm



Clamex P-14	Description	Box	Net/bx
145334	Cam Connectors	80 pr	\$ 109
145346	" "	300 pr	399

Tenso P-14

145415	Glue Clamp	80 pr	\$ 79
145425	" "	300 pr	229

Bisco P-15/14

145301	Alignment Fitting	80 ea	34
145302	" "	300 ea	82



See video at macmurraypacific.com/videos.html#lamello

WORK STATION SUPPORT BRACKETS

For Countertops, Desktops and Table Supports



1000 lb. load



- 11 Gauge Steel (1/8" thick)
- Weight Limit Exceeds 1000 lbs/pr.
- 1-1/2" Forms with 1/4" Holes

Code	Size	Color	Ctn	Net/pr
812BL	8" x 12"	Black	5 pr.	\$ 12
812WH	8" x 12"	White	5	12
1218BL	12" x 18"	Black	3	15
1218WH	12" x 18"	White	3	15
1521BL	15" x 21"	Black	3	22
1521WH	15" x 21"	White	3	22
1824BL	18" x 24"	Black	3	29
1824WH	18" x 24"	White	3	29
2429BL	24" x 29"	Black	3	44
2429WH	24" x 29"	White	3	44

FASTCAP SPEEDBRACE "STEALTH"

12" & 16" mounted on pony wall

24" mounted on double bracing



Nearly invisible when installed

The Stealth Speedbrace supports your countertop and bar overhangs with no visible kicker or expensive corbels. A pair of standard braces will support 300 lbs. of weight, **Heavy duty** version supports **500 lbs.** Sold individually.

Features

- Std. brace 3/16" thick Steel, HD brace: 12": 1/4" thick; 16", 24", 30": 3/8" thick
- All 3-1/2" wide
- Countersunk screwholes
- Black Finish

Great For:

- Countertops
- Bars
- Extra Bracing

Code	Description	Net/ea
SB-12BL	12" Speedbrace, 300 lbs/pr.	\$ 7.00
SB-16BL	16" Speedbrace, "	8.40
SB-24BL	24" Speedbrace, "	11.20
SB-12HD	12" HD Speedbrace, 500 lbs/pr.	\$ 8.74
SB-16HD	16" HD Speedbrace, "	16.98
SB-24HD	24" HD Speedbrace, "	23.29
SB-30HD	30" HD Speedbrace, "	34.12

"FASTEDGE" PEEL & STICK EDGE BANDING

No more Ironing!

**Amazing Adhesion
Quality PVC**

15/16" Width
250' Rolls



Code	Description	Width	Net/rl
FESP1516-250WH	PVC, White	15/16"	\$ 65
FESP1516-250BL	PVC, Black	15/16"	65

PREMIUM VENEER SHEETS

High grade sanded veneers. Backing provides stability and flexibility while helping to minimize splitting, grainraise and glue seepage. 10 mil paperback. Full Boxes only.



2' x 8' Sheets w/PSA (2 per box)

With Pressure Sensitive Adhesive Backing; peel off back and press on.

Code	Description	Net/sheet
FJA461	Maple, 2' x 8'	\$ 44
FJA453	Red Birch, 2' x 8'	65
FJA455	Cherry, 2' x 8'	47
FJA458	Red Oak, 2' x 8'	38
FJA505	Alder, 2' x 8'	49

NORTON SANDING SPONGE

Norton high density sanding sponges can be used wet or dry. Coated one side. Lasts 3x longer than sandpaper. Size: 4-1/2" x 5-1/2" x 3/16". Brown in color.



Code	Description	Ctn	Net/ea
02255	Sanding sponge 220 x Fine	100	\$ 1.40
02256	Sanding sponge 150 x Fine	100	1.40



HANGER SETS

Use with 100 Series Tracks

Soft Close Hanger Set #1060SC

- Doors up to 200 lbs. are smoothly braked then pulled into a closed position
- Use 1 set #1060SC plus #1125H Hanger for 1-way soft close
Use 2 sets #1060SC for 2-way soft close
- Min Door thickness: 1"
- Soft Close or Soft Open only, Min door Width: 24"
- Soft Close and Soft Open, Min door Width: 28"



Set includes:

- Soft Close Assembly
- Actuator Arm
- #1121 Hanger plate
- Adjustment wrench
- Mounting screws



Code	Net
1060SC	\$ 24


Heavy Duty Hanger Set #1125H

Heavy Duty Ball Bearing Hanger. Comes with mounting plate and screws. Use one hanger with 1060SC Soft Close Hanger for 1-way soft close.



Code	Net
1125H	\$ 5.68

Use with 100 Series Track

	Track	Opening Size	Ctn	Net/ea
	100-0060	60"	25	\$ 9
100-0072	72"	25	10	
100-0096	96"	10	15	
100-0144	144"	10	23	



Check out YouTube Video for Easy Installation
macmurraypacific.com/videos.html#johnson

SURFACE MOUNT FLAT TRACK SETS - 6.5' and 8'

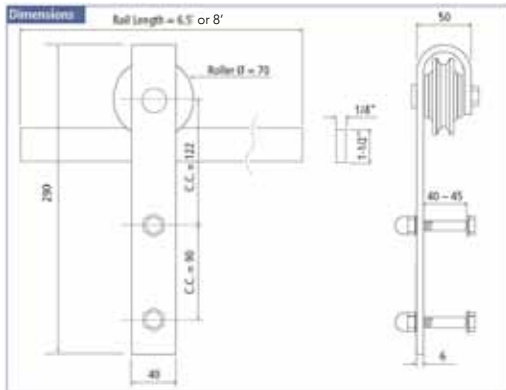
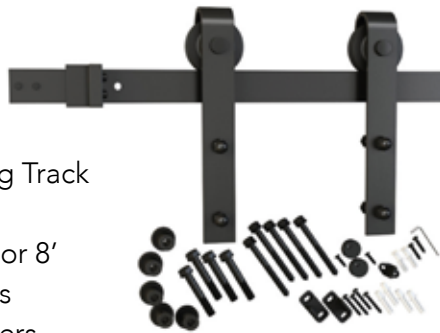
Retail View Pack Kits



- Carbon Steel Matte Black w/ Powder coat
- Max. Door Weight: 350 lbs. (160 kg)
- For door thickness of 1-1/4 to 1-3/4"

• **Set Includes:**

- (5) Clamps for Fixing Track
- (2) Door Stoppers
- (1) Rail, Length 6.5' or 8'
- (2) Anti Jump Blocks
- (2) Sliding Door Rollers
- (1) Floor Guide
- Screws and Allen Key



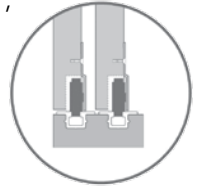
Flat Rail Surface Mount Specs

Code	Description	Net	Net/2+
FT-MB-6	Surface Mount 6.5' Matte Black Flat Track Set, Retail View Pack	\$ 115	\$ 99
FT-MB-8	Surface Mount 8' Matte Black Flat Track Set, Retail View Pack	119	109
FRC-MB	Flat Rail Connectors, Matte Black	3	2 ⁵⁰

CABINET SLIDING SYSTEMS - Ducasse

AL 1535 mounts 2 Doors - **33 lbs. /door**
 CD 30CX mounts 1 Door - **66 lbs. /door**

- Load Capacity: **33 lbs or 66 lbs/door**, ANSI-BHMA, Grade 1
- Panels can be installed left or right, can close an opening up to 10'.
- High quality rollers for a silent, smooth glide
- Min door thickness: 5/8"



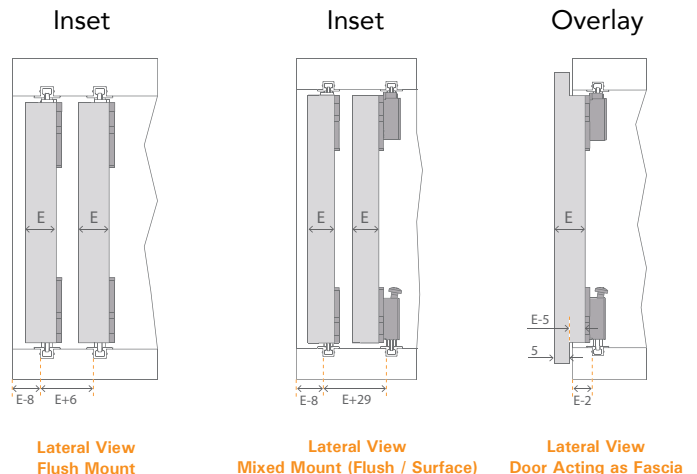
Carrier Installation
35mm edge bore



Code	Description	1	4+
012103	AL 1535 for 2 Doors, 33 lbs.	\$ 17.42	\$ 16.55
10100117092	CD 30 CX for 1 Door, 66 lbs.	15.96	12.95
021CXE1	Track CXE AL, 6.5'	5.67	5.39
021CXE2	Track CXE AL, 9.85'	8.70	8.27

CD 30 CX can be flushed or surface mounted. Spring loaded for ease of install.

CD 30 CX:

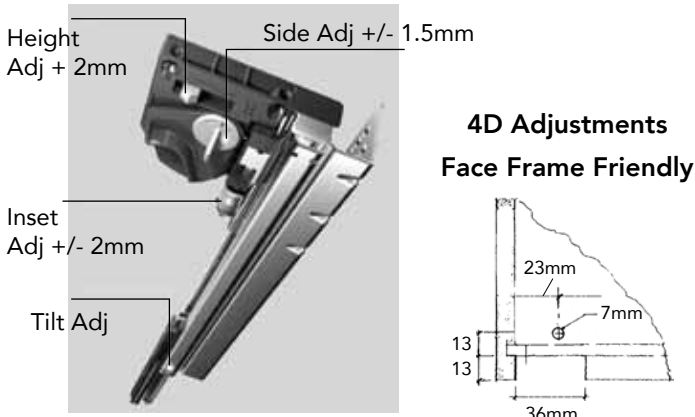


Lateral View
Flush Mount

Lateral View
Mixed Mount (Flush / Surface)

Lateral View
Door Acting as Fascia

Hettich **QUADRO 4D UNDERMOUNT**
 4-Way adjustment, Chrome steel bearings



- Load cap: 100 lbs. when mounted to case side
- Silent system: Easy open, soft quiet close
- Tool-less **height, side & depth** adjust.
- Optional rear **tilt**.



Code	Size	Ctn	Net/5 pr	20 pr
9181140-41	9"	10 pr.	\$ 17.50	\$ 16.50
9181142-43	12"	10	17.50	16.50
9181144-45	15"	10	17.50	16.50
9181146-47	18"	10	16.95	16.18
9181148-49	21"	10	16.95	16.18
9181150-51	24"	10	31.25	27.95

Code	Description	Ctn	Net
9218980	Front Fixing Clips (pr), includes spacer	10	1.79 /pr
9205924 /25	Tilt Adjustment LH/RH	100	.76 /ea
9055093	Metal Rear Bracket	10	1.32 /st

YouTube See video at MacMurrayPacific.com/videos#hettich

4D Euro Series IW20
Quadro - 14 Sizes



Code	Drawer Size	Code	Drawer Size
9181186-87	11", 280mm	9181200-01	18" , 450mm
9181188-89	12" , 300mm	9181202-03	19", 480mm
9181190-91	13", 320mm	9181204-05	20" , 500mm
9181192-93	14.2" , 350mm	9181206-07	21", 520mm
9181194-95	15.4", 380mm	9181208-09	22" , 550mm
9181196-97	16" , 400mm	9181210-11	23", 580mm
9181198-99	17", 420mm	9181212-13	24" , 600mm

Uses 4D Clips shown above

SALICE: Soft Close Undermount

New Smoother
 Full Extension Slide **\$ 13.50/pr**

Face Frame Friendly:
 Mounts on face frame or frameless 37mm. Mounts flat on cabinet floor.



WOODWORK INSTITUTE
75 lbs.

Standard Box Sizes 21", 18", 15", 12"
 Packed: 6 pr/ctn.

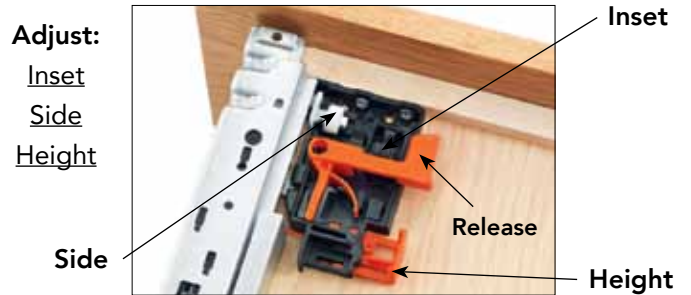
Code	Drawer Length	1 pr	12 pr	36+
A7555-12	12" 305 mm	\$ 15.25	\$ 14.75	\$ 14.60
A7555-15	15" 381 mm	15.25	15.09	14.95
A7555-18	18" 457 mm	15.25	14.75	13.50
A7555-21	21" 533 mm	15.45	14.45	13.50
*A6555-24	24" / 600mm	22.02	20.84	19.99

A710.610 Front Clips \$.99/pr.
 AGSKXC5 Back Bracket .39/ea.

* Does not allow rear bracket

Side Adjustable Clips w/ Inset adjustment

6 way adjustable LH/RH clips
 A750.010 Net/pr. \$ 2.89



DRAWERS: Pre-Assembled & Machined for Quadro, Grass, Enterprise and Salice Slides.



Materials: Solid Maple, Melamine, Maple 9-ply prefinished and unfinished, 7-ply prefinished Maple, MDF and more.

Rush Service avail. in Bay Area.

Construction: Dovetail, Butt Joint or Dowelled.

Customer Specs: Boxes guaranteed to size within 1/32" width, 1/16" height and 1/8" depth. All dimensions are O.D.

Fax Orders to: 415-552-8577
 or email: orders@macmurraypacific.com

Grass SOFT CLOSE SLIDE



- Soft-pull, soft-close
- **100 lb.** dynamic load
125 lbs. static
- Drawers up to **48" wide**
- Made in Austria; **Grass**
- **132 lb.** Heavy Duty Dynamic
- **Anti-racking**
 - Smooth and fluid movement
 - Progressive / syncro-motion - no pickup bump
 - Minimal side sway - great for wide drawers
 - No stabilizer bars needed

100 lb Dynamic



Side Adjustment

* Inset Adjustment



Rear Tilt Adjustment

100 lb. Dynamic Load - Height / Side Adjustment

Code	Description	Net 5 pr.	Net 20 pr.
DP-9	9" soft-close slide	\$ 21.90	\$ 20.95
DP-12	12"	17.50	16.50
DP-15	15"	17.50	16.50
DP-18	18"	16.95	15.95
DP-21	21"	16.95	15.95

100 lb. Dynamic Load - 3D: Height/Side/Tilt Adjustment

DP-9-3D	9" soft-close slide	22.97	22.33
DP-12-3D	12"	18.95	18.50
DP-15-3D	15"	18.95	18.58
DP-18-3D	18"	18.95	17.95
DP-21-3D	21"	18.95	17.95

132 lb. Dynamic Load - 3D: Height/Side/Tilt Adjustment

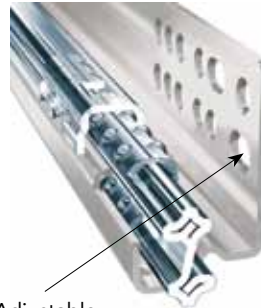
DP-18-HD	18" heavy duty slide	\$ 35.00	\$ 31.56
DP-21-HD	21"	35.00	33.37
DP-24-HD	24"	39.19	38.41
DP-27-HD	27"	48.78	47.39
DP-30-HD	30"	55.50	53.92

DP-CL/CR	Front Clips, Ht & Side	.95/ea.	.90
DP-CL/CR-3D	Rear Tilt Clips LH, RH	.58/ea.	.49
7950	Rear Metal Bracket	.78/ea.	.75
*DP-I	Inset Adjuster - Snaps on all DP slides	2.52/pr.	2.45



QUADRO 2D UNDERMOUNT

2-Way adjustment, Steel bearings



Adjustable mounting

\$ 10.99 /pr.

Quadro 100 lb. *Dynamic Load Cycles



Less sag with all kitchen undermount drawers.

Full Extension

24" 21" 18" 15" 12" 9"

Smooth soft close. WIC Approved at 100 lbs / 21".
Elongated hole pattern allows setback adjustment.
100 lb. ANSI/BHMA Grade 1.
All Steel Bearings.



100 lbs.

5 pr/ Ctn.

IW21 Code	Max Drawer Box Length	Min. Cab Depth	Net 5+	20
9048793	18"	18-7/8"	\$ 11.98	10.79
9048776	21"	21-7/8"	12.50	10.99
9026839	Front Clips, 5/8" and 1/2"		\$ 1.32/pr	
9140416	Front Clips, 1/2" mat. only		.74	New
9055093	Rear Metal Adj. Brackets		1.29	

SOFT-CLOSE Undermount : Enterprise CS2

Concealed Full Extension Slide

\$ 9.50



BS8-1

Face-Frame Friendly:

- Clips adjust to 1/2" or 5/8" side
- Full Extension, Soft-Close
- Max Load: 75 lb class
- Positive lock height adj.
- Rear bracket available

Packed: 6 pr/ctn.

Code	Drawer Length 1/2" or 5/8"	Depth w/ rear bracket	Net/pr.	12
CS2-12	12" 305 mm	340 - 360	\$ 9.85	\$ 9.25
CS2-15	15" 381 mm	416 - 436	9.85	9.25
CS2-18	18" 459 mm	494 - 514	9.95	9.25
CS2-21	21" 533 mm	568 - 588	10.89	9.50
BS8-1	Clips - Plastic Gray		1.05	.99
RMB	Rear Brackets, Steel		.29	.27



Soft Close

200 lb. Load Cap.

Fulterer 5210 11"- 28" in stock
Full-Extension, 1/2" Side, 200 lb.

Fulterer 5210ECD 16"- 24" in stock
Soft-Close, Full-Extension,
1/2" Side, 200 lb.

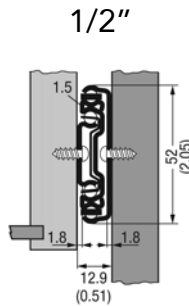


Code	Size	Net/pr.
5210-18	18"	\$ 17.50
5210-20	20"	17.57
5210-22	22"	17.95
5210-24	24"	19.31

Full Extension 11" - 28" In Stock

5210ECD-18	18"	\$ 20.13
5210ECD-20	20"	21.21
5210ECD-22	22"	22.64

Soft Close 16" - 24" In Stock



1/2" side

SOFT CLOSE SIDE MOUNT BALL BEARING SLIDES



Enterprise

- 100 lbs. Load Capacity
- Soft Close, Soft Pull
- Full Extension
- 1/2" Side Space
- Ball Bearing
- Rear Bracket available
- Stocking 14" to 28" sizes



Soft Close **\$ 7.95 /pr 22"**

10 pr/Ctn. Bulk, No screws

Code	Size	Net/10	Net/50
4903-14	14"	\$ 5.98/pr	\$ 5.64/pr
4903-16	16"	6.52	6.15
4903-18	18"	7.20	6.80
4903-20	20"	7.69	7.26
4903-22	22"	8.51	7.95
4903-BRKT	Rear Bracket	.48/ea	.46/ea

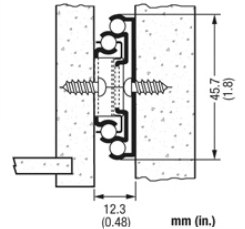
FULTERER 5001ECD Soft Close Slide
Full Extension, Load Capacity: 100 lbs.



22" - \$ 9.95



- Full extension, ball-bearing slide
- ECD mechanism provides impact absorbing soft-close feature
- Smooth & Quiet



12 - 28" In Stock

10 pr/Ctn. Bulk, No screws

Code	Size	10 pr	50 pr
5001ECD-16	16"	\$ 10.15	\$ 9.15
5001ECD-18	18"	10.85	9.50
5001ECD-20	20"	11.15	9.75
5001ECD-22	22"	11.40	9.95

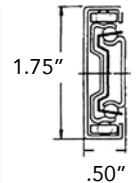
5000MET	Rear Bracket	.95/pr
5000BMB	Bottom Mount Bracket	.50/ea



K45 ENTERPRISE FULL EXTENSION DRAWER SLIDE
Steel Ball-bearing, Load Cap: 75 lbs.

22" = \$ 3.45

- Faceframe mounting hole
- Trigger Release



Pack: 15 pr.

Code	Size	Net 15 pr	Net 30 pr
K45-14	14"	\$ 2.54	\$ 2.23
K45-16	16"	2.91	2.55
K45-18	18"	3.27	2.86
K45-20	20"	3.50	3.18
K45-22	22"	3.95	3.45
K45-BR	Rear Mount Brkt	\$ 1.36/pr	

ROCKY MOUNTAIN®
H A R D W A R E
HANDCRAFTED BRONZE HARDWARE



door	hinges	grips
window	tile	sinks
cabinet	custom	faucets



BALDWIN

Quickship Program for Estates

Ships in 5 working days or less. See Quickship Catalog on our website: macmurraypacific.com/forms.html#Lit

Baldwin now offers a Quickship program for its Estates line. Choose from handlesets, pre-configured knobs and levers, keyed entry knobs and levers, deadbolts and high quality hinges - available in a variety of finishes. Handlesets available in both tubular and mortise functions.



TECTUS®
by SIMONSWERK

3-WAY ADJUSTABLE CONCEALED HINGES



TE-240-3D
88 lbs/pr.

For 1.02" (26mm) Door Min.



TE-340-3D
176 lbs/pr.
For 1-1/2" (38mm) Door Min.

TE-540-3D
264 lbs/pr.
For 1-5/8" (40mm) Door Min.

Completely concealed for flush doors with wood, steel or aluminum frames. Opening angle up to 180°, non-handed.

Coated Finishes



F1 - Satin Chrome Look



F2 - Satin Nickel Look

Code	Door Min	Finish	Net/ea
TE-240-3D-F1	1"	Sat Chrome Look	\$ 65
TE-240-3D-F2	1"	Sat Nickel Look	62
TE-340-3D-F1	1-1/2"	Sat Chrome Look	75
TE-340-3D-F2	1-1/2"	Sat Nickel Look	75
TE-540-3D-F1	1-5/8"	Sat Chrome Look	118
TE-540-3D-F2	1-5/8"	Sat Nickel Look	118

Other finishes available:



Rustic Umber



Matte Deep Black



Stainless Steel Look



Satin Nickel (Plated)

TECTUS MILLING FRAME AND ROUTING TEMPLATES



Makes door prep fast and easy. Jig clamps to door or frame to hold templates in perfect alignment.

Code	Description	Net/ea
TE-JIG	Universal Milling Frame	\$ 288



See video at macmurraypacific.com/videos.html#simonswerk

Routing Templates

RT-DOOR-240	Routing Template, Door	\$ 44
RT-FRAME-240	Routing Template, Frame	44
RT-DOOR-340	Routing Template, Door	37
RT-FRAME-340	Routing Template, Frame	37
RT-540-S1	For TE-540-3D, Step 1	\$ 36
RT-540-S2	For TE-540-3D, Step 2	36
RT-540-A8-S3	For TE-540-3D-A8, Step 3	36



June - July 2017 Specials

Order Desk (800) 244-1455 Fax (415) 552-5840
Email orders@macmurraypacific.com
On the Web www.macpac1.com

ES10 & ES80 CONTACT CEMENT

- No VOCs, No ODS, No Haps, Flammable
- SCAQMD Rule 1168 & OTC Compliant
- LEED Compliant
- Fast Tack Bond
- High Temp resistance > 200° F.
- Pebble spray pattern
- Postformable • Low Odor



ES10P-13C

New ES10 +

Longer Open Time
Better Spray pattern
2017 CA VOC Compliant



Code	Description	Net/ea	36+
ES10P-13C	13 oz. 2017 Spray Adhesive, Clear	\$ 6.95	\$ 6.50
ES80-13C	13 oz. Spray Adhesive, Clear (long open time)	6.45	6.25
ES10-CC	13 oz. Citrus Adhesive Remover	6.45	6.25



EVERSTRONG



Contents:

Abrasives: Norton Sponges	6
Adhesives: Newstar Everstrong	12
Baldwin Quick Ship	11
Barn Door (Flat Track) Hardware	7
Brackets, Work Station	5
Drawer Slides, Side Mount	10
Drawer Slides, Undermount	8,9
Ducasse Cabinet Sliding Systems	7
Edgebanding: Wood, Fastcap PVC	1,6
Fastcap SpeedBrace Supports	5
Johnson Door Hardware	6
Lamello Tools / Accessories	5
Luxe High Gloss Panels	4
Mohawk Lacquer / Stain	1
Rev-A-Shelf Products	2,3
Rocky Mountain	11
Salice Switch Hinges	1
Salice Waste/Recycle Pull Outs	2
Senco Nailers / Brads	2,3
Swing Corner Kitchen Storage	3
Tectus Hinges / Templates	11
Vauth Sagel Storage Systems	4
Veneer Sheets	6