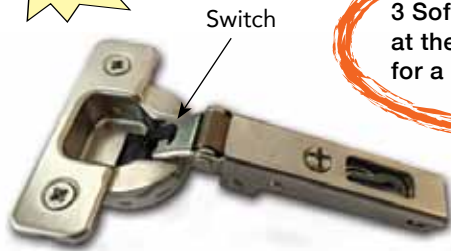




SALICE FULL OVERLAY SWITCH HINGE

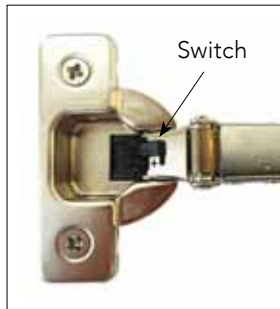
Soft Close with Adjustable Settings



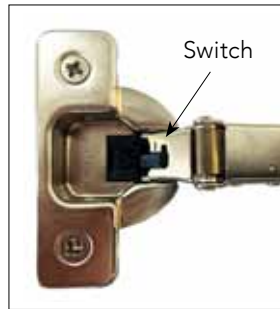
C7R6AG9

3 Soft-Closing speeds at the touch of a switch - for a wide range of doors.


\$ 1.99 /ea.

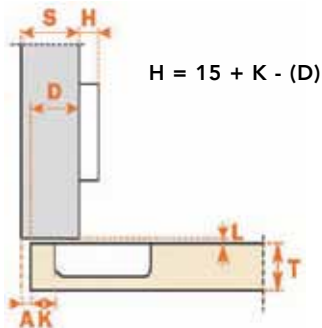
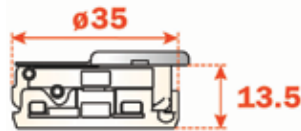


Switch in Heavy '+' position



Switch in Light '-' position

- Soft Close with 3 Door Settings:
 - Heavy (with '+' sign showing on both hinges)
 - Medium (with one '+' sign and one '-' on each hinge)
 - Light (with '-' sign showing on both hinges)
- Full Overlay
- 110 Degrees
- Dowels 



700 Series drills at 13.5 (17/32") cup depth

Code	Description	Net 50	300
C7R6AG9	110° Full Overlay Switch Hinge, Soft Close, w/ dowels	\$ 2.19	\$ 1.99

YouTube See videos at macmurraypacific.com/videos.html#salice

elemental led

SWITCHEX® Wall Mount Dimmer/Driver

House wires into wall box are 120V. Wires from dimmer/wall switch are low voltage - 12V for easy LED connections. That's it!

Three face plate colors included: white, light almond and brown (trim plate not included).



DI-12V-SE-60W

Code	Description	Net/ea
DI-12V-SE-60W	Switchex 60W Driver & Dimmer Switch, 12V DC	\$ 134

Blaze™ 12V Tape Lighting - 2.88 watts per foot

Featuring over 250 lumens per foot, BLAZE 12V LED Tape Lighting excels as either task or ambient lighting.

DI-12V-BL



- UL Listed field cuttable every inch
- Fully dimmable with Switchex Driver/Dimmer
- 3M™ adhesive backing

Code	Description	Net/roll
DI-12V-BL27-8016	16.4' Lights, 2700K (warm)	\$ 192
DI-12V-BL42-8016	16.4' Lights, 4200K (cool)	192

Aluminum Channels for Blaze LEDs

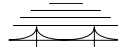
Chromapath® 48" Slim Design

Provide light diffusion and dustproof housing. Channels can be cut, or mounted end to end.

Channel covers and end caps also available - sold separately.



Code	Description	Net/ea
DI-CPCHA-SL48	Alum. Channel, 48" Slim	\$ 10



UNDERMOUNT WASTE CONTAINERS

53WC - Soft Close, Single & Double Containers



- Single & Double 35 & 50 Qt. Soft Close Waste Containers
- Full Extension Soft-Close slides - 90 lbs. capacity
- Door mount brackets included
- Removable Rear Basket on Single version
- Fast Bottom Mount install
- Order Frame, Bins and Lids Separately

Frame Dimensions

53WCF-117SC-48: 10-7/8" W x 22-1/4" D x 19" H
 53WCF-217SC-48: 14-3/8" W x 22-1/4" D x 19" H

Frames	Description	Net/ea
53WCF-117SC-48	Single Bin Frame	\$ 85.00
53WCF-217SC-48	Double Bin Frame	85.00

Bins	Description	Net/ea
RV-35-17-8	Silver 35 Qt. Bin	6.99
RV-50-17-8	Silver 50 Qt. Bin	13.85

Lids	Description	Net/ea
RV-35-LID-17	Silver 35 Qt. Lid	9.99
RV-50-LID-17	Silver 50 Qt. Lid	10.99

New SALICE Waste / Recycle Pull-Outs



- Easy to Install
- Bottom Mount, Soft Close
- Smooth Undermount Slides
- Door mount brackets improve stability: 15" vertical centers
- Bins equipped with handles to lift cans up
- Depth: 19-5/8", Height: 19-1/2"

Code	Description	Net/ea
QPAM12-1C	Single 35 Qt, 12"W Base pull-out	\$ 70
QPAM15-2C	Double 32 Qt, 15"W " "	89
QPAM21-2C	Double 35 Qt, 21"W " "	122

Premier Pull-Outs Door Mount - 5349 Series

5349-1550DM-1
 One 50 Quart Polymer Container, 10-3/4" W



5349-1527DM-2
 Two 27 Quart Polymer Containers, 11-11/16" W

5349-18DM-2
 Two 35 Quart, Polymer Containers, 14-13/16" W

5349-2150DM-2
 Two 50 quart, Polymer Containers, 14-13/16" W

Soft Close, 100 lb load.

Code	Width	Depth	Ht.	Net	2+
5349-1550DM-1	10-3/4"	21-15/16"	23-1/8"	\$ 158	\$ 147
5349-1527DM-2	11-11/16"	22-1/4"	18-15/16"	160	149
5349-18DM-2	14-13/16"	21-7/8"	19-1/4"	159	148
5349-2150DM-2	14-13/16"	22-1/8"	22-15/16"	171	160

Rev-A-Shelf



Rev-A-SHELF TOP MOUNT WASTE BINS



35 QUART - DOUBLE BIN

Width: 12/15", Depth: 22-3/4", Height: 17-7/8"

Two 35 quart white bins.

Code	Net	3+
4WCTM-15DM2	\$ 69	\$ 66
4WCTM-18DM2	70	67



35 QUART - DOUBLE BIN Soft Close

Width: 15", Depth: 22-3/4", Height: 17-7/8"

Comes with two 35 quart metallic/silver polymer bins.

Code	Net	3+
4WCTM-18BBSCDM2	\$ 92	\$ 87



**Drop
OUT**
CABINET
FIXTURES

8001 - Spice Rack Storage System



Unparalleled convenience at your fingertips!

Code Net
8001 \$ 540

The Dropout® Spice Rack/Storage System frees up traditional spice storage spaces, such as drawers and shelves, for other kitchen essentials.

- Four inches wide, it opens with a smooth outward and downward motion, bringing the spice rack down to you.
- Up to 36 standard-sized spice bottles to your fingertips, ready for use.
- Can be built into any style of cabinetry, versatile for most designs. It can also be used for other storage needs.

Min. Space Requirements: 4" W x 11-1/2" D x 37-1/2" H

TRA-STA ORGANIZERS



Pre-finished maple tray dividers slide in grooved, pre-drilled rails. Easily trimmable to fit any size cabinet.

Includes: 4 Finished Dividers, 23-3/4" x 23-3/4",
8 Drilled Rails, 3/4" x 24"

Code Description Net/st
TS2424 Tra-Sta Maple Organizers \$ 84



CHEF PANTRY
Made in Germany

12 Minute Install
Soft-Close Pantry

Full Depth: 22-3/4"
High Capacity: 23% more storage

Door adjusts:
Height, Side, Door Warp & Tilt



Chrome Plated Baskets



Maple Melamine base, silver powder coated baskets



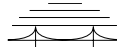
- 12 Minute Install
- Door adjusts for: Height, Side, Door Warp & Tilt
- Baskets Adjust in 2-1/2" steps
- Synchro-action : 265 lbs.
- Five widths : 9" - 20"
- Any height: 26" - 84"

	<u>Height</u>		<u>Height</u>
9037	25-1/2" - 37"	9067	57" - 67"
9047	37-1/2" - 47-1/4"	9076	67" - 76-3/4"
9057	47-1/4" - 57"	9091	74-3/4" - 84-1/2"

Specify Width and Basket type when ordering:
'C' for Chrome baskets or 'M' for Maple baskets
Example: 9076-11C.

	<u># of</u>		<u>8-7/8"</u>	<u>11-5/8"</u>	<u>14-3/8"</u>	<u>17-1/8"</u>	<u>19-7/8"</u>
Chrome	<u>Bskts</u>						
9037-	2	\$ 390	\$ 394	\$ 400	\$ 405	\$ 409	
9047-	4	391	400	412	419	430	
9057-	4	392	400	413	421	431	
9067-	4	404	414	424	432	442	
9076-	6	476	490	506	518	532	
9091-	6	480	494	510	522	536	

	<u># of</u>		<u>8-7/8"</u>	<u>11-5/8"</u>	<u>14-3/8"</u>	<u>17-1/8"</u>	<u>19-7/8"</u>
Maple	<u>Bskts</u>						
9037-	2	\$ 434	\$ 442	\$ 457	\$ 472	\$ 480	
9047-	4	482	497	526	555	569	
9057-	4	482	498	527	556	571	
9067-	4	494	512	538	567	583	
9076-	6	611	636	677	721	743	
9091-	6	615	639	681	725	746	



SENCO BRAD NAILER - SLP20XP



Net \$ 145

SLP20XP
 Height: 8-1/4"
 Length: 9-1/2"
 Lip Length: 3/4"
 Magazine Capacity: 110
 Operating Pressure:
 70-120 psi
 Mode of Operation:
 Restrictive Trigger
 Hose Fitting: 1/4" NPT

Use with AY10, AY11, AY13, AX13, AX15, AX17, AX18.
 Easy side loading allows you to change brad lengths without adjusting the tool. Lightweight 2.3 lbs for easy handling and maneuvering. Comfort grip handle and oil-free design.

SENCO STAPLE GUN - SKS-L

For cabinet/furniture assembly, door and window casings, trim and moldings.

Lightweight (2.3 lbs.). Comfort grip handle and oil free design.



SKS-L
Net \$ 289

Crown Width: 1/4", 7/8" to 1-1/2" lengths
 Capacity: 145-158 L12-L17 staples

FINISH PRO 23 MICRO PINNER
 23 gauge, 1/2 to 1-3/8"



FP23 Net \$ 159

An industrial headless pin nailer for intricate finish and trim work. Pins drive without splitting and require no touch up.

Automatically adjusts for different fastener lengths. Ergonomic handle. Ultra-narrow nose for tight corners.

GREX TOOLS

23 Gauge Headless Pinner

Code	Description	Net/ea
P635	3/8" - 1-3/8" Pinner	\$ 207
P650	3/8" - 2" Pinner	290



- Pins are set 1/16" below material surface
- Magazine automatically adjusts for pin size
- Magazine angled rear cut-off allows for placement into corners
- Narrow nose design for reaching into tight areas
- No-mar rubber tip protects surfaces (two included)
- Fastener indicator window shows when fasteners are low
- Rear exhaust w/ silencer
- Dual trigger safety system
- Quick access storage for no-mar tip and hex wrench
- Belt Hook • Lightweight - 2.2 lbs.

PORTER CABLE PCE

Laminate Trimmers, 1/4"

Includes base, 1/4" collet, edge guide.

PCE6430	PCE6435
4.6 lbs.	5.2 lbs.
Amps: 4.5	Amps: 5.6
31000 rpm	16000-35000 rpm



Code	Description	Net/ea
PCE6430	4.5 amp, 31000 rpm	\$ 112
PCE6435	5.6 amp, 16000-35000 rpm	140

DYNORBITAL-SPIRIT™
RANDOM ORBIT
AIR SANDER

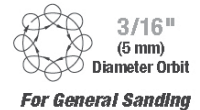
The Lightest Weight Random Orbital Sander at 1.4 lbs.

Two orbit patterns available



- Low profile design, only 3-1/2" high.
- New muffling system rated at 75 dB.
- One-piece speed control lever.
- Horsepower: .25

Code	Dia/Orbit	Net/ea
59020	5" / 3/16"	\$ 149
59035	5" / 3/32"	149
59025	6" / 3/16"	149
94300	Dynaswivel: air hose swivel	15





Lamello Zeta P2 for Biscuits and RTA fittings



WINTER PROMO
Purchase a Zeta P2 Tool, and receive an 80 pr. box of Clamex & Tenso for FREE!

Zeta P2
101402S

- Features Vertical Mechanical Drive (VMD) for a preset depth cut followed by a vertical movement profile cut. Allows for Clamex and Tenso connector system.
- Comes in a Systainer box and includes a carbide tipped profile groove cutter.

Code	Description	Net/ea
101402S	Zeta P2 for biscuits and fittings	\$ 1650

Clamex P-14

The Detachable, Eccentric Cam Connector slides into place--No Tools Required



145334 66 x 28 x 9.7mm

Slide Connectors into pre-cut slot, match up panels with built-in alignment tabs, lock cam lever by a turn of hex key.

Joins any miter angle without glue or screws to create RTA (ready to assemble) connections.

Tenso P-14

Glue Faster: Invisible Self-Clamping Glue Aid



145415
66 x 28 x 9.7mm

Clamex P-14 Cam Connectors

Code	Box	Net/bx
145334	80 pr	\$ 120
145346	300 pr	415

Tenso P-14 Self-clamping Glue Aid

Code	Box	Net/bx
145415	80 pr	\$ 80
145425	300 pr	240



See video at macmurraypacific.com/videos.html#lamello

FESTOOL
Dust Extractors

For non-hazardous dust

CT SYS

Portable and compact. Loaded with features:

- Full Unit HEPA
- Tool-triggered operation
- High-performance suction
- Systainer integration.



Self-contained hose and cord storage, onboard tools, manual and automatic function, shoulder strap, anti-static design, system integration, and low sound (67 dB(A)), the CT SYS is well-equipped and built for professional use.

CT SYS Includes:	Code	Price
	584174	\$ 375

- HEPA filter
- 1 Disposable filter bag (container/bag capacity: 1.2 gal / .9 gal)
- 1 antistatic suction hose, 1-1/16" x 9.8 ft.
- Convenient shoulder strap

FESTOOL
Tools & Accessories



Assorted Sandpaper



#574609
\$ 2,800 net

KA65 Edgebander
Straight, concave, convex inside / outside corners.
visit: edgebander.com

NORTON PSA DISCS

Series A275 No-fil Magnum. Premium Grit 5" and 6"



"Champagne" discs feature premium "white" Aluminum Oxide grit. Open coat on flexible, tough B-weight paper. 100 discs per roll.

Code	Dia	Net/Roll	6 Roll Asst.
N5-100,120,150,180,220,320-B	5"	\$ 34.16	\$ 32.46
N5-80B	5"	36.84	35.00



SEAL & STAIN™ PRE-STAIN/CLEAR STAIN BASE

Use before staining to reduce blotchy areas in soft woods. Apply by spray, brush or rag and remove excess by wiping with a cloth. Dry 15-30 minutes before applying any stain color. May also be added to any wiping stain to reduce color intensity.



<u>Code</u>	<u>Size</u>	<u>Net/ea</u>
M545-0107	116 oz.	\$ 43

MOHAWK POUR-N-WIPE™ FINISH

Polyurethane Finish

Use for finishing, refinishing and restoration. A satin sheen protects wood against alcohol and water staining. Very mar resistant.



- Wipes on easily
- Provides a tough, alcohol resistant polyurethane finish
- Apply with a cloth or by a 'squeegee' for large surfaces
- Pour-N-Wipe™ finish is self sealing.

<u>Code</u>	<u>Size</u>	<u>Net/ea</u>
M603-3017	1 Gallon	\$ 56

MOHAWK WHITE PRIMER SEALER FOR WOOD

Aerosol formula

New formula quickly covers in 2 coats and sands well.

Primer coat for use under colored lacquer enamels. Insures good adhesion for the final topcoat. Fast drying and easy sanding, for a smooth base. Excellent color strength.



<u>Code</u>	<u>Size</u>	<u>Net/ea</u>
M103-0447	13 oz. Aerosol	\$ 8.21

MOHAWK LACQUERS 25% Solids DuraCoat™ Lacquer

Features moisture resistance, good flexibility and mar resistance. Passes KCMA testing. Low VOC.



All 5 gallon pails.

<u>550 VOC Pre-Catalyzed</u>	<u>Finish</u>	<u>Sheen</u>	<u>1 pail</u>	<u>5</u>
M610-24808	Gloss	80	\$ 131	\$ 126
M610-24608	Semi-Gloss	60	131	126
M610-24408	Satin	40	131	126
M610-24208	Matte	20	131	126
M610-24108	Dead Flat	10	131	126
M610-6408	White Satin	40	159	154
M610-24008	Sealer	-	131	126
M610-8008	EZ Vinyl Sealer		120	115

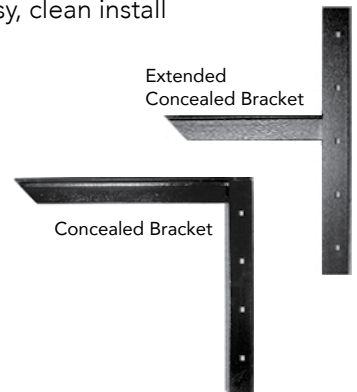
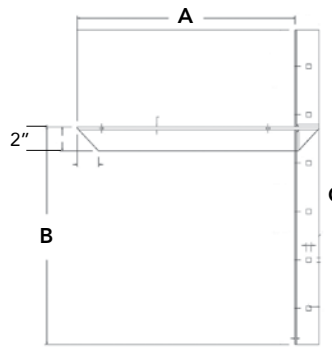
CONCEALED WORK STATION BRACKETS

Mount to stud for extra strength



This Island was made using Extended Concealed and Concealed brackets

- Steel Construction
- Load limit range of 1,800 to 4,500 lbs. per pair
- Mounting hardware included
- All welds on reverse for easy, clean install



<u>Code</u>	<u>A</u>	<u>B</u>	<u>C</u>	<u>Weight Cap / pr.</u>	<u>Net/ea</u>
C18-BL	18"	18"	-	2,060	\$ 22
C24-BL	24"	18"	-	1,800	25
EC-18BL	18"	18"	26"	4,500	29
EC-24BL	24"	18"	26"	2,320	32



SOFT CLOSE SIDE MOUNT BALL BEARING SLIDES



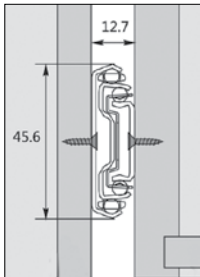
Enterprise

- 100 lbs. Load Capacity
- Soft Close, Soft Pull
- Full Extension
- 1/2" Side Space
- Ball Bearing
- Rear Bracket available
- Stocking 14" to 28" sizes



Soft Close

\$ 7.95 /pr 22"



4903-BRKT

10 pr/Ctn. Bulk, No screws

Code	Size	Net/10	Net/50
4903-14	14"	\$ 5.98/pr	\$ 5.64/pr
4903-16	16"	6.52	6.15
4903-18	18"	7.20	6.80
4903-20	20"	7.69	7.26
4903-22	22"	8.51	7.95
4903-BRKT	Rear Bracket	.48/ea	.46/ea

3M JET MELT ADHESIVE



Quadrack - 8" x 5/8"
3792-8



Mini - 2" x 5/8"
3792-8

Clear, high-performance, general purpose adhesive with a long open time and good delivery rate. Excellent adhesion to most plastics, glass and wood. Good resistance to shock at both 0°F and ambient temp.

Sold in Full Cases Only.

Code	Description	Case	Net/Case
3792-2	Mini, Clear	11 lbs.	\$ 191
3792-8	Quadr, Clear	11 lbs.	198

OLYMPUS LOCKS

Deadbolt Locks - Rekeyable



100DR - Commercial Cabinet Door Lock

National D4292 5 pin keyway. Solid brass cylinder; pin tumbler. In stock keyed alike or keyed different. Easily rekeyable. Includes bar strike (OL56-1).

- Material Thickness: 7/8"
- Dull Chrome (26D) finish

100DR
\$ 12.28



100-26D78-XXX

Keys: (4 pin): KD, 107, 915, (5 pin): G0001; 2, 3, 4, 5, 6, 7

200DW - Commercial Cabinet Drawer Lock

- Material Thickness: 7/8" or 1-3/8"
- Dull Chrome (26D) finish

200DW
\$ 12.28



200-26D78-XXX

7/8" material

200-26D138-XXX

1-3/8" material

Keys: KD, 107, 915, G0001; 2, 3, 4, 5, 6, 7, 8, 9

FULTERER 5001ECD Soft Close Slide

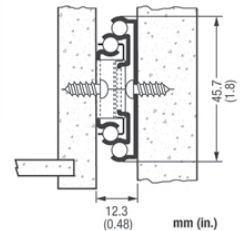
Full Extension, Load Capacity: 100 lbs.



22" - \$ 9.95



- Full extension, ball-bearing slide
- ECD mechanism provides impact absorbing soft-close feature
- Smooth & Quiet



12 - 28" In Stock

5000BMB
Bottom Mount
Bracket

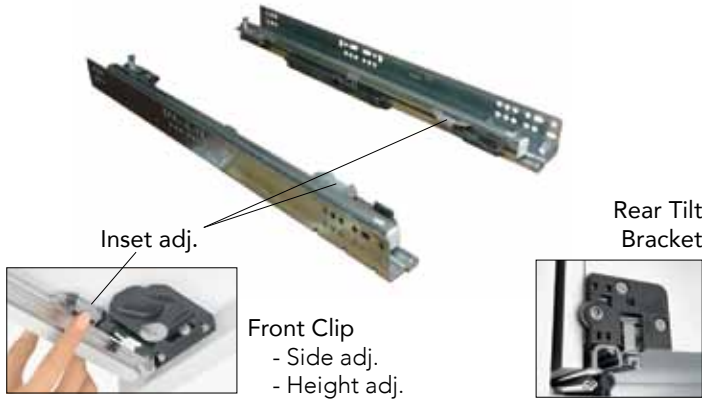


10 pr/Ctn. Bulk, No screws

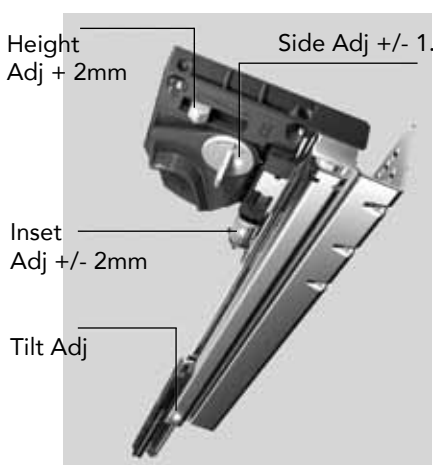
Code	Size	10 pr	50 pr
5001ECD-16	16"	\$ 10.15	\$ 9.15
5001ECD-18	18"	10.85	9.50
5001ECD-20	20"	11.15	9.75
5001ECD-22	22"	11.40	9.95
5000MET	Rear Bracket		.95/pr
5000BMB	Bottom Mount Bracket		.50/ea



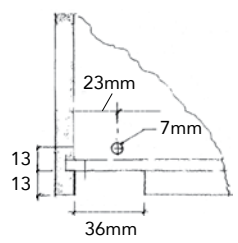
Hettich QUADRO 4D UNDERMOUNT
4-Way adjustment, Chrome steel bearings



- Load cap: 100 lbs. when mounted to case side
- Silent system: Easy open, soft quiet close
- Tool-less height, side, tilt (optional rear tilt bracket), and depth adjustment
- Uses #6-58FPDT screws (sold separately)



4D Adjustments
Face Frame Friendly



Code	Size	Ctn	Net/5 pr	20 pr
9181140-41	9"	10 pr.	\$ 17.50	\$ 16.50
9181142-43	12"	10	17.50	16.50
9181144-45	15"	10	17.50	16.50
9181146-47	18"	10	16.95	16.18
9181148-49	21"	10	16.95	16.18
9181150-51	24"	10	31.25	27.95

Code	Description	Ctn	Net
9218980	Front Fixing Clips (pr), includes spacer	10	1.79 /pr
9205924	Tilt Adjustment LH	100	.76 /ea
9205925	Tilt Adjustment RH	100	.76
9055093	Metal Rear Bracket	10	1.32 /st

Hettich QUADRO 2D UNDERMOUNT
2-Way adjustment, Steel bearings



Quadro 100 lb.
***Dynamic Load Cycles**



Less sag with all kitchen undermount drawers.

Full Extension
24" 21" 18" 15" 12" 9" 21" = \$ 10.99

Smooth soft close. WIC Approved at 100 lbs / 21". Elongated hole pattern allows setback adjustment.
100 lb. ANSI/BHMA Grade 1.
All Steel Bearings.



IW21 Code	Max Drawer Box Length	Min. Cab Depth	Net 5+	20
9048793	18"	18-7/8"	\$ 11.98	10.79
9048776	21"	21-7/8"	12.50	10.99
9026839	Clips (pr)			1.32/pr
9055093	Rear Metal Adj. Brackets			1.29/pr

*100 lb. Dynamic load is cycle tested to ANSI/BHMA Grade 1 spec at 21" size. Listed and acknowledged by WI: wicnet.org



Hettich Quadro - 14 Sizes
Euro Series IW20



Code	Drawer Size	Code	Drawer Size
904526700	11", 280mm	903971000	18", 450mm
904525100	12", 300mm	903968000	19", 480mm
904112900	13", 320mm	904114400	20", 500mm
903969700	14.2", 350mm	904537300	21", 520mm
903966400	15.4", 380mm	904538400	22", 550mm
904096700	16", 400mm	904540500	23", 580mm
903971700	17", 420mm	904541300	24", 600mm

100 lb Dynamic Load



Grass SOFT CLOSE SLIDE



- Soft-pull, soft-close
- **100 lb.** dynamic load
125 lbs. static
- Drawers up to **48" wide**
- Made in Austria; **Grass**
- **132 lb.** Heavy Duty Dynamic
- **Anti-racking**
 - Smooth and fluid movement
 - Progressive / syncro-motion - no pickup bump
 - Minimal side sway - great for wide drawers
 - No stabilizer bars needed

100 lb Dynamic



Side Adjustment

* Inset Adjustment



Rear Tilt Adjustment

100 lb. Dynamic Load - Height / Side Adjustment

Code	Description	Net 5 pr.	Net 20 pr.
DP-9	9" soft-close slide	\$ 21.90	\$ 20.95
DP-12	12"	17.50	16.50
DP-15	15"	17.50	16.50
DP-18	18"	16.95	15.95
DP-21	21"	16.95	15.95

100 lb. Dynamic Load - 3D: Height/Side/Tilt Adjustment

DP-9-3D	9" soft-close slide	22.97	21.69
DP-12-3D	12"	18.95	18.50
DP-15-3D	15"	18.95	18.50
DP-18-3D	18"	18.95	17.95
DP-21-3D	21"	18.95	17.95

132 lb. Dynamic Load - 3D: Height/Side/Tilt Adjustment

DP-18-HD	18" heavy duty slide	\$ 35.00	\$ 31.55
DP-21-HD	21"	35.00	33.37
DP-24-HD	24"	39.19	37.41
DP-27-HD	27"	48.78	46.51
DP-30-HD	30"	55.50	52.72

DP-CL/CR	Front Clips, Ht & Side	.95/ea.	.90
DP-CL/CR-3D	Rear Tilt Clips LH, RH	.58/ea.	.47
7950	Rear Metal Bracket	.78/ea.	.75
*DP-I	Inset Adjuster - Snaps on all DP slides	2.52/pr.	2.45

SALICE: Soft Close Undermount

New Smoother

Full Extension Slide **\$ 13.50/pr**

Face Frame Friendly:

Mounts on face frame or frameless 37mm. Mounts flat on cabinet floor.



75 lbs.

Standard Box Sizes 21", 18", 15", 12"

Packed: 6 pr/ctn.

Code	Drawer Length 1/2" or 5/8"	1 pr	12 pr	36+
A7555-12	12" 305 mm	\$ 15.25	\$ 14.75	\$ 14.60
A7555-15	15" 381 mm	15.25	15.09	14.95
A7555-18	18" 457 mm	15.25	14.75	13.50
A7555-21	21" 533 mm	15.45	14.45	13.50
*A6555-24	24" / 600mm	22.02	20.84	19.99

A710.610	Front Clips	\$.99/pr.
AGSKXC5	Back Bracket	.39/ea.

* Does not allow rear bracket

Pallet Special

240 Sets

A7555-21

\$ 12.50/Set

DRAWERS: Pre-Assembled & Machined for Quadro, Grass, Enterprise and Salice Slides.



Materials: Solid Maple, Melamine, Maple 9-ply prefinished and unfinished, 7-ply prefinished Maple, MDF and more.

Rush Service avail. in Bay Area.

Construction: Dovetail, Butt Joint or Dowelled.

Customer Specs: Boxes guaranteed to size within 1/32" width, 1/16" height and 1/8" depth. All dimensions are O.D.

Fax Orders to: 415-552-8577
 or email: orders@macmurraypacific.com



ROCKY MOUNTAIN
 HARDWARE
 HANDCRAFTED BRONZE HARDWARE



Rail Pull - Medium Bronze



BALDWIN

Quickship Program for Estates

Ships in 5 working days or less. See Quickship Catalog on our website: macmurraypacific.com/forms.html#Lit

Baldwin now offers a Quickship program for its Estates line. Choose from handlesets, pre-configured knobs and levers, keyed entry knobs and levers, deadbolts and high quality hinges - available in a variety of finishes. Handlesets available in both tubular and mortise functions.



TECTUS
 by SIMONSWERK

3-WAY ADJUSTABLE CONCEALED HINGES



TE-240-3D
 88 lbs/pr.

For 1.02" (26mm) Door Min.



TE-340-3D
 176 lbs/pr.

For 1-1/2" (38mm) Door Min.

TE-540-3D
 264 lbs/pr.

For 1-5/8" (40mm) Door Min.

Completely concealed for flush doors with wood, steel or aluminum frames. Opening angle up to 180°, non-handed.

Coated Finishes



F1 - Satin Chrome Look



F2 - Satin Nickel Look

Code	Dr Min	Finish	Net/ea
TE-240-3D-F1	1"	Satin Chrome Look	\$ 65
TE-240-3D-F2	1"	Satin Nickel Look	62
TE-340-3D-F1	1-1/2"	Satin Chrome Look	75
TE-340-3D-F2	1-1/2"	Satin Nickel Look	75
TE-540-3D-F1	1-5/8"	Satin Chrome Look	118
TE-540-3D-F2	1-5/8"	Satin Nickel Look	118

Other finishes available:

- Rustic Umber
- Matte Deep Black
- Stainless Steel Look
- Satin Nickel (Plated)

Luxe
 by ALNICO

High Gloss Custom Door & Drawer Fronts

Allow 5-7 Days

LUXE is an advanced decorative panel with a high gloss finish on one face, while the back is a matching decorative matte melamine in the same design.

- 3/4" MDF Core
- High Gloss Polyester Front / Matte Back
- Two Edgebanding options (solid and bi-color)
- Separate edgebanding & boards available

Download Luxe Order Form at
macmurraypacific.com/forms.html





EVERSTRONG CONTACT CEMENTS



These high performance industrial strength contact adhesives comply with CA VOC & OTC regulations. Water resistant & temp resistant, bonds decorative laminates and veneers, fiberglass, glass, fabrics and particle board.

No VOCs ES10 & ES80 CONTACT

- No VOCs, No ODS, No Haps, Flammable
- SCAQMD Rule 1168 & OTC Compliant
- LEED Compliant
- Fast Tack Bond
- High Temp resistance > 200° F.
- Pebble spray pattern
- Postformable
- Low Odor



Code	Description	Net/ea	36+
ES10-13C	13 oz. Spray Adh, Clear	\$ 6.45	\$ 6.25
ES80-13C	13 oz. Spray Adh, Clear (long open time)	6.45	6.25
ES10-CC	13 oz. Citrus Adh. Remover	6.45	6.25
ES10-27C/R	27 lb Canister, Clear or Red	\$ 239	
ES10-130C	130 lb Canister, Clear	959	
ES80-27C/R	27 lb Canister, Clear or Red (long open time)	254	
ES80-140C/R	140 lb Canister, Clear or Red	1119	

TITEBOND 3 ULTIMATE WOOD GLUE



Superior Strength (4000 PSI), long open time (10 min), Type I water resist, water clean-up and non-toxic.

Code	Size	Ctn	1 Ctn	3+
1416	1 Gal	2 ea	\$ 29	\$ 28
1417	5 Gal	1 ea	143	136

PRE-GLUED EDGEBOARDING

Genuine Wood Veneer

Genuine Wood veneer in **250' rolls**. Pre-glued. The resin impregnated backer helps reduce splitting, tearing and checking. Unfinished. .5mm.



Pack: 12 Rolls

Code	Width	Specie	Net/Roll
KO-RWO-1316	13/16"	Rift White Oak	\$ 31
KO-WBI-1316	"	White Birch	20
KO-RBI-1316	"	Red Birch	22
KO-WL-1316	"	Walnut	23
KO-CH-1316	"	Cherry	22
KO-MAA-1316	"	Mahogany	23
KO-WO-1316	"	White Oak	21
KO-RO-1316	"	Red Oak	20
KO-VFI-1316	"	Vertical Fir	23
KO-MP-1316	"	Maple	20
KO-ASH-1316	"	Ash	23
KO-RA-1316	"	Alder	22
KO-WBI-78	7/8"	White Birch	22
KO-RBI-78	"	Red Birch	22
KO-WL-78	"	Walnut	35
KO-CH-78	"	Cherry	25
KO-WO-78	"	White Oak	24
KO-RO-78	"	Red Oak	21
KO-MP-78	"	Maple	21
KO-RA-78	"	Alder	24

AUTOMATIC EDGEBOARDING

Genuine Wood Veneer

Fleece-backed, Automatic Edgebanding. 7/8" Width, 500' Rolls. Unfinished. .5mm.



Code	Description	Net/Roll
K6-CH-78	Cherry, 7/8", 500'	\$ 32
K6-MP-78	Maple , 7/8", 500'	31
K6-RA-78	Red Alder, 7/8", 500'	33
K6-RWO-78	Rift Wh. Oak, 7/8", 500'	48
K6-WL-78	Walnut, 7/8", 500'	35
K6-WO-78	White Oak, 7/8", 500'	35



December '16 - January '17 Specials

Order Desk (800) 244-1455 Fax (415) 552-5840
Email orders@macmurraypacific.com
On the Web www.macmurraypacific.com



SALICE

Pallet Special


A7555-21


\$ 12.50/Set

240 Sets



see details page 9.





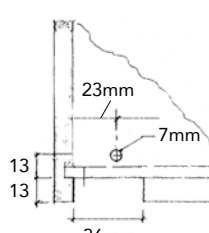
New

QUADRO 4D UNDERMOUNT

4-Way adjustment,
Chrome steel bearings

4D Adjustments

Face Frame Friendly



see details page 8.

Contents:

Abrasives: Norton, Festool	5
Adhesives: Everstrong, Titebond, 3M	11,7
Baldwin Estates QuickShip	10
Drawer Slides	7-9
DropOut Spice Rack System	3
Edgebanding	11
Elemental LED Lighting	1
Festool	5
Grass DynaPro Slides	9
Hettich Quadro Slides	8,12
Lamello Tools / Accessories	5
Luxe High Gloss Panels	10
Mohawk Finishing	6
Olympus Locks	7
Tra-Sta Tray Organizers	3
Rev-A-Shelf Products	2
Rocky Mountain	10
Salice Hinges	1
Salice Undermount Slides	9,12
Salice Waste/Recycle Pull-outs	2
Tectus Hinges by Simonswerk	10
Tools: Senco, PC, Grex, Dynabrade	4
Vauth Sagel Storage Systems	3
Work Station Concealed Brackets	6