



## Cabinet Hinges - 3-Way Adjustable Concealed



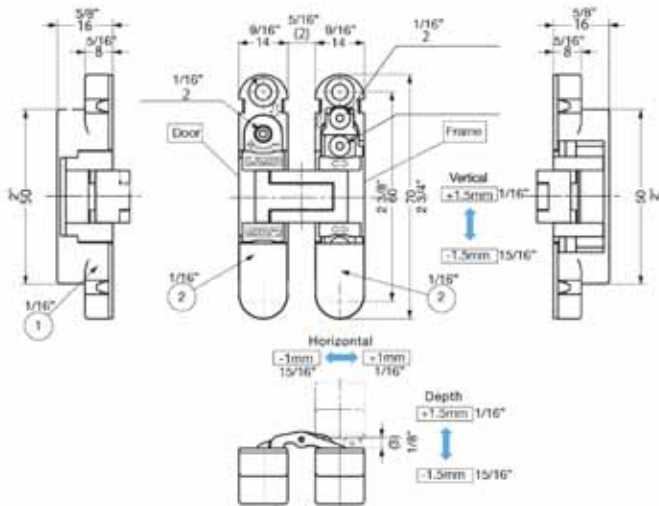
HES3D-70: for 19mm Thick Doors (3/4") min.



- 3-Way Adjustment:  
Horizontal: -1 ~ +1mm  
Vertical: -1.5 ~ +1.5mm  
Depth: -1.5 ~ +1.5mm
- Max Door Weight:  
20 lbs/ 2 hinges  
26.4 lbs/ 3 hinges

- Max Door Width: 600mm (23-5/8")
- Max Door Height: 1200mm (47-1/4")
- Min Door Thickness: 19mm (3/4")
- Cover hides all screw heads for clean appearance

### Dimensions



Code	Finish	Net/ea
HES3D-70-DC	Satin Chrome	\$ 23
HES3D-70-DN	Satin Nickel	23
HES3D-70-BL	Black	23

## SALICE WIND Lift System - Soft Close Kits



### Wind Mechanism Dimensions:

1.5" W x 7.95" D  
x 2.25" H



A compact adjustable lift system that takes up a minimum of valuable storage space. The color coded springs makes inventory control and selection easy to understand. Installation is as simple as boring a 35mm hinge cup hole.

Wind kit consists of a right and left mechanism, 2 door cups and a right and left mechanism housing. Wind cover kit (Gray) added automatically.

**Note:** The weight of the door must also be considered when selecting a lift system.

- Integrated Soft Close feature
- Spring Force adjustment, Soft Close adjustment
- Opening angle of 86 or 94 degrees
- Min door thickness: 5/8" (16mm)
- Max door thickness: 1-1/8" (28mm)
- Top overlay possibility: from 5/8" to 3/4" (16 - 20mm)
- Edge bore distance on the door: 3.0 to 7.0mm
- Supplied with an angle reduction clip installed, opening angle = 86°. Remove to achieve 94°
- Mechanism Adjustment:  
Depth: -1.0mm, +3.0mm  
Side: +2.0mm, -2.0mm  
Height: +2.0mm, -2.0mm

Code/ Color ID	Door Height Min/Max (inches)	Door Weight Min/Max (lbs)	Net/Set	3+
WIND-W ○ ○	8-5/8" / 15-3/4"	1.75 / 11.5	\$ 45	\$ 39
WIND-D ● ○	8-5/8" / 24"	4 / 17	47	41
WIND-I ● ●	12-9/16" / 24"	10.5 / 21	60	55
WIND-F ● ●	12-9/16" / 24"	18.5 / 32	63	57
WIND-S ● ●	12-9/16" / 24"	26 / 41	69	62
WIND-COVER			\$ 3.49	



Decorative Hardware  
from  
MacMurray Pacific



See video on Salice Wind Lift System at  
[macmurraypacific.com/videos.html#salice](http://macmurraypacific.com/videos.html#salice)



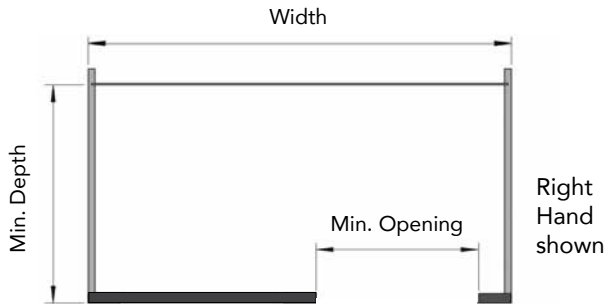
**SWING CORNER**

- Shelves pull out independently
- Height adjustable for overhead drawer
- Maple shelves with non-slip surfacing
- Brushed Nickel trim
- Load cap: 110 lbs. (55 lbs. per shelf)



Right Hand unit shown

- Minimum Installation Height: 20"
- Minimum Installation Depth: 21"



Code	Min Opening	Width	Net/ea
AS-R-15-3	16" RH	33-1/2"	\$ 236
AS-L-15-3	16" LH	33-1/2"	236
AS-R-18-3	19" RH	34-1/2"	246
AS-L-18-3	19" LH	34-1/2"	246
AS-R-21-3	22" RH	39-1/2"	257
AS-L-21-3	22" LH	39-1/2"	257



Aluminum Frame  
Glass Doors

**MacMurray Pacific**

AF Series - Natural Aluminum Finish  
AF-S Series - Brushed Stainless Steel Look Finish



- Doors ship fully assembled
- Quick Delivery
- 11 profiles
- Made in USA



**CHEF PANTRY**  
Made in Germany

**12 Minute Install**  
**Soft-Close Pantry**

**Full Depth: 22-3/4"**  
**High Capacity: 23% more storage**

**Door adjusts:**  
Height, Side, Door Warp & Tilt



Chrome Plated Baskets



Maple Melamine base, silver powder coated baskets



- 12 Minute Install
- Door adjusts for: Height, Side, Door Warp & Tilt
- Baskets Adjust in 2-1/2" steps
- Synchro-action : 265 lbs.
- Five widths : 9" - 20"
- Any height: 26" - 84"

	Height	Height
9037	25-1/2" - 37"	9067 57" - 67"
9047	37-1/2" - 47-1/4"	9076 67" - 76-3/4"
9057	47-1/4" - 57"	9091 74-3/4" - 84-1/2"

**Specify Width and Basket type when ordering:**  
**'C' for Chrome baskets or 'M' for Maple baskets**

Example: 9076-11C.

	# of Bskts	8-7/8"	11-5/8"	14-3/8"	17-1/8"	19-7/8"
9037-	2	\$ 390	\$ 394	\$ 400	\$ 405	\$ 409
9047-	4	391	400	412	419	430
9057-	4	392	400	413	421	431
9067-	4	404	414	424	432	442
9076-	6	476	490	506	518	532
9091-	6	480	494	510	522	536

	# of Bskts	8-7/8"	11-5/8"	14-3/8"	17-1/8"	19-7/8"
9037-	2	\$ 434	\$ 442	\$ 457	\$ 472	\$ 480
9047-	4	482	497	526	555	569
9057-	4	482	498	527	556	571
9067-	4	494	512	538	567	583
9076-	6	611	636	677	721	743
9091-	6	615	639	681	725	746

## KNIFE/UTENSIL BASE ORGANIZER

with Soft Close Undermount Slides



448KB-BCSC-11C

- Features 2 universal knife inserts
- 8C includes one 5-1/4" x 6-7/8" stainless steel bin, 11C includes two 5-1/4" x 6-7/8" bins and two 5" x 5-7/8" stainless steel bins
- Easy to clean

- Includes door mount brackets & adjustable rub bushings
- Adjustable rear wall for extra strength and stability
- Knife inserts feature movable flex rods that adjust to hold a multitude of knives

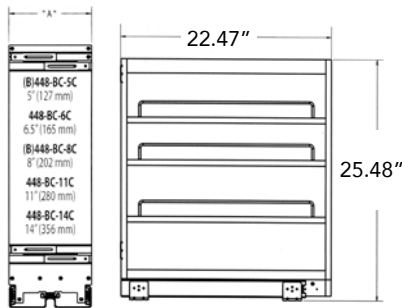
Code	Min. Opening	Net/ea
448KB-BCSC-8C	9"W x 21-3/4"D x 25-3/4"H	\$ 255
448KB-BCSC-11C	12"W x 21-3/4"D x 25-3/4"H	295

## REV-A-SHELF PULL-OUT BASE ORGANIZER



448-BC-8C

- 7 Sizes
- Adjustable Shelves



- Micro door adjustment

Pull-out Base Organizer contains: 3-tier pull-out, chrome side rails and full extension "tri-slides" for complete stability and easy installation.

Code	Dimensions	Net/ea	3+
448-BC-5C	5.5"W x 25-1/2"H x 22-1/2"D	\$ 69	\$ 64
448-BC-6C	6.5"W x 25-1/2"H x 22-1/2"D	91	89
448-BC-8C	8"W x 25-1/2"H x 22-1/2"D	79	76
448-BC-11C	11"W x 25-1/2"H x 22-1/2"D	159	152

Soft Close Blum	Min Opening		2+
448-BCSC-5C	6"W x 25-3/4"H x 22-3/4"D	\$ 123	118
448-BCSC-6C	7"W x 25-3/4"H x 22-3/4"D	144	137
448-BCSC-8C	9"W x 25-3/4"H x 22-3/4"D	144	139
448-BCSC-9C	10"W x 25-3/4"H x 22-3/4"D	171	169
448-BCSC-11C	12"W x 25-3/4"H x 22-3/4"D	176	171

## UNDERMOUNT WASTE CONTAINERS



53WC - Soft Close, Single & Double Bins



50 Qt. size shown

- Single & Double 35 & 50 Qt. Soft Close Waste Containers
- Full Extension Soft-Close slides - 90 lbs. capacity
- Door mount brackets included
- Removable Rear Basket on Single version
- Fast Bottom Mount install
- Order Frame, Bins and Lids Separately

### Frame Dimensions

53WCF-117SC-48:	10-7/8" W x 22-1/4" D x 19" H
53WCF-217SC-48:	14-3/8" W x 22-1/4" D x 19" H

Frames	Description	Net/ea
53WCF-117SC-48	Single Bin Frame	\$ 85.00
53WCF-217SC-48	Double Bin Frame	85.00

### Bins

RV-35-17-8	Silver 35 Qt. Bin	\$ 6.99
RV-50-17-8	Silver 50 Qt. Bin	13.85

### Lids

RV-35-LID-17	Silver 35 Qt. Lid	\$ 9.99
RV-50-LID-17	Silver 50 Qt. Lid	10.99

**New** 53WC Frame and Two 27 Qt. Silver Bin Set

53WC-1527SCDM-217	11-1/4"W x 22-1/8"D x 19"H	\$ 96
-------------------	----------------------------	-------

## TWO SHELF

**BLIND CORNER OPTIMIZER** 5PSP CR Series - Chrome



5PSP15-CR unit fully extended

**Non-handed!**



15" (15-CR), 18" (18-CR)  
Min Cab Width Opening  
20-1/4" Min Inside Cab Depth  
21" Min Cab Height Opening

Code	Min Opening	Net/1	Net/2+
5PSP15-CR	15" W x 21" Ht	\$ 225	\$ 212
5PSP18-CR	18" W x 21" Ht	252	241
<b>Soft-Close</b>			
5PSP15SC-CR	15" W x 21" Ht	275	265
5PSP18SC-CR	18" W x 21" Ht	312	297

**TITEBOND WOOD GLUE**

**Titebond I Original:** Yellow PVA glue. Allows about 5 minutes to set up at 70° F. Twice as strong as white glue. Made by Franklin.



Code	Description	Net/2 ea
506-6	Titebond I, 1 gallon	\$ 17.32
506-7	Titebond I, 5 gallons	84.40

**Titebond II:** Type II water resistance. High water and heat resistance. Solvent-free, non-toxic, paintable, water clean-up.

500-6	Titebond II, 1 gallon	\$ 20.76
500-7	Titebond II, 5 gallons	99.63

**NORTON PSA DISCS**

Series A275 No-fil Magnum Premium Grit, 5" and 6" discs



**"Champagne"** discs feature premium "white" Aluminum Oxide grit. Open coat on flexible, tough B-weight paper. 100 discs per roll.

Code	Dia.	Net/RI	6 Roll Asst.
N5-100B, 120B, 150B, 180B, 220B, 320B	5"	\$ 34.16	<b>\$ 32.46</b>
N5-80B	5"	36.84	35.00
N6-100B, 120B, 150B, 180B, 220B, 320B	6"	50.00	48.00
N6-80B	6"	54.00	52.00

**NORTON WIDE BELTS** R216 Series - 2/Ctn

- Antistatic
- Made in USA
- Heavy Y-wt. cloth
- Heat-treated Alum. oxide grit



Aluminum oxide grit is open coated and resin bonded on Y-weight cotton cloth belts. **Black in Color**

**"Plyweld" butt joints are smooth and reliable.**

Size	Net/Grit		Net/Grit	
	100, 120, 150, 180	6+	60, 80	6+
N3760	\$ 57.50 /ea.	\$ 53.00	\$ 59.99	\$ 57.00
N3775	63.00	60.25	69.00	67.00
N4360	82.00	78.00	68.00	65.00
N4375	74.82	71.07	68.00	66.67
N5275	90.00	86.00	97.00	93.00

**OLYMPUS LOCKS** Rekeyable



N Series National keyway. Solid brass cylinder; pin tumbler. Keyed alike or keyed different. Easily rekeyable. Includes bar strike (OL56-1).

**100DR - Commercial Cabinet Door Lock**  
Material thickness: 7/8". Dull Chrome (26D) finish.



100-26D78-XXX  
Keys: (4 pin): KD, 107, 915,  
(5 pin): G0001; 2, 3, 4, 5, 6, 7

100DR  
**\$ 12.28**

**200DW - Commercial Cabinet Drawer Lock**  
Material thickness: 7/8" or 1-3/8".  
Dull Chrome (26D) finish.



200-26D78-XXX 7/8" material  
200-26D138-XXX 1-3/8" material  
Keys: KD, 107, 915, G0001; 2, 3, 4, 5, 6, 7, 8, 9

200DW  
**\$ 12.28**

**elemental led SWITCHEX® Wall Mount Dimmer/Driver**

House wires into wall box are 120V. Wires from dimmer/wall switch are low voltage - 12V for easy LED connections.

Three face plate colors included: white, light almond and brown (trim plate not included).



DI-12V-SE-60W

Code	Description	Net/ea
DI-12V-SE-60W	Switchex 60W Driver & Dimmer Switch, 12V DC	\$ 134

**Blaze™ 12V Tape Lighting - 2.88 watts per foot**

Featuring over 250 lumens per foot, BLAZE 12V LED Tape Lighting excels as either task or ambient lighting.



DI-12V-BL



- UL Listed field cuttable every inch
- Fully dimmable with Switchex Driver/Dimmer

Code	Description	Net
DI-12V-BL27-8016	16.4' Lights, 2700K (warm)	\$ 192 /rl
DI-12V-BL42-8016	16.4' Lights, 4200K (cool)	192
DI-CPCHA-SL48	Alum. Channel, 48" Slim	10/ea

### MIRKA 5" SANDING DISCS

PSA (Stick On), No Holes

Mirka "Bull Dog Gold" Finishing Discs offer a sharp, durable aluminum oxide abrasive grain. C-wt. backing is 50% stronger than A-wt. No Holes. 5". 100 discs per box. Sold in full boxes only.



Code	Grits	Net/bx
23-388-80	80	\$ 28.52
23-388-100 - 320	100-320	19.43

### MIRKA GOLD HOOK & LOOP 5" SANDING DISCS FOR VACUUM SYSTEMS



#### Discs for Bosch 3283 Orbital Sander: 8 hole

5" Gold Hook & Loop Sanding Discs. With 8-hole Vac. 50 discs per box. Sold in full boxes only.

Code	Grits	Net/bx
23-615-60 - 80	80	\$ 17.25
23-615-100 - 320	100-320	15.25

#### Discs for Porter Cable 333 Orbital Sander: 5 hole

5" Gold Hook & Loop Sanding Discs. With 5-hole Vac. 50 discs per box. Sold in full boxes only.

Code	Grits	Net/bx
23-614-60 - 80	80	\$ 17.25
23-614-100 - 220	100-320	15.25

### SHRINK WRAP FILM TAPE

Film tape has no residue; secures and protects. Each full case includes one free dispenser handle.



Code	Size	Ctn	Net/Roll
Q3120	3" W x 700' L	18	\$ 3.79
Q380	3" W x 1000' L	18	3.79
HF1781800-00	18" W x 1500' L	4	18.10



Now includes heavy duty built-in cardboard handle on each roll.



Code	Size	Ctn	Net/RI
Q3120D	3"x 700' L	18	\$ 3.39
Q380D	3"x 1000' L	18	3.39

## FESTOOL ETS 125 REQ + RANDOM ORBITAL SANDER



Compact finish sander



Code  
574993

Hot Price  
\$ 195

Power.....**250 watts**  
Pad Size.....5"  
Speed..... 6000-12000 opm  
Sanding stroke..... 5/64" (2mm)  
Weight.....2.65 lbs.

Perform near-flawless finishes with the new ETS 125 REQ random orbit sander. Equipped with a powerful 250 watt motor that provides smooth performance and solid results with a 5/64" (2.0 mm) sanding stroke. Reduce fatigue through improved ergonomics with a rubberized grip and over-sized power switch.

Granat and Rubim sandpaper available.



**Includes:** StickFix Soft Sander Backing Pad, Festool PROTECTOR, longlife dust bag and inSYSTAINER SYS 2 T-LOC.

## Amana Tool® ROUTER BITS

### Straight Plunge Cutting Bits

1/2" Shank - 2 Flute



Tool No	Cutting Dia.	Cutting Length	Shank Dia.	Overall Length	Net
45422	1/2	1-1/2	1/2	3-1/8	\$ 14.92

### Flush Trim Bits



2 Flute  
47092, 47104



2 Flute No File  
47150

Tool No	Cutting Dia.	Cutting Length	Shank Dia.	Overall Length	Net
47092	1/4	1	1/4	2-1/2	\$ 20.95
47104	1/2	1	1/4	2-5/8	13.86
47150	1/2	3/8	1/4	1-7/8	23.75



**AirSHIM - Reusable**  
Inflatable Pry Bar & Leveling Tool



Lift, shift, align, level & plumb. Contractor Grade inflatable air wedge used for cabinets, doors, appliances, beams, equipment, furniture, HVAC, plumbing, joists, countertops, mantels, bathroom fixtures, windows and more. Replace your pry bars, wooden shims and other lifting or adjusting tools. Helps a single user do the work of two people, saving time and labor costs.

- **Rounded Corner and Internal Stiffener** gets into tight 3/32" gaps and won't fold under pressure; durable, no-scuff cover leaves no marks
- **Easy, One-Handed Operation** lets you raise and lower to perfect alignments using simple squeeze pump and precise bleeder valve
- **Wide Gap Spanning Capacity** gives you greater lifting or pushing range and more versatility on the job or around the house

**#1192 AirSHIM - 300 lb Load Rating, Pack of 2**

- 300 lb Load Rating
- Wide 2-1/2" Gap Spanning Capacity

Size: Bag is 6" x 6-1/2" on sides; approximately 3/32" high when deflated, 2-1/2" when fully inflated



1192 - AirShim Set of Two

**#1194 AirSHIM Pro XL - 500 lb Load Rating, Single unit**

- 500 lb Load Rating
- 5-1/4" x 10-3/4" lifting surface limits folding, especially around narrow-edge loads
- Wide 3" Gap Spanning Capacity

Size: Bag is 5-1/4" x 10-3/4" on sides; approximately 3/32" high when deflated, 3" when fully inflated



1194 - AirShim Pro XL

Code	Description	Net
1192	Set of 2 AirShims, 300 lb	\$ 33.90/st
1194	1 AirShim Pro XL, 500 lb	\$ 22.95/ea

**Valguard Conversion Varnish**

Valguard Conversion Varnish has superior durability and UV protection. Ideal for kitchen and bath cabinets, tables and architectural millwork. Supplied ready to spray (after catalyzation).



- Surpasses all KCMA standards
- Fast drying: 30-45 min at 78°, 50 RH
- Outstanding flow and leveling
- Superior UV resistance

**Conversion Varnish Clear 550 VOC:**

Code	Description	Sheen	Gal size
5509-1	Gloss	90	1
5509-5	Gloss	90	5
5506-1	Semi-Gloss	60	1
5506-5	Semi-Gloss	60	5
5504-1	Soft Gloss	40	1
5504-5	Soft Gloss	40	5
5502-1	Satin	20	1
5502-5	Satin	20	5
5501-1	Matte	10	1
5501-5	Matte	10	5
4000.4000	Catalyst (4 oz per gal)		1

**Conversion Varnish Clear 275 VOC:**

Code	Description	Sheen	Gal size
4726-1	Semi-Gloss	60	1
4726-5	Semi-Gloss	60	5
4724-5	Soft Gloss	40	5
4722-1	Satin	20	1
4722-5	Satin	20	5
4000.4000	Catalyst (3 oz per gal)		1
2850-5	Vinyl Sealer		5

6-8 hour pot life @ 77F.

**In Stock - Call for pricing**



**New ES10 +**

Longer Open Time  
Better Spray pattern  
2017 CA VOC Compliant

**ES10 & ES80 CONTACT**

- No VOCs, No ODS, No Haps, Flammable
- SCAQMD Rule 1168 & OTC Compliant
- LEED Compliant
- Fast Tack Bond
- High Temp resistance > 200° F.
- Pebble spray pattern
- Postformable
- Low Odor



ES10P-13C

ES10-130C  
Clear  
ES80-140  
Clear/Red

ES10-27  
Clear/Red  
ES80-27  
Clear/Red



\*gun and hose sold separately

Code	Description	Net/ea	36+
ES10P-13C*	13 oz. 2017 Spray Adh, Cl.	6.95	<b>6.50</b>
ES10-CC	13 oz. Citrus Adh. Remover	6.45	<b>6.25</b>
ES10-05C	5 Gallon Pail, Bulk Clear	\$ 163	
ES10-05R	5 Gallon Pail, Bulk Red	163	
ES10-050R	52 Gallon Drum, Bulk Red	1499	
ES10-27C/R	27 lb Canister, Clear or Red	\$ 239	
ES10-130C	130 lb Canister, Clear	959	
ES80-27C/R	27 lb Canister, Clear or Red (long open time)	254	
ES80-140C/R	140 lb Canister, Clear or Red	1119	

\* Meets new 2017 CA regs. for small cans.  
Plus - improved spray tip, and longer open time.



**EVERSTRONG CONTACT CEMENTS**



These high performance industrial strength contact adhesives comply with CA VOC & OTC regulations. Water resistant & temp resistant, bonds decorative laminates and veneers, fiberglass, glass, fabrics and particle board.

**MOHAWK LACQUERS 25% Solids DuraCoat™ Lacquer**

Features moisture resistance, good flexibility and mar resistance. Passes KCMA testing. Low VOC.



All 5 gallon pails.

550 VOC Pre-Catalyzed	Finish	Sheen	1 pail	5
M610-24808	Gloss	80	\$ 131	\$ 126
M610-24608	Semi-Gloss	60	131	126
M610-24408	Satin	40	131	126
M610-24208	Matte	20	131	126
M610-24108	Dead Flat	10	131	126
M610-6408	White Satin	40	159	154
M610-24008	Sealer	-	131	126
M610-8008	EZ Vinyl Sealer		120	115

275 VOC Post-Catalyzed	Finish	Sheen	1 pail	5
M612-34608	Semi-Gloss	60	125	<b>120</b>
M612-34408	Satin	40	125	<b>120</b>
M612-34208	Matte	20	125	<b>120</b>
M612-34108	Dead Flat	10	125	<b>120</b>
M612-36408	White Satin	40	145	140
M612-34008	Sealer		125	120
M612-8008	EZ Vinyl Sealer		125	120
M612-3015	Catalyst 16 oz per 5 gal.		6.41	

**FULTERER 5001ECD Soft Close Slide**

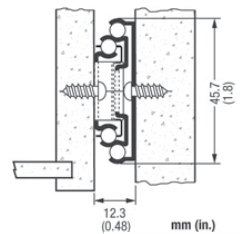
Full Extension, Load Capacity: 100 lbs.



**22" - \$ 9.95**



- Full extension, ball-bearing slide
- ECD mechanism provides impact absorbing soft-close feature
- Smooth & Quiet



**12 - 28" In Stock**

5000BMB Bottom Mount Bracket



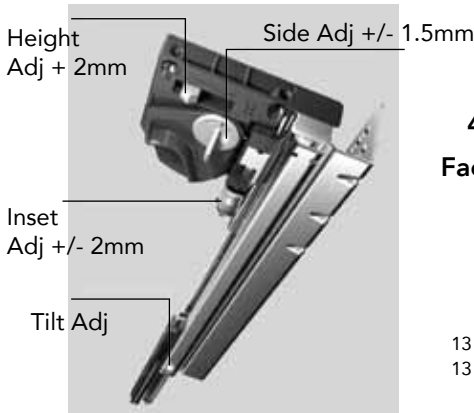
10 pr/Ctn. Bulk, No screws

Code	Size	10 pr	50 pr
5001ECD-16	16"	\$ 10.15	\$ 9.15
5001ECD-18	18"	10.85	9.50
5001ECD-20	20"	11.15	9.75
5001ECD-22	<b>22"</b>	11.40	<b>9.95</b>
5000MET	Rear Bracket		.95/pr
5000BMB	Bottom Mount Bracket		.50/ea

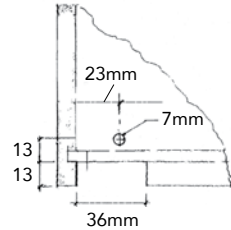


**QUADRO 4D UNDERMOUNT**

4-Way adjustment, Chrome steel bearings



**4D Adjustments  
Face Frame Friendly**



- Load cap: 100 lbs. when mounted to case side
- Silent system: Easy open, soft quiet close
- Tool-less **height, side & depth** adjust.
- Optional rear **tilt**.

Rear Tilt Bracket



Code	Size	Ctn	Net/5 pr	20 pr
9181140-41	9"	10 pr.	\$ 17.50	\$ 16.50
9181142-43	12"	10	17.50	16.50
9181144-45	15"	10	17.50	16.50
9181146-47	18"	10	16.95	16.18
9181148-49	21"	10	16.95	<b>16.18</b>
9181150-51	24"	10	31.25	27.95

Code	Description	Ctn	Net
9218980	Front Fixing <b>Clips</b> (pr), includes spacer	10	1.79 /pr
9205924 /25	<b>Tilt</b> Adjustment LH/RH	100	.76 /ea
9055093	Metal Rear Bracket	10	1.32 /st



See video at [MacMurrayPacific.com/videos#hettich](http://MacMurrayPacific.com/videos#hettich)



**4D Euro Series IW20  
Quadro - 14 Sizes**



Code	Drawer Size	Code	Drawer Size
9181186-87	11", 280mm	9181200-01	<b>18"</b> , 450mm
9181188-89	<b>12"</b> , 300mm	9181202-03	19", 480mm
9181190-91	13", 320mm	9181204-05	<b>20"</b> , 500mm
9181192-93	<b>14.2"</b> , 350mm	9181206-07	21", 520mm
9181194-95	15.4", 380mm	9181208-09	<b>22"</b> , 550mm
9181196-97	<b>16"</b> , 400mm	9181210-11	23", 580mm
9181198-99	17", 420mm	9181212-13	<b>24"</b> , 600mm

Uses 4D Clips shown above

**SALICE: Soft Close Undermount**

**New Smoother**

Full Extension Slide **\$ 13.50/pr**

**Face Frame Friendly:**

Mounts on face frame or frameless 37mm. Mounts flat on cabinet floor.



75 lbs.

**Standard Box Sizes 21", 18", 15", 12"**

Packed: 6 pr/ctn.

Code	Drawer Length	1 pr	12 pr	36+
A7555-12	12" 305 mm	\$ 15.25	\$ 14.75	\$ 14.60
A7555-15	15" 381 mm	15.25	15.09	14.95
A7555-18	18" 457 mm	15.25	14.75	13.50
A7555-21	21" 533 mm	15.45	<b>14.45</b>	<b>13.50</b>
*A6555-24	<b>24" / 600mm</b>	22.02	20.84	19.99
A710.610	Front Clips			\$.99/pr.
A750.010	<b>6-Way</b> Adj. Ht/Side/ <b>Inset</b> Clips			2.89/pr.
AGSKXC5	Back Bracket			.39/ea.

\* Does not allow rear bracket



**QUADRO 2D UNDERMOUNT**

2-Way adjustment, Steel bearings

**Quadro 100 lb.**

\*Dynamic Load Cycles

**\$ 10.99 /pr.**

**Full Extension**

**24" 21" 18" 15" 12" 9"**



Adjustable mounting

Smooth soft close. WIC Approved at 100 lbs / 21".  
Elongated hole pattern allows setback adjustment.  
100 lb. ANSI/BHMA Grade 1.  
All Steel Bearings.



100 lbs.

5 pr/ Ctn.

IW21 Code	Max Drawer Box Length	Min. Cab Depth	Net 5+	20
9048793	18"	18-7/8"	\$ 11.98	10.79
9048776	<b>21"</b>	21-7/8"	<b>12.50</b>	<b>10.99</b>
9026839		Front Clips, 5/8" and 1/2"	\$ 1.32/pr	
9140416		Front Clips, <b>1/2"</b> mat. only	<b>.74</b>	
9055093		Rear Metal Adj. Brackets	1.29	



## \*GRASS SOFT CLOSE SLIDE 100 lb Dynamic



Side Adjustment

\* Inset Adjustment



Rear Tilt Adjustment

- Soft-pull, soft-close
- **100 lb.** dynamic load  
125 lbs. static
- Drawers up to **48" wide**
- Made in Austria; **Grass**
- **132 lb.** Heavy Duty Dynamic
- **Anti-racking**
  - Smooth and fluid movement
  - Progressive / syncro-motion - no pickup bump
  - Minimal side sway - great for wide drawers
  - No stabilizer bars needed

### 100 lb. Dynamic Load - Height / Side Adjustment

Code	Description	Net 5 pr.	Net 20 pr.
DP-9	9" soft-close slide	\$ 21.90	\$ 20.99
DP-12	12"	17.50	16.50
DP-15	15"	17.50	16.50
DP-18	18"	16.95	15.99
DP-21	21"	16.95	<b>15.99</b>

### 100 lb. Dynamic Load - 3D: Height/Side/Tilt Adjustment

DP-9-3D	9" soft-close slide	23.59	22.95
DP-12-3D	12"	18.95	18.50
DP-15-3D	15"	18.95	18.58
DP-18-3D	18"	18.95	17.95
DP-21-3D	21"	18.95	17.95

### 132 lb. Dynamic Load - 3D: Height/Side/Tilt Adjustment

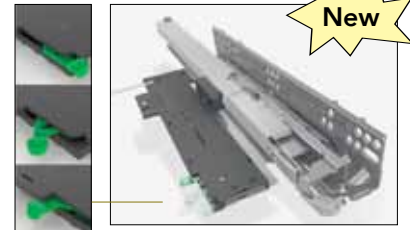
DP-18-HD	18" heavy duty slide	\$ 35.00	\$ 32.52
DP-21-HD	21"	35.00	33.37
DP-24-HD	24"	39.19	38.41
DP-27-HD	<b>27"</b>	48.78	47.39
DP-30-HD	<b>30"</b>	55.50	53.92

DP-CL/CR	Front Clips, Ht & Side	.95/ea.	.91
DP-CL/CR-3D	Rear Tilt Clips LH, RH	.58/ea.	.49
7950	Rear Metal Bracket	.78/ea.	.75
*DP-I	Inset Adjuster - Snaps on all DP slides	2.52/pr.	2.45

## DYNAPRO PUSH TO OPEN / SOFT CLOSE SETS

New Tipmatic sets for 5/8", 1/2" and 3/4" material

- Combines Tipmatic function with Soft-Closing
- **One kit adjusts for all weight classes: 0 to 132 lbs.**
- Compatible with 2D, 3D & HD DynaPro slides, 12" to 30" \*



3 step adjustment opening force

- Wide activation zone due to synchronization bar - push anywhere on the drawer front
- Tool-free assembly
- No new notching required
- Compatible with all DynaPro front locking devices

\*Note that this unit does not work with 9" slides.



DP-TIPSC Unit and Activator



DP-ROD synchronization bar

Order Tipmatic sets and synchronization bars separately.

Code	Description	Ctn	Net
DP-TIPSC	Tipmatic unit & activator	10	\$ 41.00/st
DP-ROD	Synchronization bar - cut to length, 37-1/2"	10	5.31 /ea

## SOFT-CLOSE Undermount : Enterprise CS2

Concealed Full Extension Slide

**\$ 8.95**



BS8-1

### Face-Frame Friendly:

- Clips adjust to 1/2" or 5/8" side
- Full Extension, Soft-Close
- Max Load: 75 lb class
- Positive lock height adj.
- Rear bracket available

Packed: 6 pr/ctn.

Code	Drawer Length 1/2" or 5/8"	Depth w/ rear bracket	Net/pr.	12
CS2-12	12" 305 mm	340 - 360	\$ 9.85	\$ 8.95
CS2-15	15" 381 mm	416 - 436	9.85	8.95
CS2-18	18" 459 mm	494 - 514	9.95	8.95
CS2-21	21" 533 mm	568 - 588	10.89	8.95
BS8-1	Clips - Plastic Gray		1.05	.99
RMB	Rear Brackets, Steel		.29	.27



**ROCKY MOUNTAIN®**  
H A R D W A R E  
HANDCRAFTED BRONZE HARDWARE



door  
hinges  
grips  
window  
tile  
sinks  
cabinet  
custom  
faucets



**BALDWIN**

**Quickship Program for Estates**

Ships in 5 working days or less. See Quickship Catalog on our website: [macmurraypacific.com/forms.html#Lit](http://macmurraypacific.com/forms.html#Lit)

Baldwin now offers a Quickship program for its Estates line. Choose from handlesets, pre-configured knobs and levers, keyed entry knobs and levers, deadbolts and high quality hinges - available in a variety of finishes. Handlesets available in both tubular and mortise functions.



**idh SOLID BRASS HARDWARE**

**BAR SASH LIFT**



Pack: 10 ea/ctn.

Code	Size	C/C	Finish	Net/ea
25042-003	4"	3-1/2"	Pol. Brass	\$ 4.00
25042-10B	4"	3-1/2"	Oil R. Bronze	4.37
25042-026	4"	3-1/2"	Pol. Chrome	4.37
25042-015	4"	3-1/2"	Sat. Nickel	4.37

**HOOK SASH LIFT**



Pack: 10 ea/box w/ screws

Code	Width	Proj.	Finish	Net/ea
21066-003	1-5/8"	3/4"	Pol. Brass	\$ 3.31
21066-10B	1-5/8"	3/4"	Oil R. Bronze	3.97
21066-026	1-5/8"	3/4"	Pol. Chrome	3.97
21066-015	1-5/8"	3/4"	Sat. Nickel	3.97

**NON-MORTISE CABINET HINGES**

2.5" L x 1.5" W

Overall Height: 3-1/8"  
Thickness: 3/32"



82600-014

Pack: 10 ea/ctn.

Code	Finishes	Net/ea	10/ea
82600-014	Pol. Nickel	\$ 11.50	\$ 10.40
82600-015	Satin Nickel	11.50	10.40
82600-10B	Oil R. Bronze	11.00	9.75

**EMTEK CABINET PULLS : Sandcast Bronze**



Round Knob  
#86058  
1-1/4" dia.  
\$ 6.84



Square Knob  
#86145  
1-1/4" dia.  
\$ 6.84

Med. Bronze  
Flat Black

Emtok Cabinet hardware in rustic cast bronze, cast brass, stainless steel and crystal. Special Order: 3-5 days.



## New Drawer & Pull-Out Items



Double Tier Cutlery



Spice Pullouts



Single Trash, Sideways



Double Trash, Front and Back



### 3-WAY ADJUSTABLE CONCEALED HINGES



**TE-240-3D**  
88 lbs/pr.

For 1.02" (26mm) Door Min.



**TE-340-3D**  
176 lbs/pr.

For 1-1/2" (38mm) Door Min.

**TE-540-3D**  
264 lbs/pr.

For 1-5/8" (40mm) Door Min.

Completely concealed for flush doors with wood, steel or aluminum frames. Opening angle up to 180°, non-handed.

#### Coated Finishes



F1 - Satin Chrome Look



F2 - Satin Nickel Look

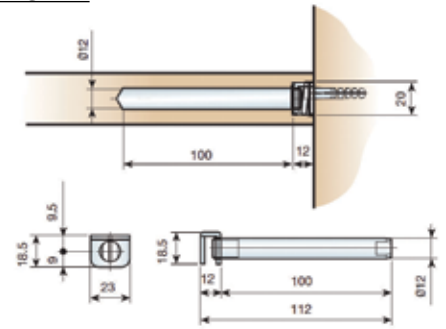
Code	Door Min	Finish	Net/ea
TE-240-3D-F1	1"	Sat Chrome Look	\$ 65
TE-240-3D-F2	1"	Sat Nickel Look	62
TE-340-3D-F1	1-1/2"	Sat Chrome Look	75
TE-340-3D-F2	1-1/2"	Sat Nickel Look	75
TE-540-3D-F1	1-5/8"	Sat Chrome Look	118
TE-540-3D-F2	1-5/8"	Sat Nickel Look	118

Other finishes available:

- Rustic Umber
- Matte Deep Black
- Stainless Steel Look
- Satin Nickel (Plated)

### FLOATING SHELF BRACKET

FS-BR

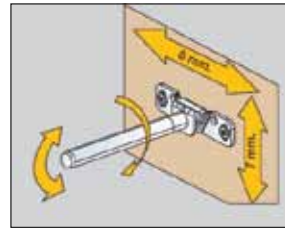


Up to 8" Shelf Depth,  
Load Cap: 37.4 lbs.  
per pair of brackets\*

Up to 12" Shelf Depth,  
Load Cap: 25.3 lbs.  
per pair of brackets\*

\* Based on 35" Length shelf with 2 brackets.

For every 18" additional length, add 1 additional bracket.



Accurate Leveling:  
8mm Side, 7mm Height.

The 90° angle adjusts +/- 5°.

Each bag contains:

1 support, 4 plastic wall plugs, and 4 screws.

Code	Description	Ctn	Net/bg	25+
FS-BR	Floating Shelf Bracket	25 bgs.	\$ 5.39	\$ 4.00

### DRAWERS: Pre-Assembled & Machined for Quadro, Grass, Enterprise and Salice Slides.



**Materials:** Solid Maple, Melamine, Maple 9-ply prefinished and unfinished, 7-ply prefinished Maple, MDF and more.

Rush Service avail. in Bay Area.

**Construction:** Dovetail, Butt Joint or Dowelled.

**Customer Specs:** Boxes guaranteed to size within 1/32" width, 1/16" height and 1/8" depth. All dimensions are O.D.

Fax Orders to: 415-552-8577

or email: orders@macmurraypacific.com



## October - November 2017 Specials

Order Desk (800) 244-1455 Fax (415) 552-5840  
 Email [orders@macmurraypacific.com](mailto:orders@macmurraypacific.com)  
 On the Web [www.macpac1.com](http://www.macpac1.com)

## SALICE Silentia+

### Silentia Plus Hinges : New Soft Close Technology



- Silicone oil dampers integrated in the hinge cup allow a perfect and constant closing of the door in any condition, use and application
- Silentia+ is also equipped with the innovative Switch to delay the decelerating action  
 The activation of this switch allows the ideal decelerating strength, even with special doors
- Range, kinematics and adjustments remain unchanged and ensure once again that Salice is the most comprehensive offer available on the market
- Silentia+ does not require any new mounting plates

### Contents:

Abrasives: Norton, Mirka	4,5
Adhesives: Titebond, Everstrong	4,7
AirShims	6
Baldwin Quickship	10
Drawer Slides	7-9
Elemental LED Lighting	4
Festool Sanders	5
Floating Shelf Brackets	11
Grass DynaPro Slides/Tipmatic	9
Hettich Quadro Slides	8
IDH Hardware: Sash Lifts / Hinges	10
Mohawk Lacquer	7
Olympus Locks	4
Pre-Assembled Drawers / Pull-outs	11
Rev-A-Shelf Products	3
Router Bits	5
Salice: Wind, Slides, Hinges	1,8,12
Shrink Wrap Film Tape	5
Swing Corner Kitchen Storage	2
Sugatsune Adjustable Cab Hinges	1
Valspar Conversion Varnish	6
Vauth Sagel Pantry Pull-Outs	2
Tectus Hinges	11