

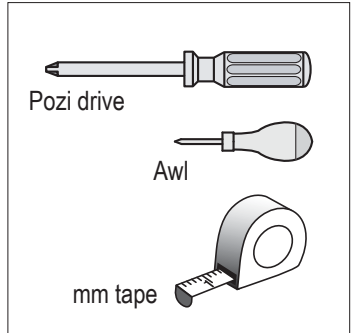
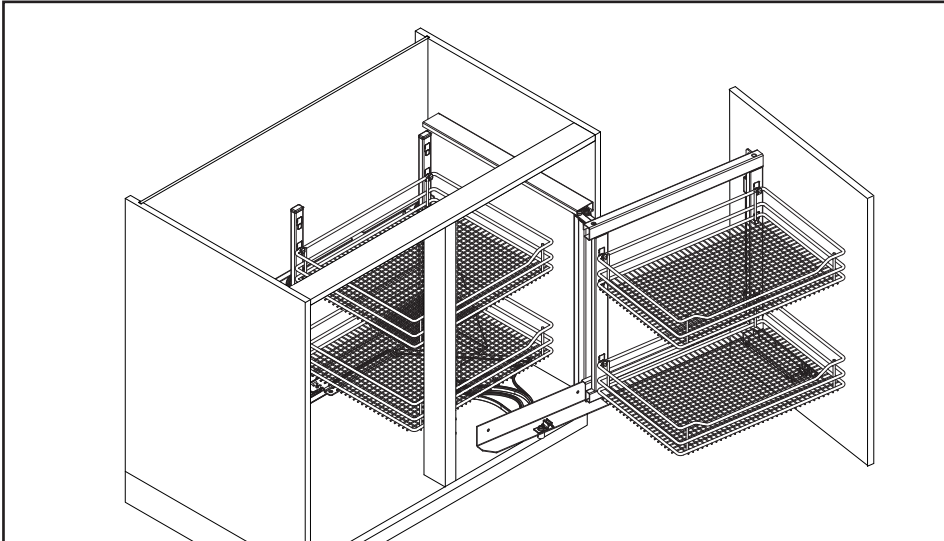


01 / 2011 / 001

# WARI CORNER

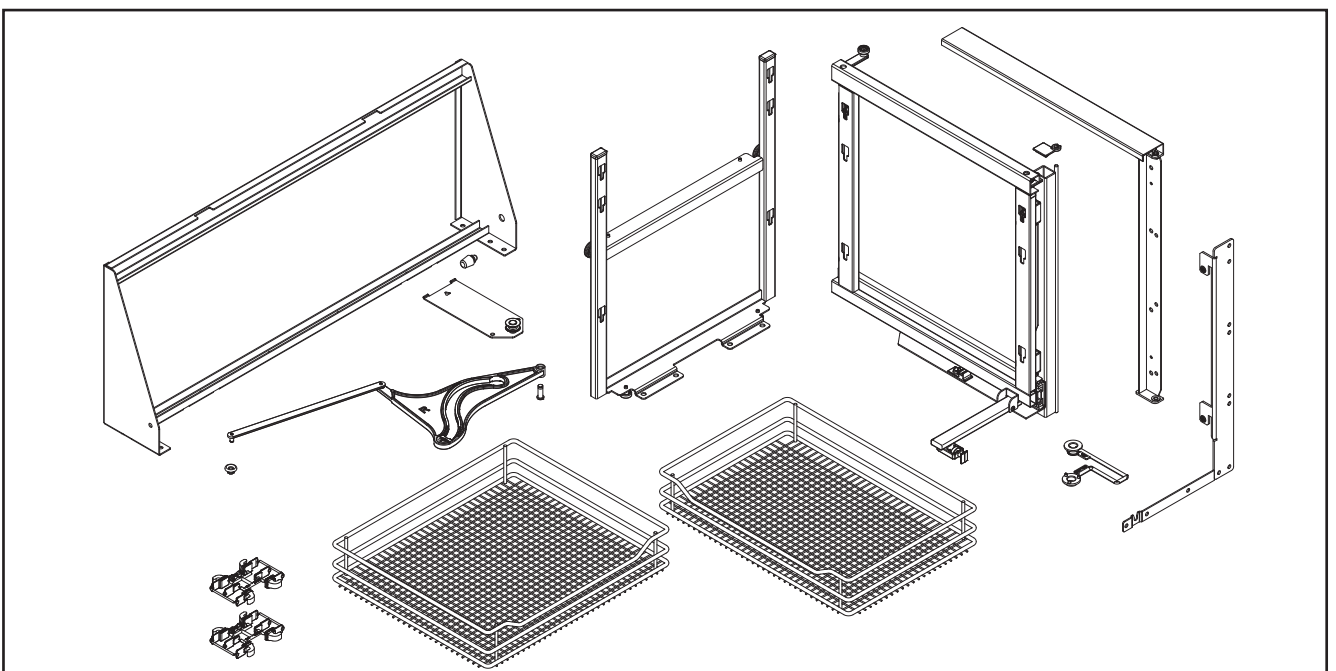
K 800  
K 900  
K1000

## Right Hand



$B$   
 $W$   
 $T$   
 $> 485 \text{ mm}$  (19-1/16")  
 $< 68 \text{ mm}$  (2-11/16")  
 $16 - 19 \text{ mm}$  (5/8" - 3/4")

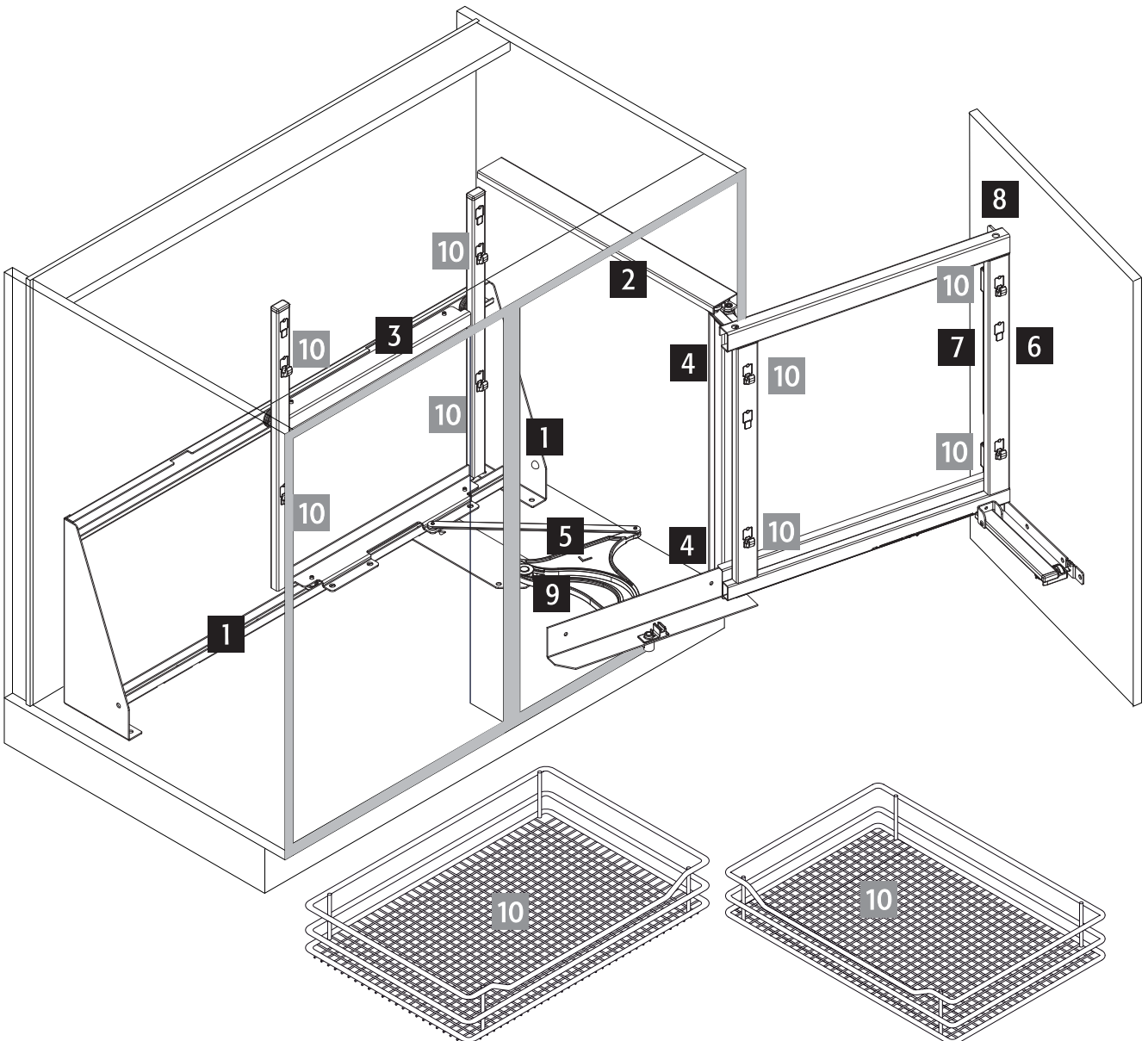
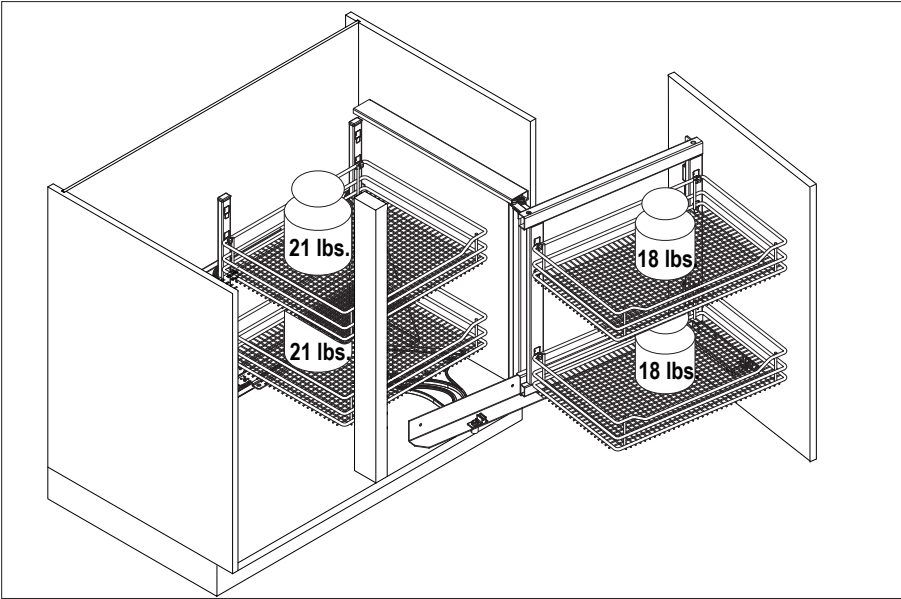
|          | K800                     | K900                     | K1000                   |
|----------|--------------------------|--------------------------|-------------------------|
| <b>B</b> | min. 800<br>(31-1/2")    | min. 900<br>(35-7/16")   | min. 1000<br>(39-3/8")  |
| <b>T</b> | min. 400<br>(15-3/4")    | min. 450<br>(17-3/4")    | min. 500<br>(19-11/16") |
| <b>W</b> | $\geq 361$<br>(14-3/16") | $\geq 411$<br>(16-3/16") | $\geq 461$<br>(18-1/8") |



44007703\_00



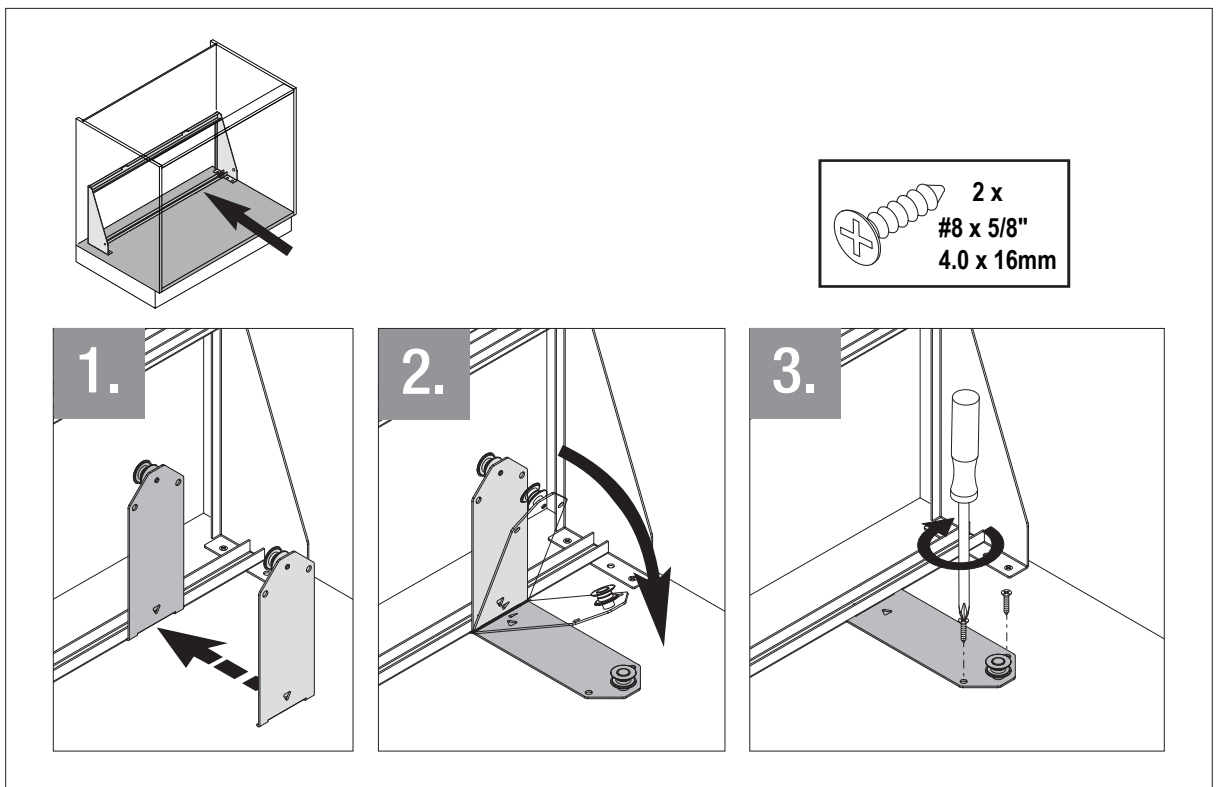
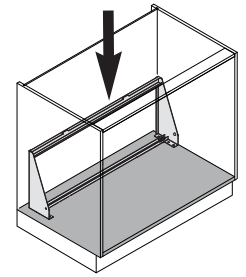
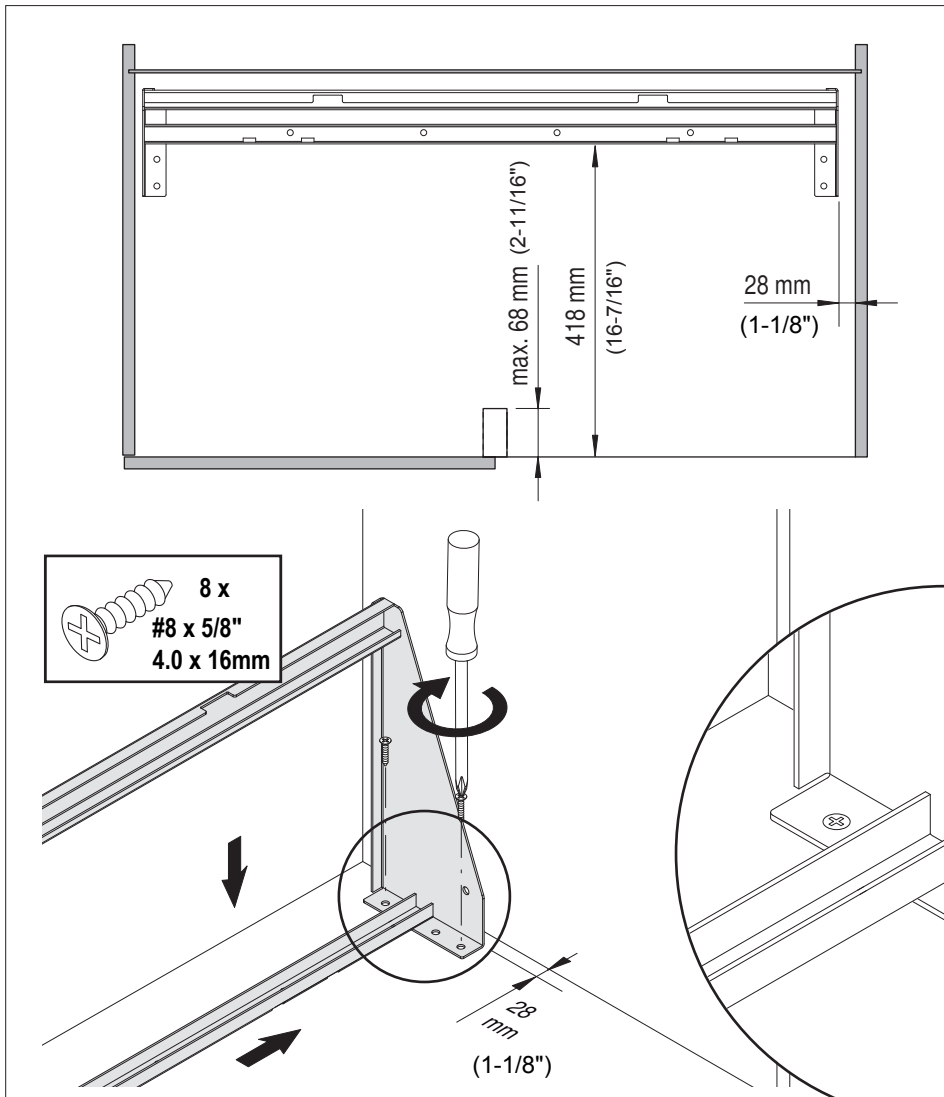
Do not lean on door



1



A

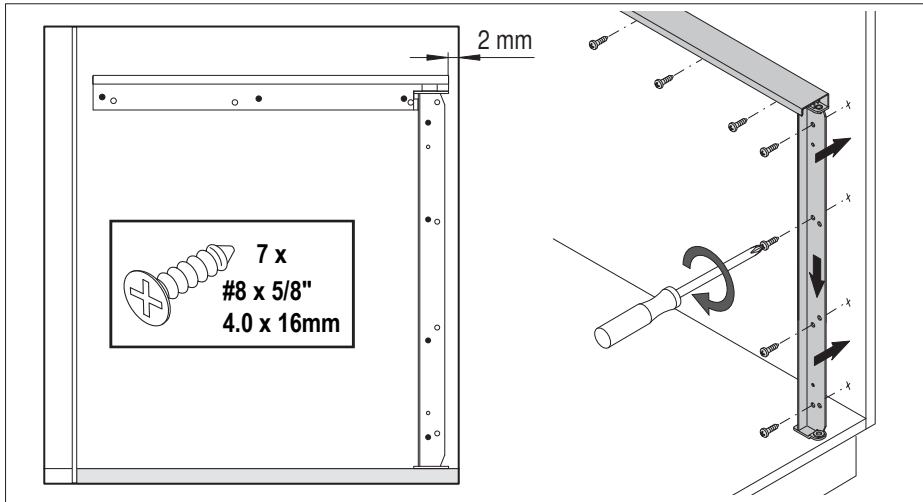




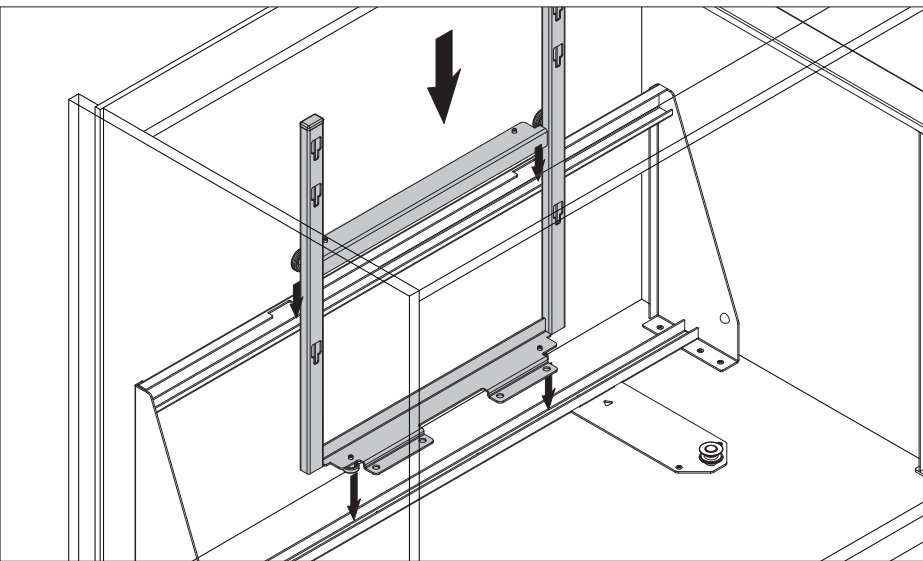
2



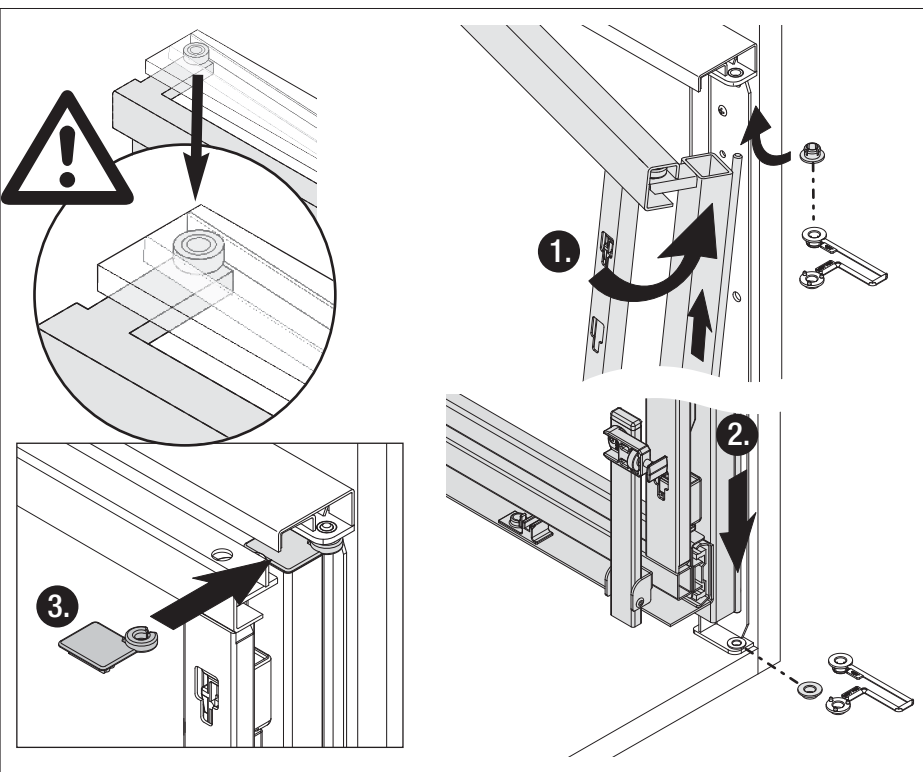
B



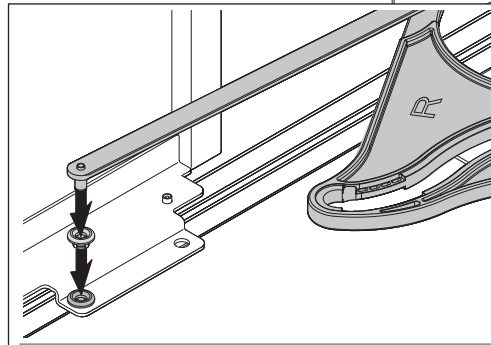
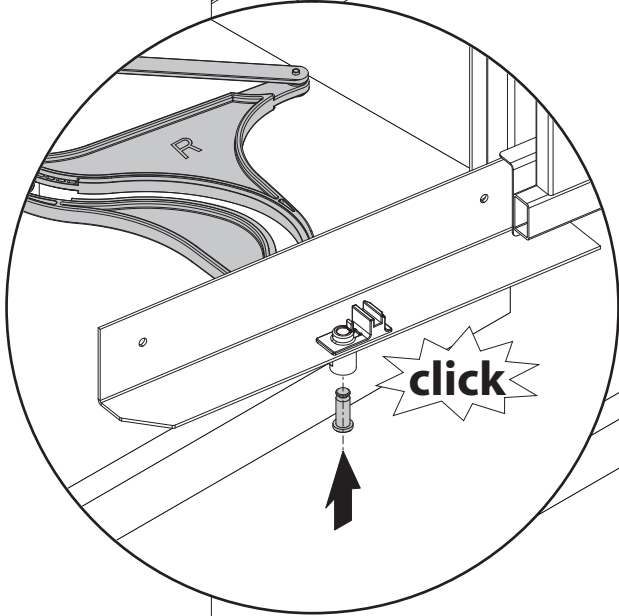
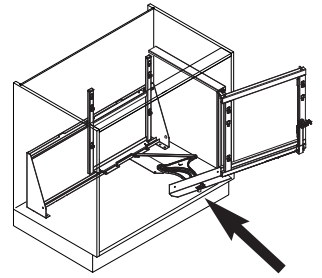
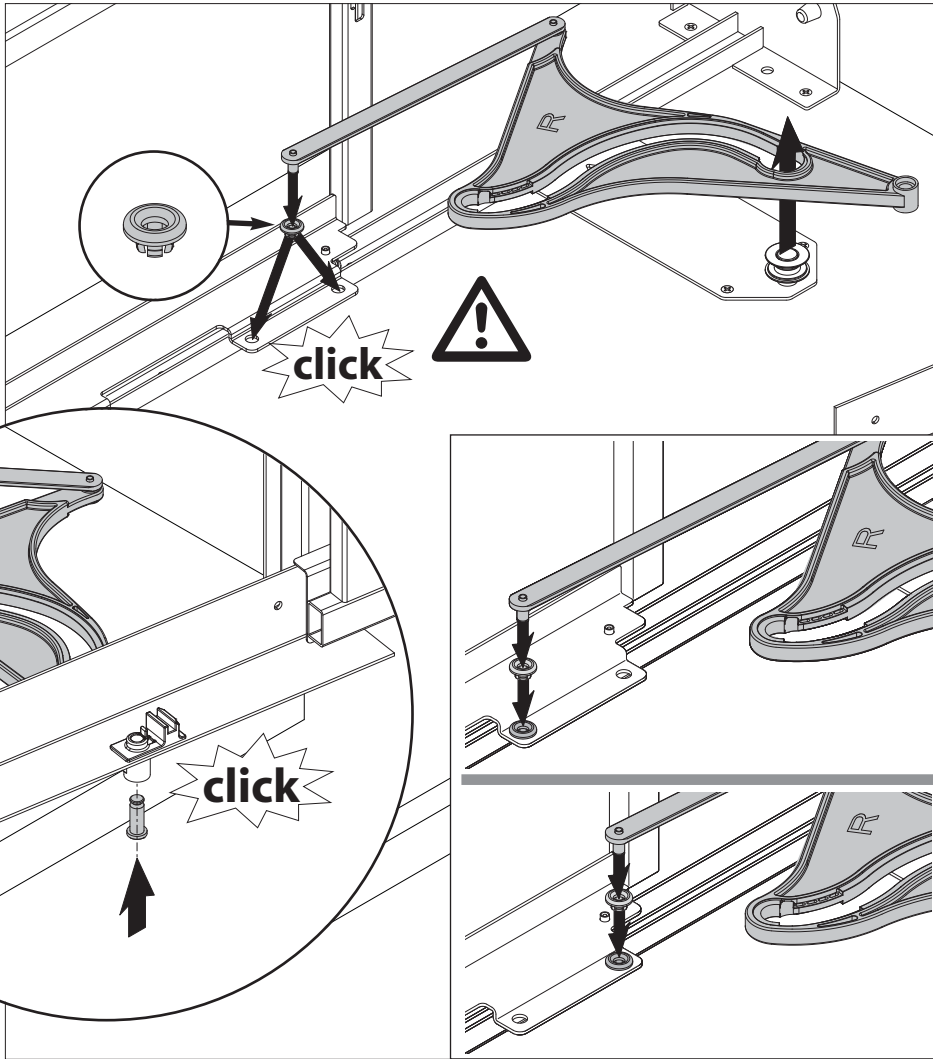
3



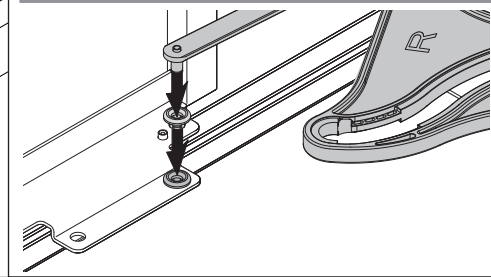
4



5

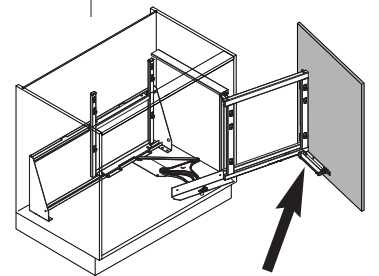
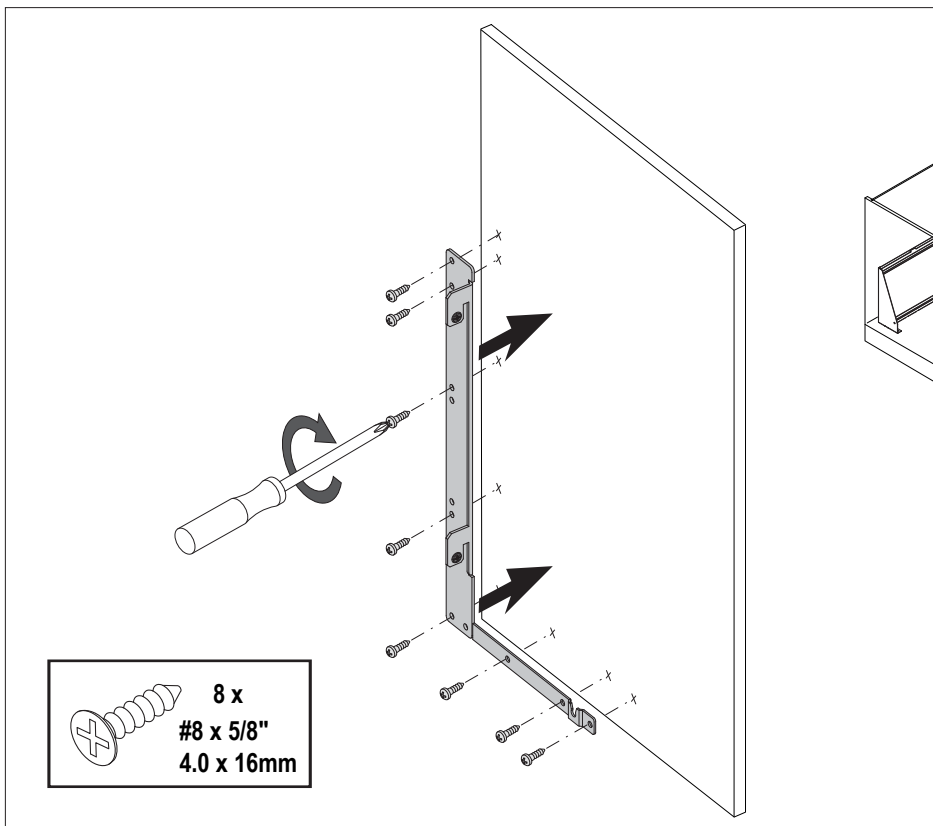


K 800  
K 900



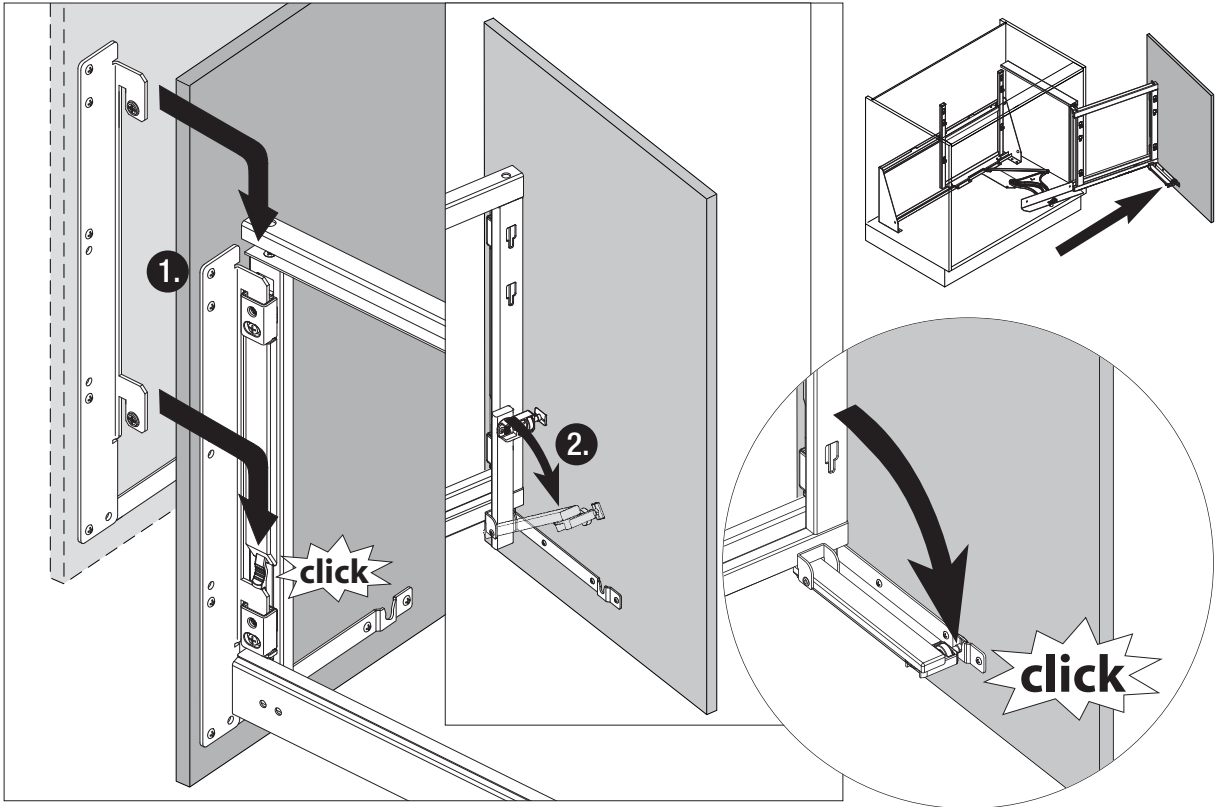
K 1000

6

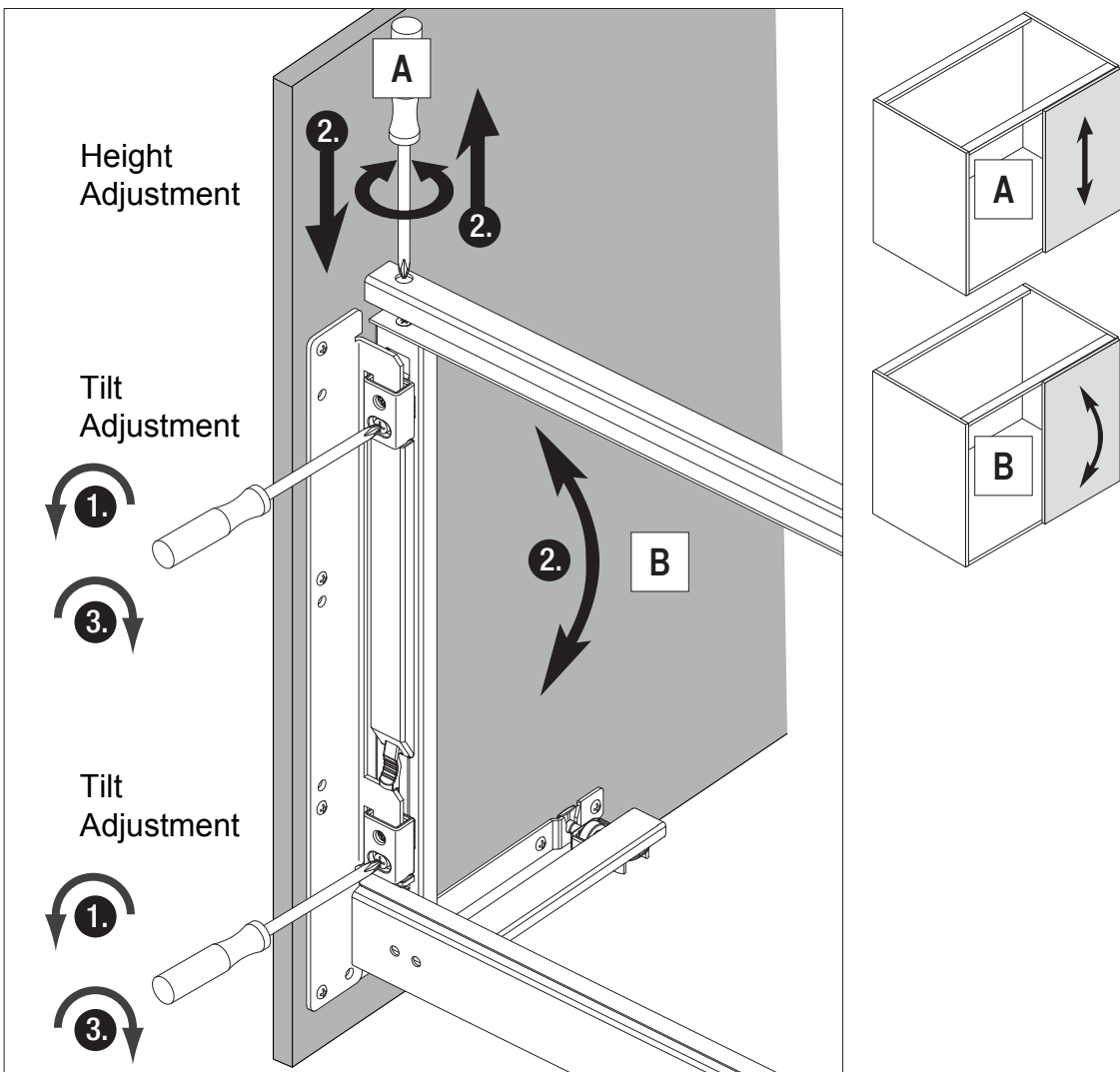




7

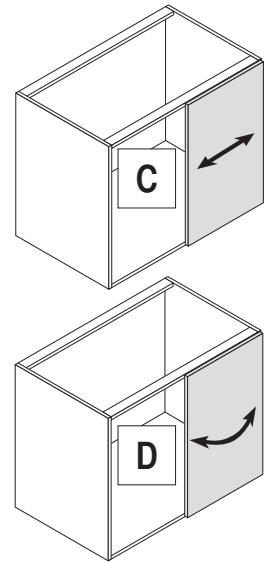
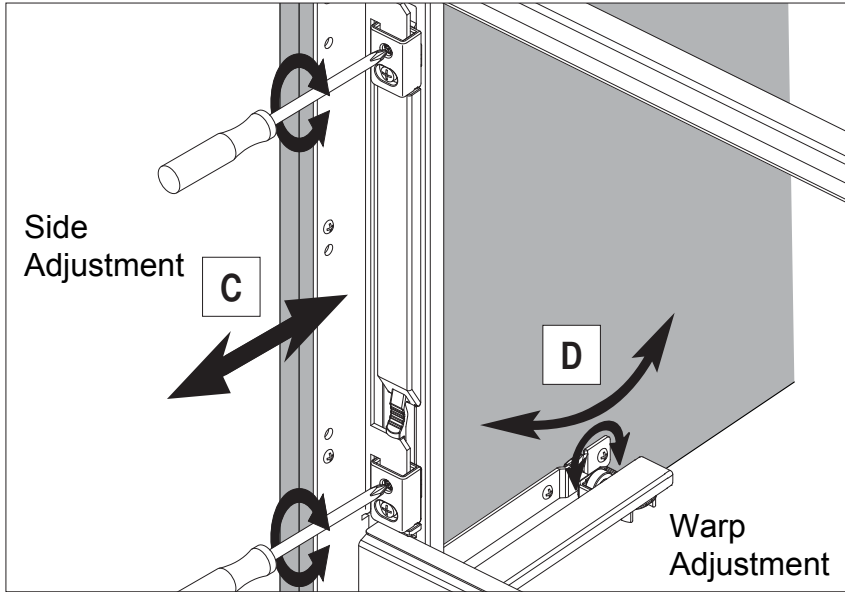


8

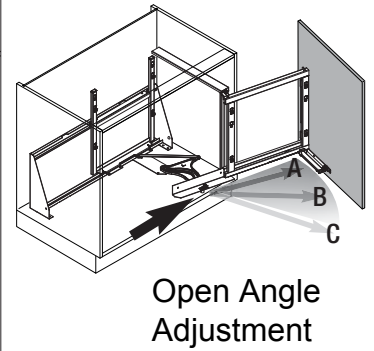
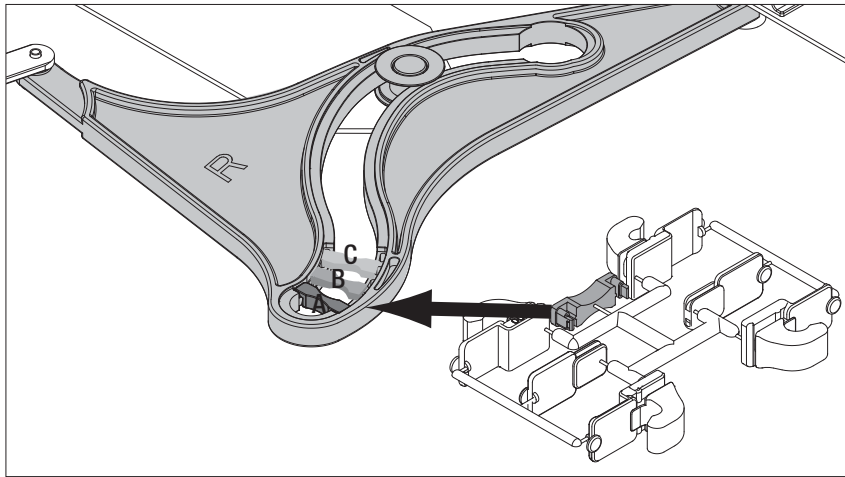




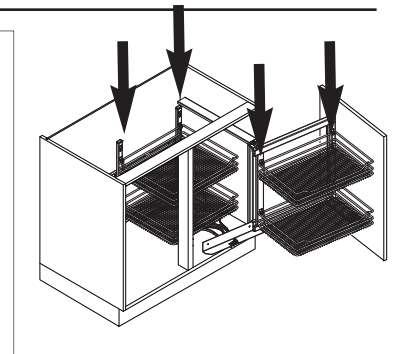
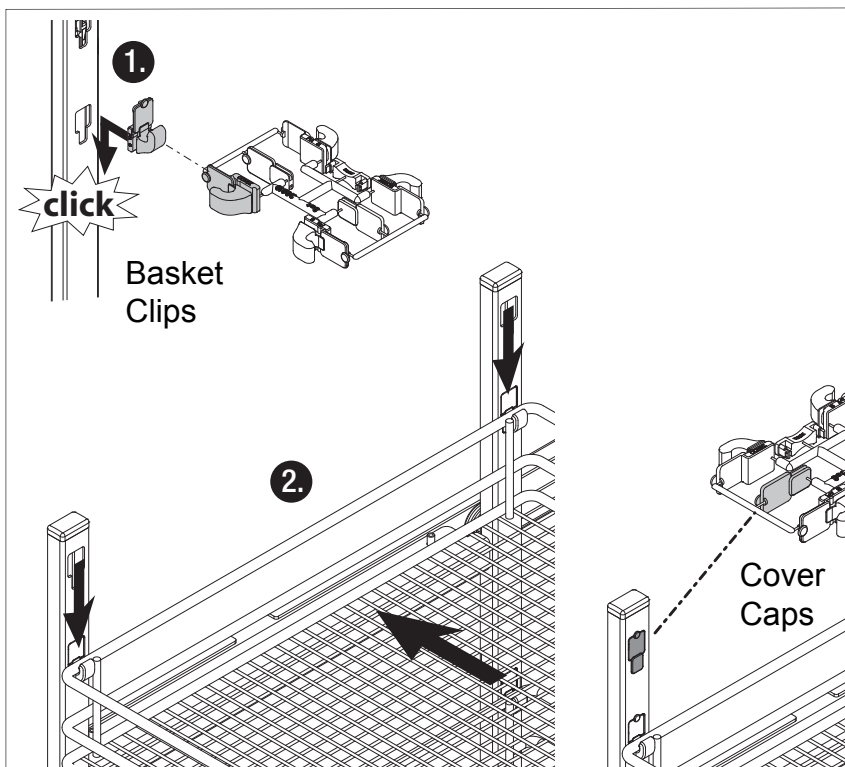
8



9

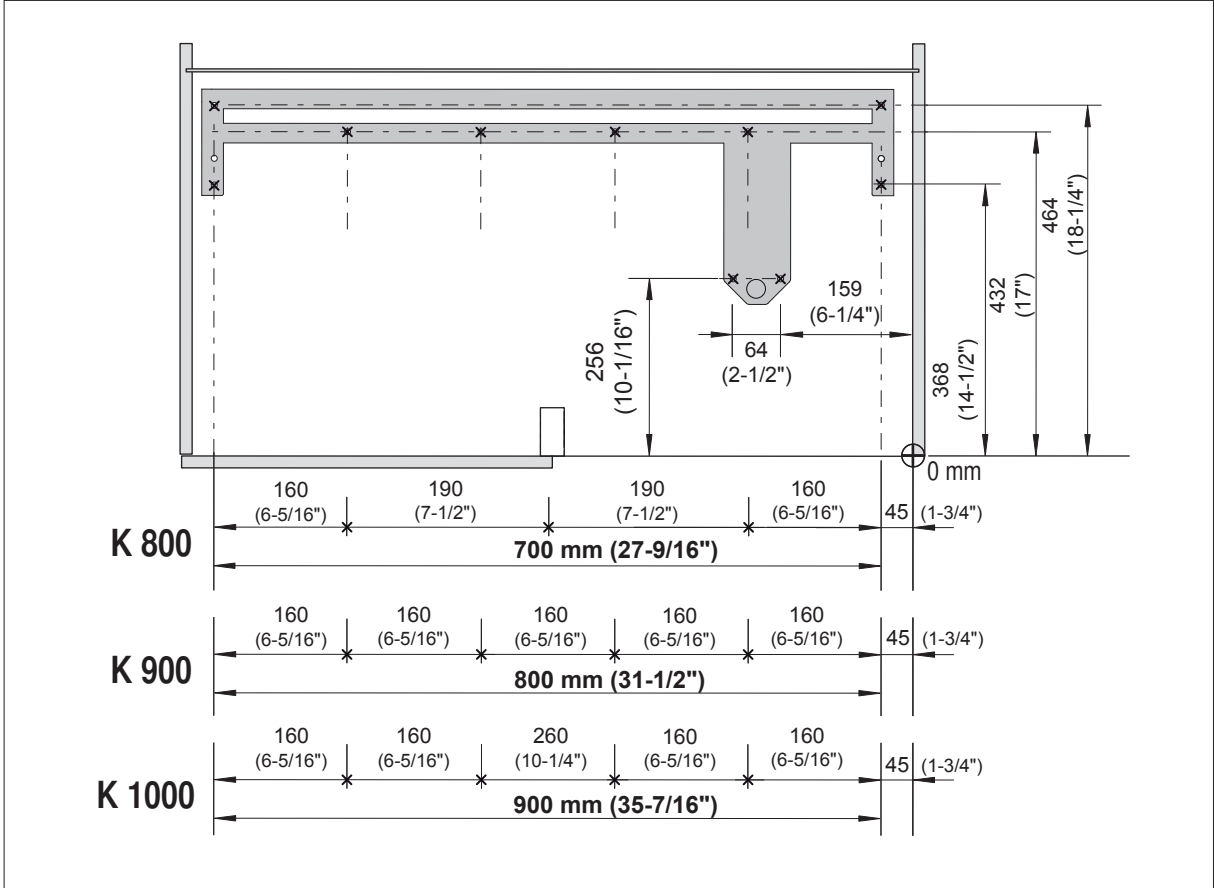
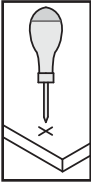


10

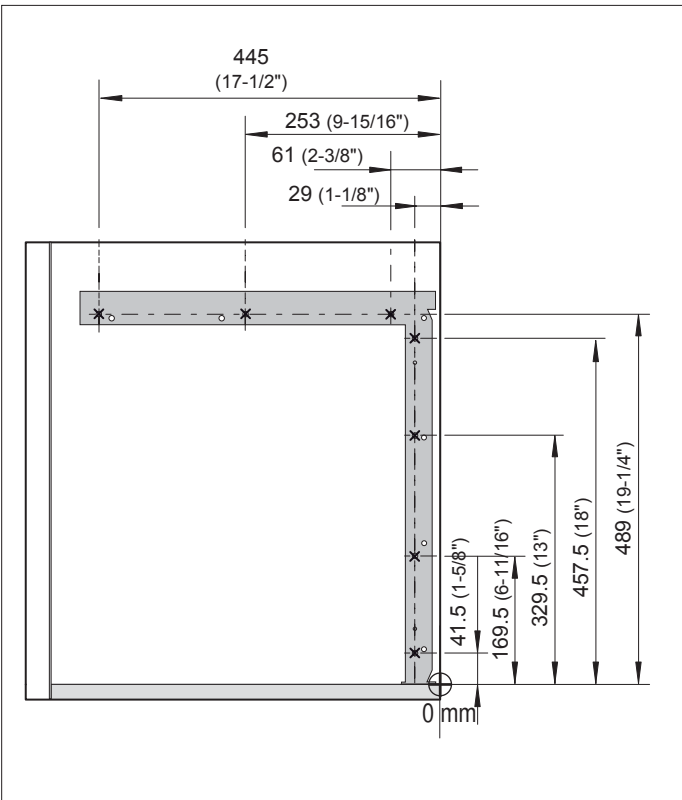




**A**



**B**



**C**

