

BALDWIN®

ESTATE™



QUICKSHIP PROGRAM 2016

BALDWIN®

TABLE OF CONTENTS

Handlesets.....	4-7
Pre-Configured Knobs & Levers.....	8-11
Deadbolts	12
Hinges	13
Mortise Locks	14-15

OWN IT.™

We're pleased to offer the new Baldwin QuickShip program. QuickShip is designed to expedite shipping of the most popular styles, designs and finishes to customers. Nearly 600 SKUs will be available through Baldwin QuickShip and customers will be delighted to know their order will be processed and shipped within five days, from order confirmation.

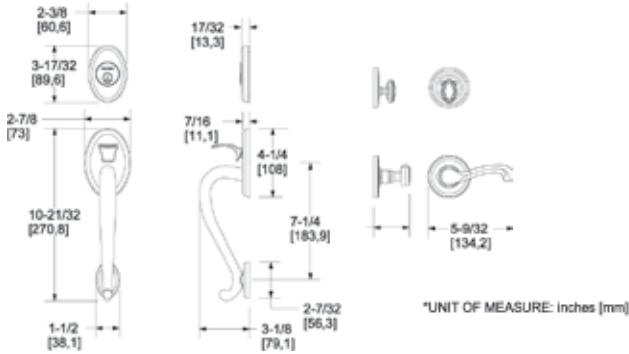
The mix of products includes Baldwin's best-selling handlesets, preconfigured knobs and levers, keyed entry knobs, levers and high-quality hinges.

Thirteen handlesets will be available in five stunning finishes and in both tubular and mortise functions. QuickShip is exclusive to the Baldwin Estate portfolio, which offers signature looks with unparalleled elegance and unrivaled quality. From traditional and transitional to modern and contemporary, Baldwin's QuickShip program offers the best in design flexibility, style and delivery.

BALDWIN. OWN IT.

TUBULAR HANDLESETS

Logan Sectional Trim w/ 5455V Wave Lever

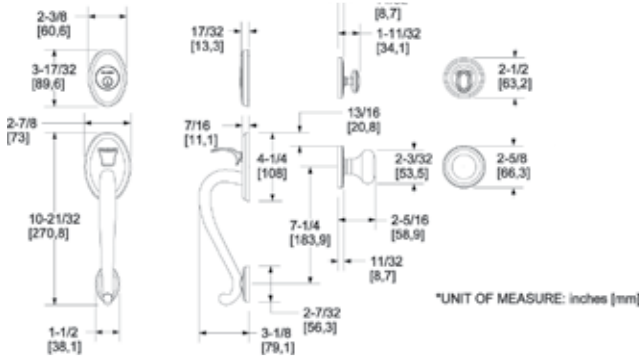


Item #	Description	Wt.	102, 112, 150	003
85315.xxx.RENT	Single cylinder handleset with lever - RH Entry	6.7	450	525
85315.xxx.LENT	Single cylinder handleset with lever - LH Entry			



Comes with Adjustable Backset.

Logan Sectional Trim w/ 5015 Classic Knob

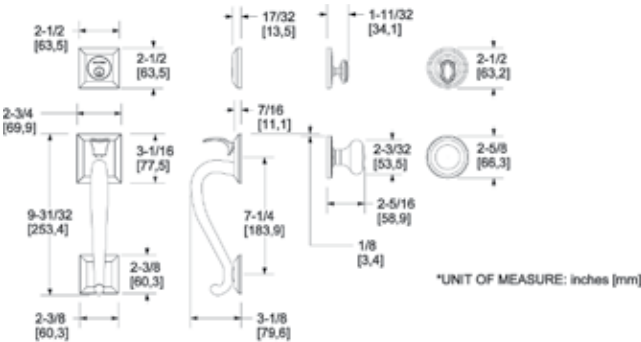


Item #	Description	Wt.	102, 112, 150	003
85315.xxx.ENTR	Single cylinder handleset with interior knob	5.6	\$450	\$525



Comes with Adjustable Backset.

Madison® Sectional Trim w/ 5015 Classic knob

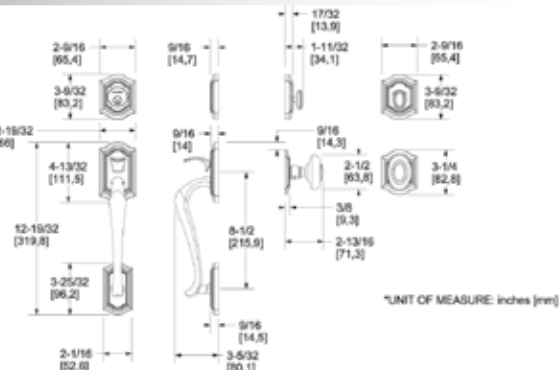


Item #	Description	Wt.	102, 112, 150	003
85320.xxx.ENTR	Single cylinder handleset with interior knob	5.6	\$450	\$525



Comes with Adjustable Backset.

Bethpage® Sectional Trim w/ 5077 Bethpage knob



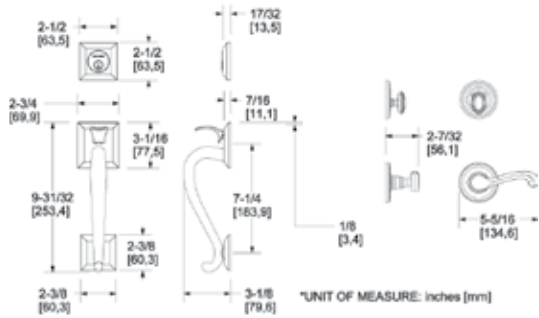
Item #	Description	Wt.	102, 112, 150	003
85327.xxx.ENTR	Single cylinder handleset with interior knob	5.8	\$450	\$525



Comes with Adjustable Backset.

TUBULAR HANDLESETS

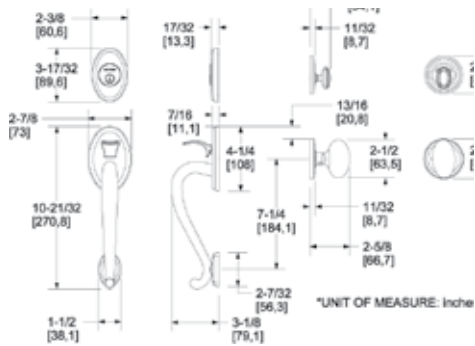
Madison® Sectional Trim w/ 5445V Classic lever



Comes with Adjustable Backset.

Item #	Description	Wt.	102, 112, 150, 260	003
85320.xxx.RENT	Single cylinder handleset with lever – RH Entry	6.6	450	525
85320.xxx.LENT	Single cylinder handleset with lever – LH Entry			

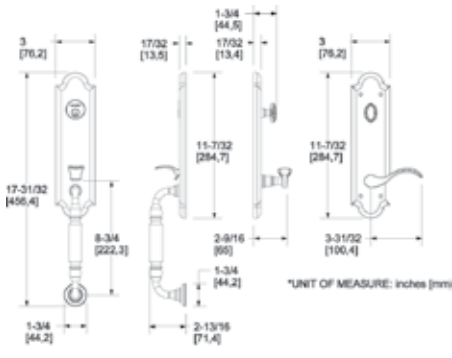
Logan Sectional Trim w/ 5025 Egg knob



Comes with Adjustable Backset.

Item #	Description	Wt.	102, 112, 150	003
85335.xxx.ENTR	Single cylinder handleset with interior knob	5.7	\$450	\$525

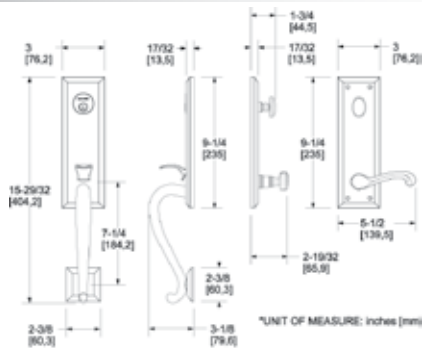
Manchester Emergency Egress Handleset w/ 5455V Wave lever



Comes with Adjustable Backset.

Item #	Description	Wt.	102, 112, 150	003
85350.xxx.RENT	Single cylinder handleset w/ lever, emergency egress – RH Entry	8.3	600	675
85350.xxx.LENT	Single cylinder handleset w/ lever, emergency egress – LH Entry			

Stonegate Emergency Egress Handleset w/ 5445V Classic lever

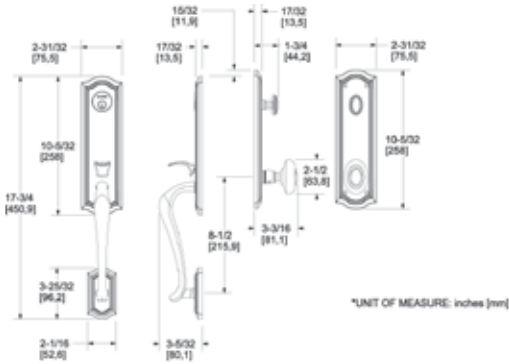


Comes with Adjustable Backset.

Item #	Description	Wt.	102, 112, 150	003
85355.xxx.RENT	Single cylinder handleset w/ lever, emergency egress – RH Entry	8.1	600	675
85355.xxx.LENT	Single cylinder handleset w/ lever, emergency egress – LH Entry			

TUBULAR HANDLESETS

Bethpage® Emergency Egress Handleset w/ 5077 Bethpage knob

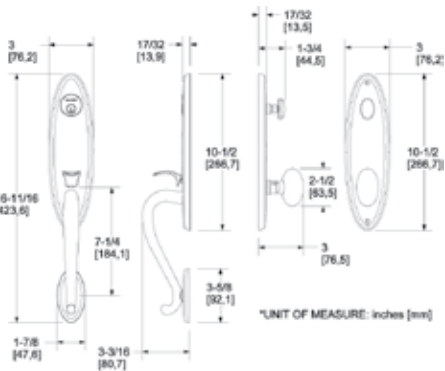


Item #	Description	Wt.	102, 112, 150	003
85337.xxx.ENTR	Single cylinder handleset with interior knob, emergency egress	6.8	\$600	\$675



Comes with Adjustable Backset.

Blakely Emergency Egress Handleset w/ 5025 Egg knob

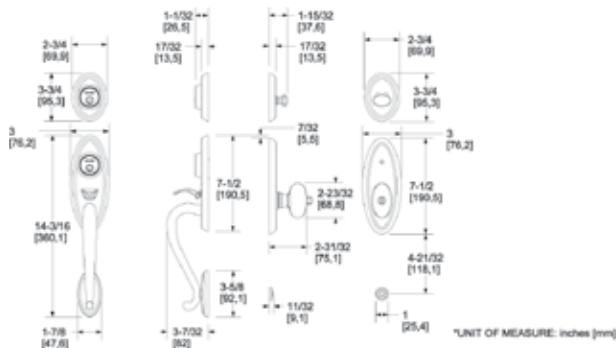


Item #	Description	Wt.	102, 112, 150	003
85360.xxx.ENTR	Single cylinder handleset with interior knob	6.8	\$600	\$675



Comes with Adjustable Backset.

Landon® Two-Point Lock Handleset w/ 5225 Egg knob



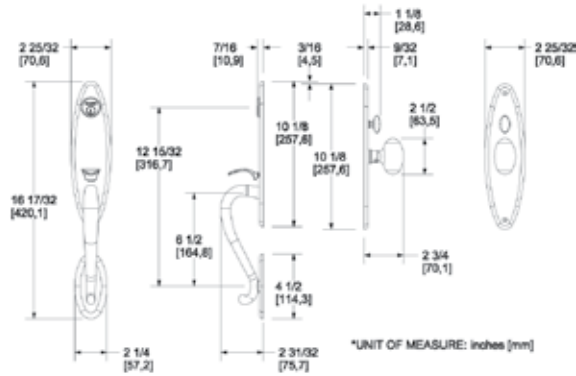
Item #	Description	Wt.	102, 112, 150, 260	003
85345.xxx.2ENT	Single cylinder handleset with interior knob	8.8	\$550	\$625



Comes with Adjustable Backset.

Springfield Handleset w/ 5025 Egg knob

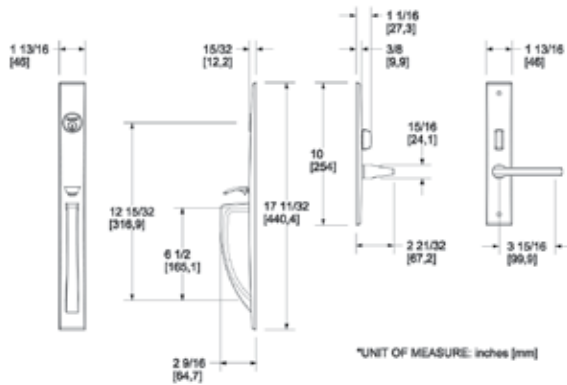
Item #	Description	Wt.	102,	003
			112, 150, 260	
6573.xxx.ENTR	Entrance Trim	9.5	\$495	\$570



Requires additional components. See page 15 for details.

Lakeshore™ Handleset

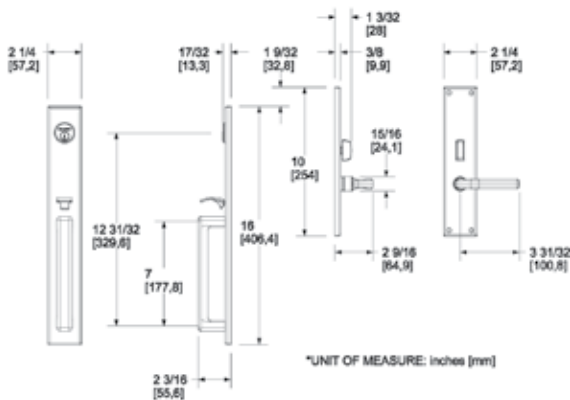
Item #	Description	Wt.	102	055
			112, 150, 260	
6966.xxx.RENT (LENT)	Entrance Trim – Lakeshore	5.0	\$795	\$870



Requires additional components. See page 15 for details.

Minneapolis Handleset

Item #	Description	Wt.	102	055
			112, 150, 260	
6976.xxx.RENT (LENT)	Entrance Trim	5.5	\$495	\$570



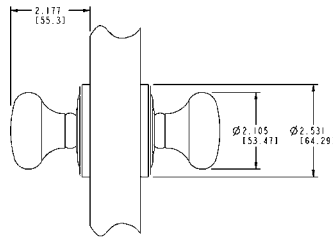
Requires additional components. See page 15 for details.

KNOBS

PRE-CONFIGURED SETS

5015 Classic Knob w/ 5048 Rose

Passage, Privacy & Dummy

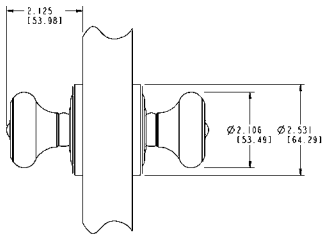


Item #	Description	Wt.	030, 031, 102	
			112, 150, 260	003, 055
5015.xxx.FD	Full Dummy	1.9	\$130	\$160
5015.xxx.IDM	Half Dummy	1.0	65	80
5015.xxx.PASS	Passage: 2 3/8" backset	2.5	160	190
5015.xxx.PRIV	Privacy: 2 3/8" backset			

- Other finishes and roses available a la carte at standard lead time.
- 1-3/8" thick doors only.
- PASS and PRIV functions ship with full lip strike.
- QuickShip is only available with 2 3/8" backset latch. A 2 3/4" backset latch is available at standard lead time.

5020 Colonial Knob w/ 5048 Rose

Passage, Privacy & Dummy

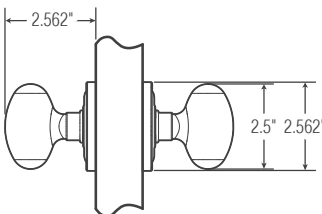


Item #	Description	Wt.	030, 031, 102	
			112, 150, 260	003, 055
5020.xxx.FD	Full Dummy	2.0	\$130	\$160
5020.xxx.IDM	Half Dummy	1.0	65	80
5020.xxx.PASS	Passage: 2 3/8" backset	2.6	160	190
5020.xxx.PRIV	Privacy: 2 3/8" backset			

- Other finishes and roses available a la carte at standard lead time.
- 1-3/8" thick doors only.
- PASS and PRIV functions ship with full lip strike.
- QuickShip is only available with 2 3/8" backset latch. A 2 3/4" backset latch is available at standard lead time.

5025 Egg Knob w/ 5048 Rose

Passage, Privacy & Dummy

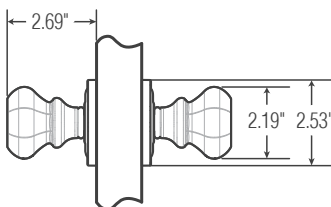


Item #	Description	Wt.	030, 031, 102	
			112, 150, 260	003, 055
5025.xxx.FD	Full Dummy	2.8	\$130	\$160
5025.xxx.IDM	Half Dummy	1.6	65	80
5025.xxx.PASS	Passage: 2 3/8" backset	3.4	160	190
5025.xxx.PRIV	Privacy: 2 3/8" backset			

- Other finishes and roses available a la carte at standard lead time.
- 1-3/8" thick doors only.
- PASS and PRIV functions ship with full lip strike.
- QuickShip is only available with 2 3/8" backset latch. A 2 3/4" backset latch is available at standard lead time.

5080 Fillmore Knob w/ 5048 Rose

Passage, Privacy & Dummy



Item #	Description	Wt.	030, 102,	
			112, 150, 260	
5080.xxx.FD	Full Dummy	2.5	\$130	
5080.xxx.IDM	Half Dummy	1.3	65	
5080.xxx.PASS	Passage: 2 3/8" backset	3.1	160	
5080.xxx.PRIV	Privacy: 2 3/8" backset			

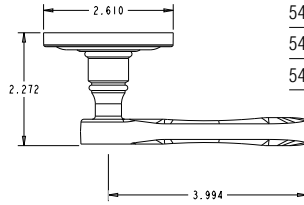
- Other finishes and roses available a la carte at standard lead time.
- 1-3/8" thick doors only.
- PASS and PRIV functions ship with full lip strike.
- QuickShip is only available with 2 3/8" backset latch. A 2 3/4" backset latch is available at standard lead time.

Emergency Exit: The Knob or lever will retract the bolt while the exterior remains locked.

Standard Exit: The knob or lever must be unlocked prior to exit.

BALDWIN

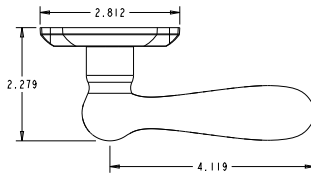
5445V Classic Lever w/ 5048 Rose
Passage, Privacy & Dummy



Item #	Description	Wt.	030, 031, 102, 112, 150, 260	003, 055
5445V.xxx.FD	Full Dummy	1.5	\$130	\$160
5445V.xxx.RDM	RIGHT Hand Half Dummy	1.1	65	80
5445V.xxx.LDM	LEFT Hand Half Dummy			
5445V.xxx.PASS	Passage: 2 3/8" backset	2.1	160	190
5445V.xxx.PRIV	Privacy: 2 3/8" backset			

- Other finishes and roses available a la carte at standard lead time.
- 1-3/8" thick doors only.
- PASS and PRIV functions ship with full lip strike.
- QuickShip is only available with 2 3/8" backset latch. A 2 3/4" backset latch is available at standard lead time.

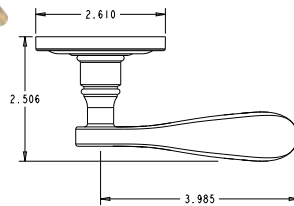
5452V Beavertail Lever w/ R030 Rose
Passage, Privacy & Dummy



Item #	Description	Wt.	102, 112	402
5452V.xxx.FD	Full Dummy	2.4	\$130	\$160
5452V.xxx.RDM	RIGHT Hand Half Dummy	1.1	65	80
5452V.xxx.LDM	LEFT Hand Half Dummy			
5452V.xxx.PASS	Passage: 2 3/8" backset	2.9	160	190
5452V.xxx.PRIV	Privacy: 2 3/8" backset			

- Other finishes and roses available a la carte at standard lead time.
- 1-3/8" thick doors only.
- PASS and PRIV functions ship with full lip strike.
- QuickShip is only available with 2 3/8" backset latch. A 2 3/4" backset latch is available at standard lead time.

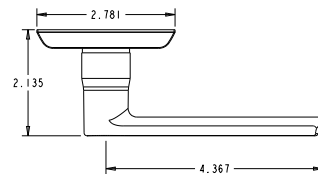
5455V Wave Lever w/ 5048 Rose
Passage, Privacy & Dummy



Item #	Description	Wt.	030, 031, 102, 112, 150, 260	003, 055
5455V.xxx.FD	Full Dummy	1.5	\$130	\$160
5455V.xxx.RDM	RIGHT Hand Half Dummy	0.8	65	80
5455V.xxx.LDM	LEFT Hand Half Dummy			
5455V.xxx.PASS	Passage: 2 3/8" backset	2.1	160	190
5455V.xxx.PRIV	Privacy: 2 3/8" backset			

- Other finishes and roses available a la carte at standard lead time.
- 1-3/8" thick doors only.
- PASS and PRIV functions ship with full lip strike.
- QuickShip is only available with 2 3/8" backset latch. A 2 3/4" backset latch is available at standard lead time.

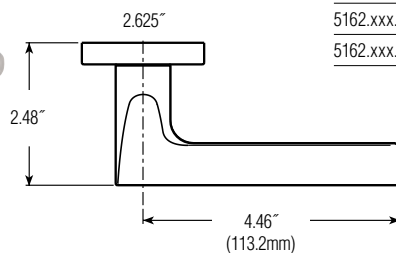
5485V Soho Lever w/ R026 Rose
Passage, Privacy & Dummy



Item #	Description	Wt.	102, 150, 260	055, 056
5485V.xxx.FD	Full Dummy	1.8	\$130	\$160
5485V.xxx.RDM	RIGHT Hand Half Dummy	1.0	65	80
5485V.xxx.LDM	LEFT Hand Half Dummy			
5485V.xxx.PASS	Passage: 2 3/8" backset	2.3	160	190
5485V.xxx.PRIV	Privacy: 2 3/8" backset			

- Other finishes and roses available a la carte at standard lead time.
- 1-3/8" thick doors only.
- PASS and PRIV functions ship with full lip strike.
- QuickShip is only available with 2 3/8" backset latch. A 2 3/4" backset latch is available at standard lead time.

5162 Lever w/ R017 Rose
Passage, Privacy & Dummy

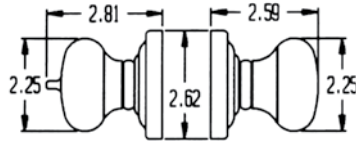


Item #	Description	Wt.	102, 150, 260	055, 056
5162.xxx.FD	Full Dummy	2.2	\$150	\$180
5162.xxx.RDM	RIGHT Hand Half Dummy	1.1	75	90
5162.xxx.LDM	LEFT Hand Half Dummy			
5162.xxx.PASS	Passage: 2 3/8" backset	2.8	180	210
5162.xxx.PRIV	Privacy: 2 3/8" backset			

- Other finishes and roses available a la carte at standard lead time.
- 1-3/8" thick doors only.
- PASS and PRIV functions ship with full lip strike.
- QuickShip is only available with 2 3/8" backset latch. A 2 3/4" backset latch is available at standard lead time.

KNOBS TUBULAR KEYED ENTRY

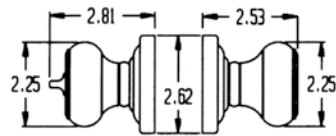
Classic Knob w/ Classic Rose



Item #	Description	Wt.	102, 112, 150, 260	003
5205.xxx.ENTR	Emergency Exit	3.1	\$220	\$250
5206.xxx.ENTR	Emergency Exit: 1 1/8" to 2 1/4" doors			

Comes with Adjustable Backset.

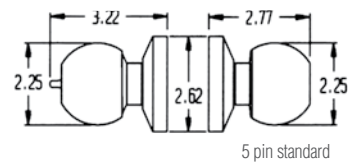
Colonial Knob w/ Classic Rose



Item #	Description	Wt.	102, 112, 150, 260	003
5210.xxx.ENTR	Emergency Exit	3.1	\$220	\$250
5211.xxx.ENTR	Emergency Exit: 1 1/8" to 2 1/4" doors			

Comes with Adjustable Backset.

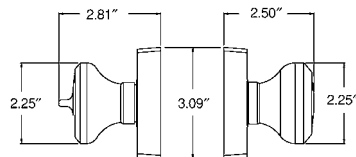
Contemporary Knob w/ Contemporary Rose



Item #	Description	Wt.	102, 112, 150, 260	003
5215.xxx.ENTR	Emergency Exit	3.4	\$220	\$250
5216.xxx.ENTR	Emergency Exit: 1 1/8" to 2 1/4" doors			

Comes with Adjustable Backset.

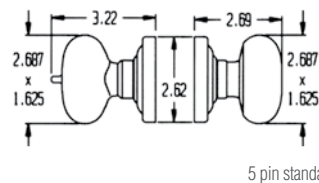
5023 Knob w /Contemporary Rose



Item #	Description	Wt.	102, 112, 150, 260	003
5275.xxx.ENTR	Emergency Exit	4.2	\$220	\$250
5276.xxx.ENTR	Emergency Exit: 1 1/8" to 2 1/4" doors			

Comes with Adjustable Backset.

Egg Knob w/ Classic Rose



Item #	Description	Wt.	102, 112, 150, 260	003
5225.xxx.ENTR	Emergency Exit	3.6	\$220	\$250
5226.xxx.ENTR	Emergency Exit: 1 1/8" to 2 1/4" doors			

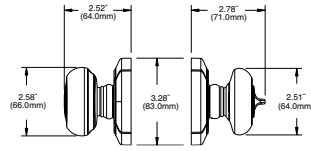
Comes with Adjustable Backset.

Emergency Exit: The Knob or lever will retract the bolt while the exterior remains locked.

Standard Exit: The knob or lever must be unlocked prior to exit.

BALDWIN

Bethpage Knob

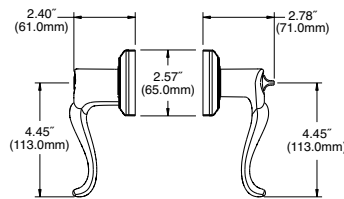


5 pin standard

Comes with Adjustable Backset.

Item #	Description	Wt.	102, 112, 150, 260	003
5237.xxx.ENTR	Emergency Exit			
5238.xxx.ENTR	Emergency Exit: 1 1/8" to 2 1/4" doors	3.6	\$220	\$250

Bethpage Lever w/ Bethpage Rose

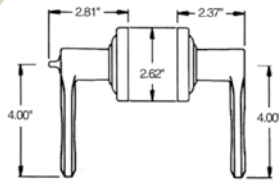


5 pin standard

Comes with Adjustable Backset.

Item #	Description	Wt.	102, 112, 150, 260	003
5237.xxx.RENT	RIGHT Hand Emergency Exit	3.9	\$220	\$250
5237.xxx.LENT	LEFT Hand Emergency Exit			

Classic Lever w/ Classic Rose

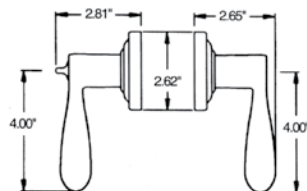


5 pin standard

Comes with Adjustable Backset.

Item #	Description	Wt.	102, 112, 150, 260	003
5245.xxx.RENT	RIGHT Hand Emergency Exit	2.2	\$220	\$250
5245.xxx.LENT	LEFT Hand Emergency Exit			

Wave Lever w/ Classic Rose



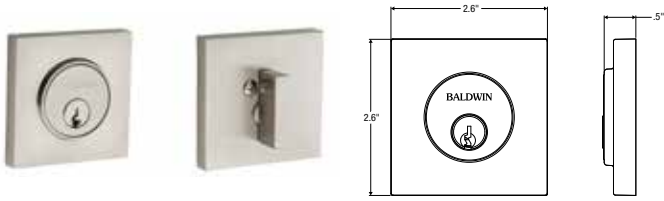
5 pin standard

Comes with Adjustable Backset.

Item #	Description	Wt.	102, 112, 150, 260	003
5255.xxx.RENT	RIGHT Hand Emergency Exit	2.8	\$220	\$250
5255.xxx.LENT	LEFT Hand Emergency Exit			

DEADBOLTS

8220 Contemporary Deadbolt – 2 1/8" Door Prep



Item #	Description	Wt.	102,	
			112, 150, 260	003
8220.xxx	Single cylinder deadbolt	1.7	\$95	\$110

*QuickShip deadbolts are for 1.75" thick doors
**Thick door kits available at standard leadtimes

Comes with Adjustable Backset.

8231 Traditional Deadbolt – 2 1/8" Door Prep

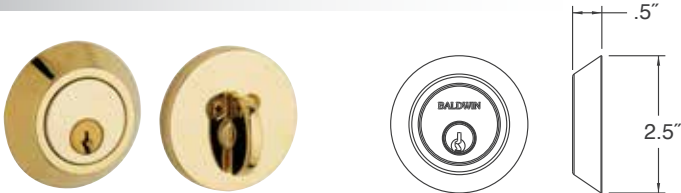


Item #	Description	Wt.	102,	
			112, 150, 260	003
8231.xxx	Single cylinder deadbolt	2.2	\$95	\$110

*QuickShip deadbolts are for 1.75" thick doors
**Thick door kits available at standard leadtimes

Comes with Adjustable Backset.

8241 Contemporary Deadbolt – 2 1/8" Door Prep

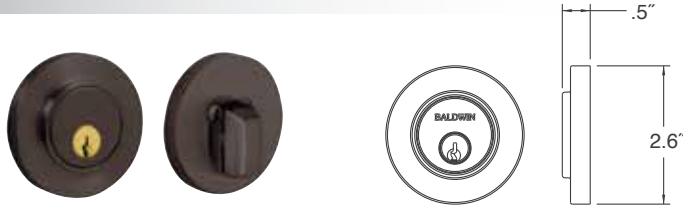


Item #	Description	Wt.	102,	
			112, 150, 260	003
8241.xxx	Single cylinder deadbolt	2.1	\$95	\$110

*QuickShip deadbolts are for 1.75" thick doors
**Thick door kits available at standard leadtimes

Comes with Adjustable Backset.

8244 Contemporary Deadbolt – 2 1/8" Door Prep

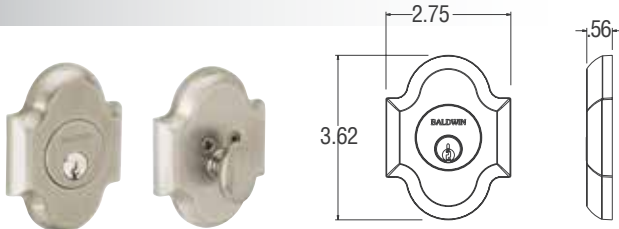


Item #	Description	Wt.	102,	
			112, 150, 260	003
8244.xxx	Single cylinder deadbolt	2.1	\$130	\$145

*QuickShip deadbolts are for 1.75" thick doors
**Thick door kits available at standard leadtimes

Comes with Adjustable Backset.

8252 Arched Deadbolt – 2 1/8" Door Prep

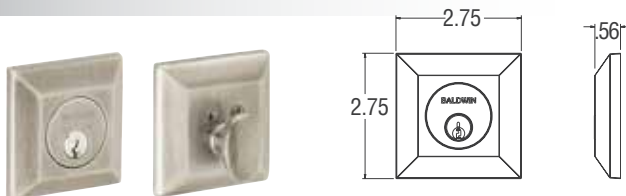


Item #	Description	Wt.	102, 112, 150	
			003	
8252.xxx	Single cylinder deadbolt	2.0	\$110	\$125

*QuickShip deadbolts are for 1.75" thick doors
**Thick door kits available at standard leadtimes

Comes with Adjustable Backset.

8254 Squared Deadbolt – 2 1/8" Door Prep



Item #	Description	Wt.	102, 112, 150	
			003	
8254.xxx	Single cylinder deadbolt	2.0	\$110	\$125

*QuickShip deadbolts are for 1.75" thick doors
**Thick door kits available at standard leadtimes

Comes with Adjustable Backset.

1035 3.5" x 3.5" – Square Corner

1035



Item #	Description	Per Box	Wt.	102, 112, 150, 260		003
1035.xxx.l	Hinge – 3.5" x 3.5"	1 each	0.7	\$38	\$48	

1040 4" x 4" – Square Corner

1040



Item #	Description	Per Box	Wt.	102, 112, 150, 260		003
1040.xxx.l	Hinge – 4" x 4"	1 each	0.8	\$41	\$51	

1135 3.5" x 3.5" – 5/8" Radius Corner

1135



Item #	Description	Per Box	Wt.	102, 112, 150, 260		003
1135.xxx.l	5/8" Radius Corner Hinge – 3.5" x 3.5"	1 each	0.7	\$26	\$36	

1140 4" x 4" – 5/8" Radius Corner

1140



Item #	Description	Per Box	Wt.	102, 112, 150, 260		003
1140.xxx.l	5/8" Radius Corner Hinge – 4" x 4"	1 each	0.8	\$29	\$39	

1435 3.5" x 3.5" – 1/4" Radius Corner

1435



Item #	Description	Per Box	Wt.	102, 112, 150, 260		003
1435.xxx.l	1/4" Radius Corner Hinge – 3.5" x 3.5"	1 each	0.7	\$26	\$36	

1440 4" x 4" – 1/4" Radius Corner

1440



Item #	Description	Per Box	Wt.	102, 112, 150, 260		003
1440.xxx.l	1/4" Radius Corner Hinge – 4" x 4"	1 each	0.8	\$29	\$39	

HOW TO ORDER MORTISE LOCKS

SUFFIX CHART

	Suffix	Minus Strike	With 1" Front*
Right hand	.R	.RDT	.R1DT
Left hand	.L	.LDT	.L1DT
Right hand Reverse bevel	.RR	.RRDT	.RR1DT
Left hand Reverse bevel	.LR	.LRDT	.LR1DT
Right hand Lever Strength	.RLS	.RLSDT	.RLS1DT
Left hand Lever Strength	.LLS	.LLSDT	.LLS1DT

*Applies to 2.5" backset locks. For 1" Front DT Distinguishes minus strike. If ordering with strike, do not include the DT note.

1. All Mortise Locks have a handed Suffix (.R or .L)
2. All Mortise Locks are either Knob Strength (no addition to Suffix) or Lever Strength (LS added to the Suffix)

WARNING: DO NOT USE Lever Strength mortise locks with knobs. They only turn one way and have a stiff turning action suitable for levers.

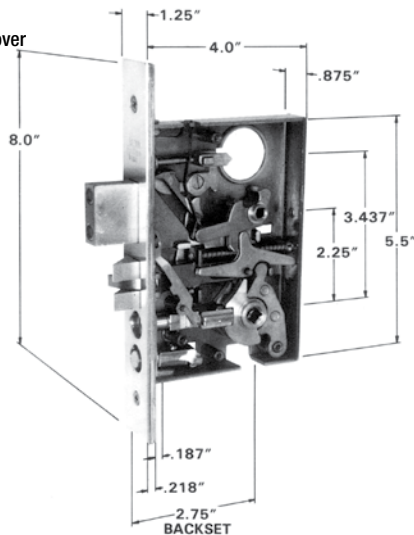
3. Other Mortise Lock options:
Reverse Bevel doors (RR or LR)
Minus Strike (DT), when an Extended Lip Strike is needed (order Strike separately) Optional 1" Front (1) for 1.375" doors
Optional 1" front for 1.375" doors are only available on 2.5" or smaller backsets
4. ALWAYS REVIEW SUFFIX CHART!

FOR MORE DETAILS CONSULT A BALDWIN ESTATE PRICEBOOK.

Available in QuickShip

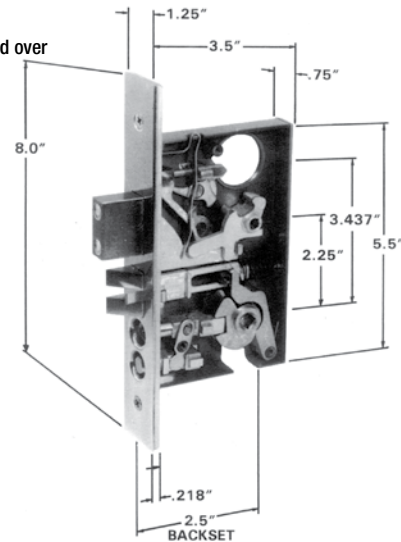
2.75" Backset

for doors 1.75" thick and over



2.5" Backset

for doors 1.375" thick and over



All 2.5" and 2.75" Entrance Mortise Locks are U/L Listed

Baldwin UL-listed 2.5" and 2.75" mortise locks meet US standard UL-10C and Canadian standard CAN4 S104-M80 for survival of a 3-hour burn under positive pressure. All Baldwin Estate Collection mortise entry trim and Estate Collection knob/lever trim may be used with Baldwin UL-listed mortise locks. NOTE: 1" lock fronts and locks less strike are NOT available in the QuickShip program.

List of available handling options	
	Suffix*
Right hand	.R
Left hand	.L
Right hand Lever Strength	.RLS
Left hand Lever Strength	.LLS

Item #	Description	Backset	Wt.	Std. Strike	102,		
					112, 150, 260	003, 055	
6020.xxx.Suffix*	Residential Entrance	Handleset x Knob/Lever	2.75"	3.0	6040	\$330	\$350
6021.xxx.Suffix*	Entrance – Emergency Egress	Handleset x Knob/Lever	2.75"	3.0	6040		
6320.xxx.Suffix*	Residential Entrance	Handleset x Knob/Lever	2.5"	3.0	6340	\$330	\$350
6321.xxx.Suffix*	Entrance – Emergency Egress	Handleset x Knob/Lever	2.5"	3.0	6340		

2.75" backsets comes with the 1.25" front.

2.5" backsets comes with the 1.25" front.

> Specify handing with Suffix* after finish designation (Suffix chart above left)

NOTE: Baldwin recommends the usage of 2.75" backset locks for doors thicker than 2" or doors 8ft or taller.

WARNING: DO NOT USE lever Strength mortise locks with knobs. They only turn one way and have a stiff turning action suitable for levers.

Single Cylinder – C Keyway

8323



Item #	Description	102,		
		112, 150, 260	003, 055	
8323.xxx	1.25" Mortise Cyl.	\$50	\$55	

QuickShip Cylinder is only for 1.75" Thick Doors. Other mortise lock components, including thick door kits and locks less strikes are available with standard lead times. Please consult the Baldwin Estate Price Book or contact Baldwin Customer Service for details.

BALDWIN®

19701 DA VINCI · LAKE FOREST · CALIFORNIA 92610

800.437.7448

BALDWINHARDWARE.COM