

WIND



The Wind lift system is characterised by compactness and elegant design.

Its movement is smooth and perfectly controlled. Wind is small and unobtrusive, enabling the maximum utilisation of cabinet internal space. Suitable for Kitchen cabinets, living room or bedroom furniture and office furniture.

In the kitchen environment, Wind has strong functional appeal - a compact adjustable lift system that takes up a minimum of valuable storage space.

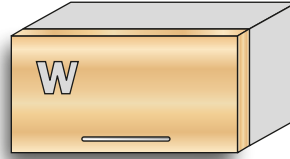
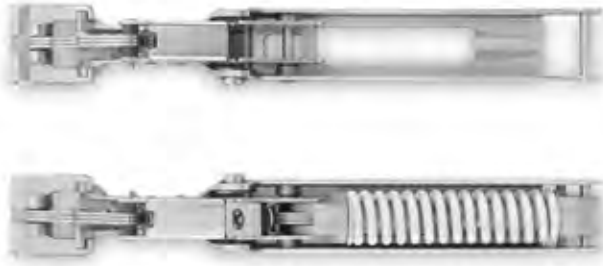
Aesthetics also play a key role with Wind's small size and streamlined shape adding significantly to the overall appeal of the cabinets to which it is installed.

Wind is available in a range of attractive finishes designed to complement the vast range of cabinet applications that it can be used for.

Wind Lift system is a simple program that covers a large variety of door sizes.

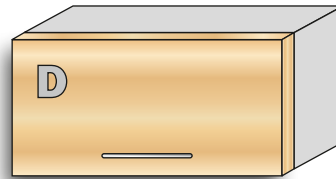
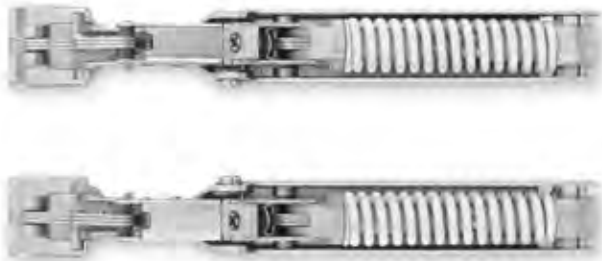


SPRING FORCE CODE



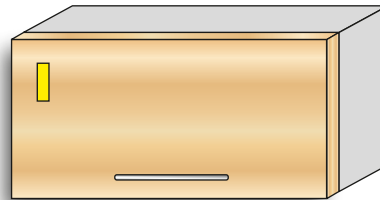
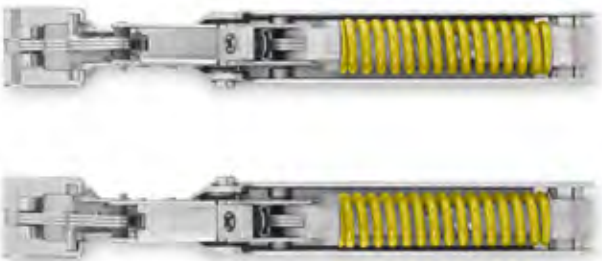
Min door weight - 1.75lbs
Min door height - 8-5/8"

Max door weight - 11.5lbs
Max door height - 12-9/16"



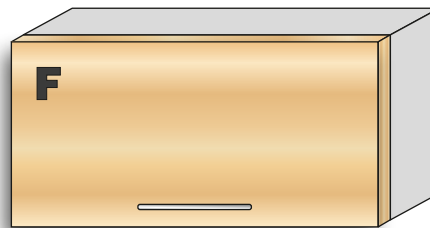
Min door weight - 4lbs
Min door height - 8-5/8"

Max door weight - 17lbs
Max door height - 24"



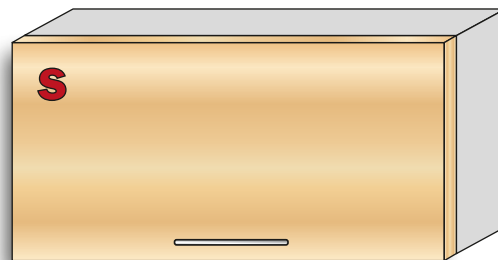
Min door weight - 10.5lbs
Min door height - 12-9/16"

Max door weight - 21lbs
Max door height - 24"



Min door weight - 18.5lbs
Min door height - 12-9/16"

Max door weight - 32lbs
Max door height - 24"

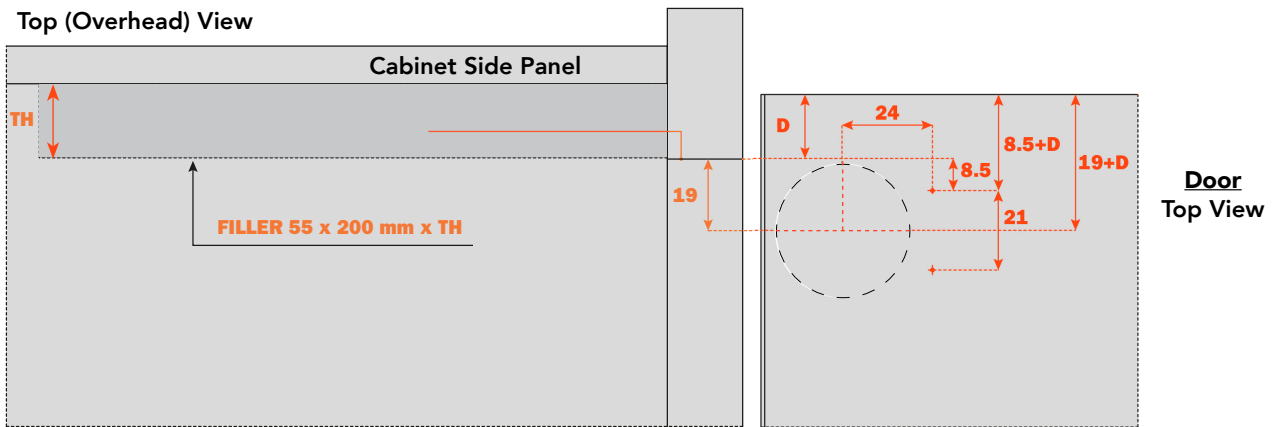
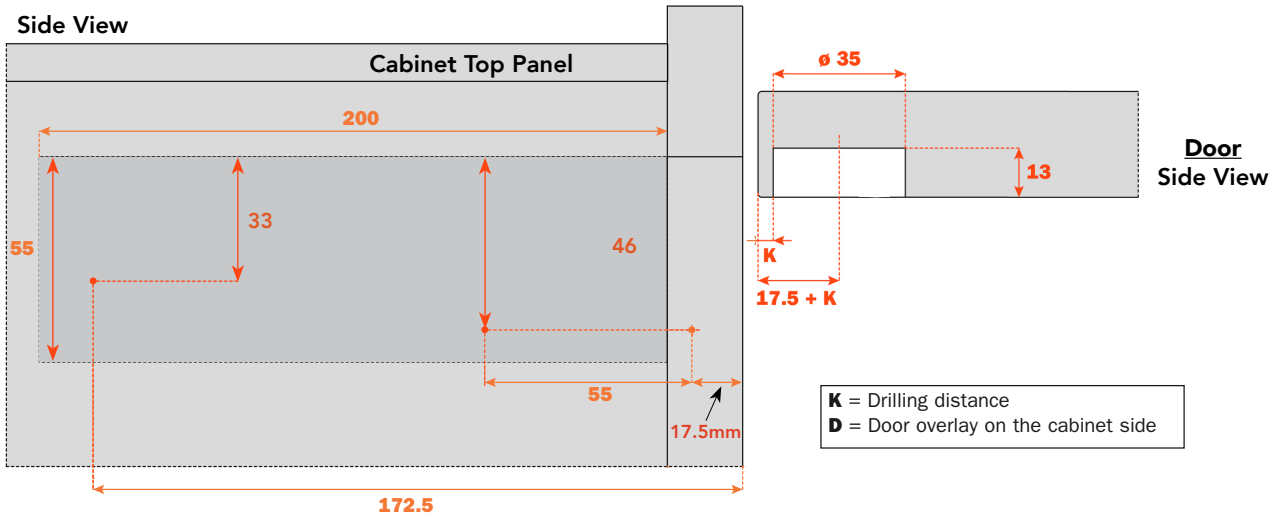


Min door weight - 26lbs
Min door height - 12-9/16"

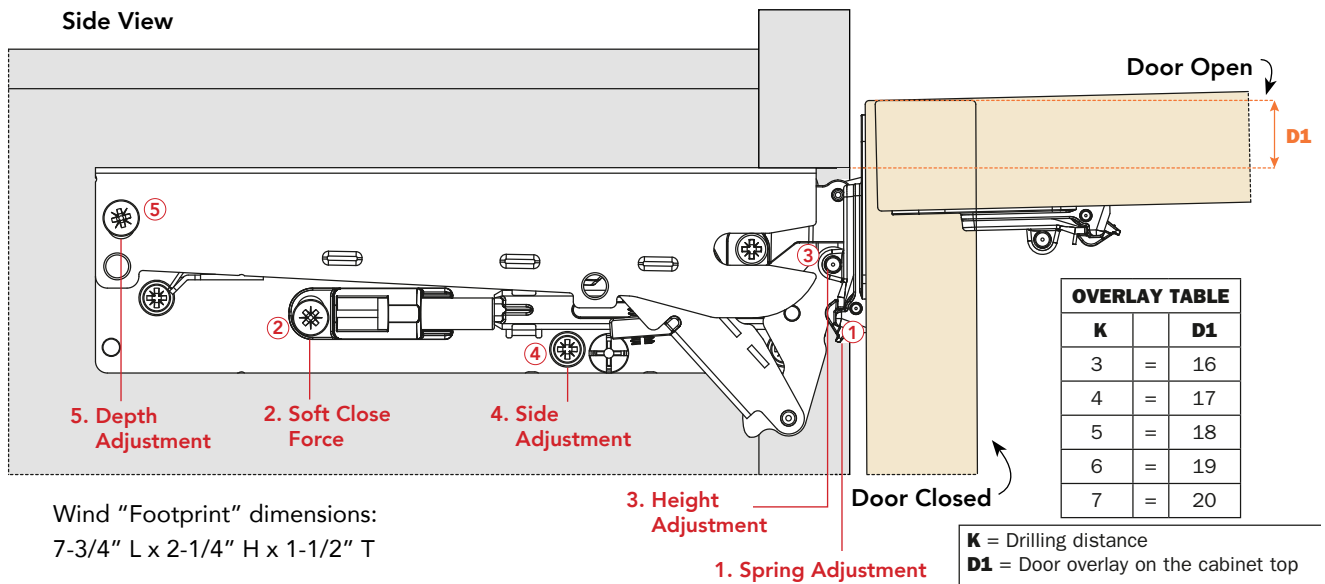
Max door weight - 41lbs
Max door height - 24"

Note: When calculating door weight, include the weight of the decorative hardware.

SALICE WIND Lift System Face Frame Overlay Drilling Pattern



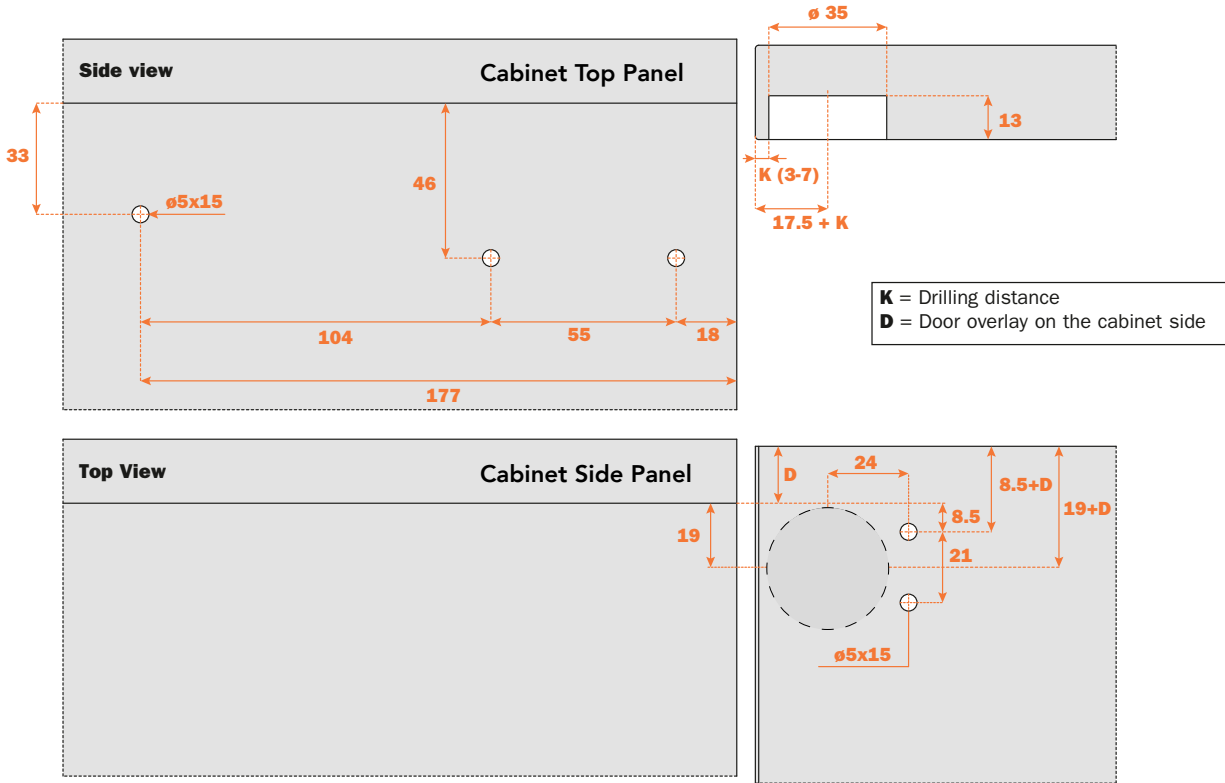
Space needed to open the door



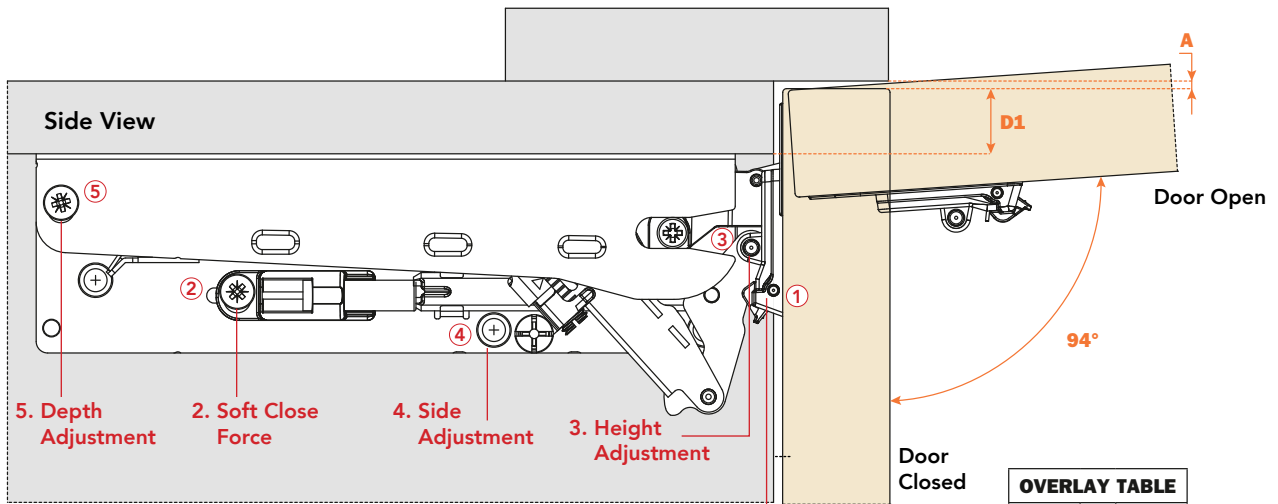
Wind "Footprint" dimensions:
7-3/4" L x 2-1/4" H x 1-1/2" T

SALICE WIND Lift System

Frameless Overlay Drilling Pattern



Space needed to open the door



MINIMUM REVEAL TABLE

	T=	16	17	18	19	20	21	22	23	24	25	26	27	28
K=3	A=	0	0.1	0.1	0.2	0.2	0.3	0.5	0.6	0.7	0.9	1.1	1.8	2.7
K=4	A=	0	0.1	0.1	0.2	0.2	0.3	0.4	0.6	0.7	0.9	1.1	1.3	2.1
K=5	A=	0	0.1	0.1	0.2	0.2	0.3	0.4	0.6	0.7	0.9	1.1	1.3	1.5
K=6	A=	0	0.1	0.1	0.2	0.2	0.3	0.4	0.6	0.7	0.9	1.0	1.2	1.5
K=7	A=	0	0.1	0.1	0.2	0.2	0.3	0.4	0.6	0.7	0.8	1.0	1.2	1.4

OVERLAY TABLE

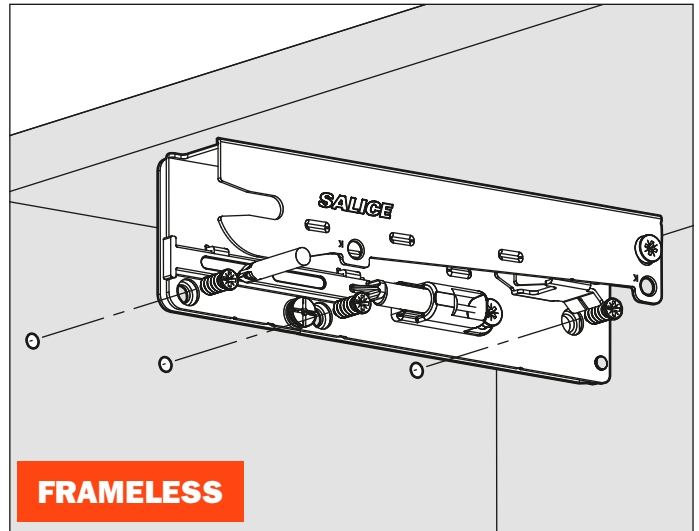
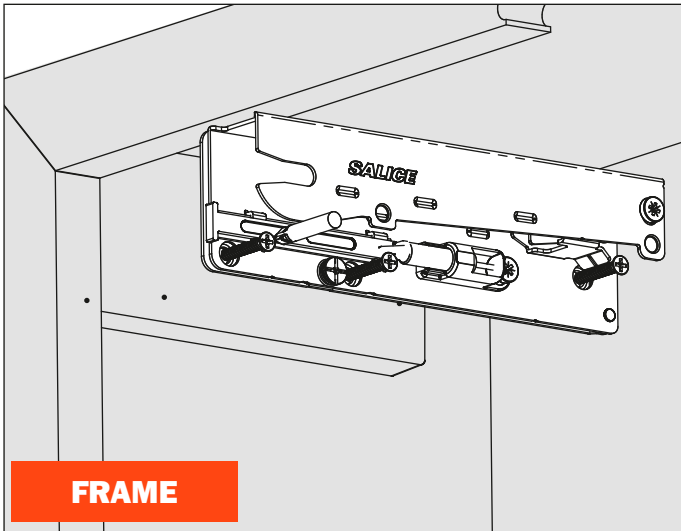
K	D1
3	= 16
4	= 17
5	= 18
6	= 19
7	= 20

K = Drilling distance
 D1 = Door overlay on the cabinet top
 A = Min Reveal

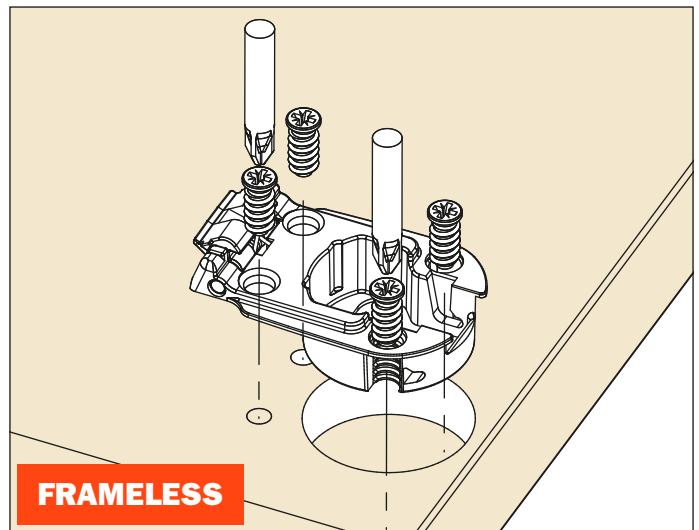
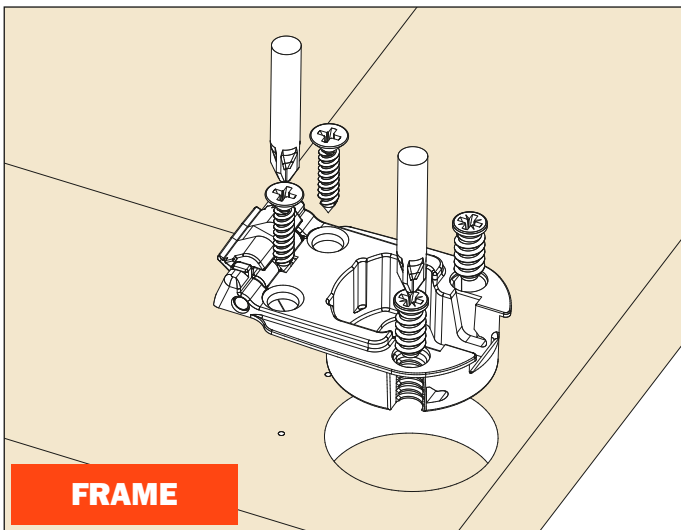
Assembly instructions

Attaching the base to the cabinet sides

Use 5mm x 13mm system screws or #7 x 5/8" wood screws.

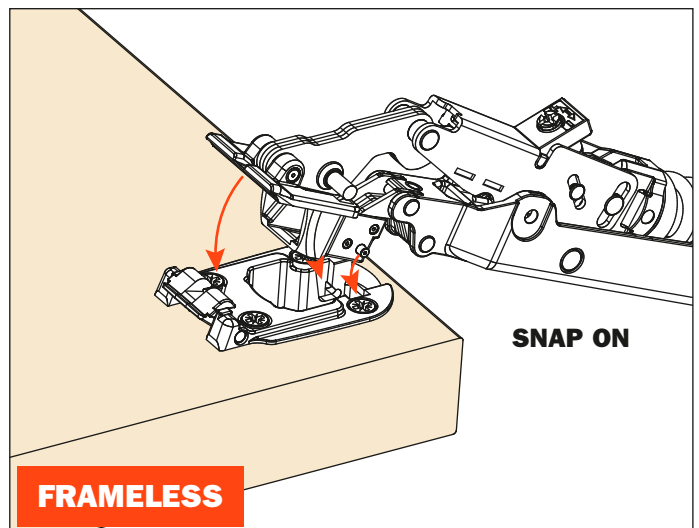
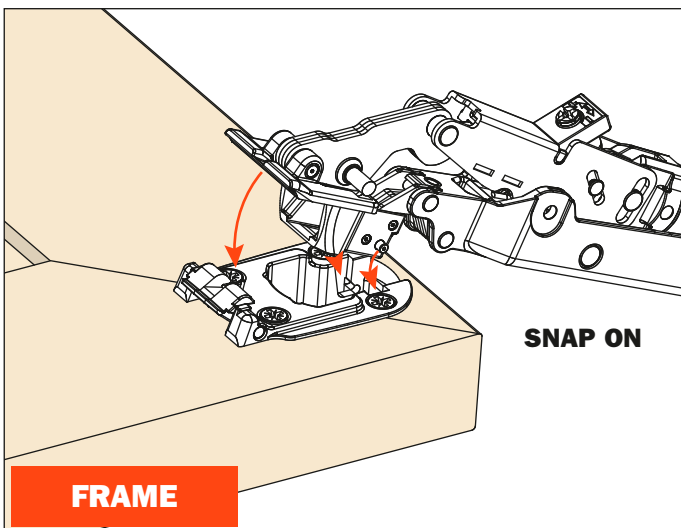


Installing the cups to the door



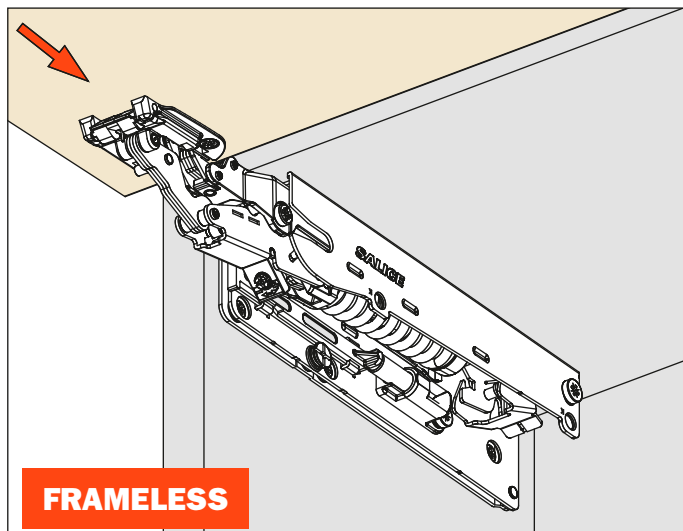
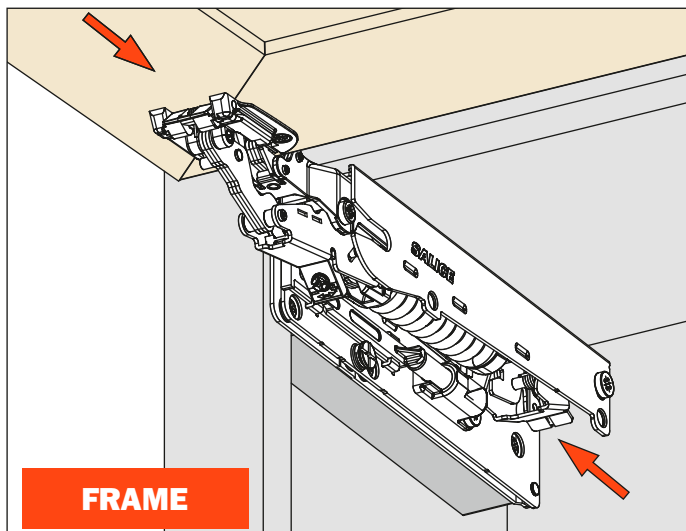
Connecting the lift mechanism to the cups

Connecting the lift mechanism to the cups. This operation is tool free.

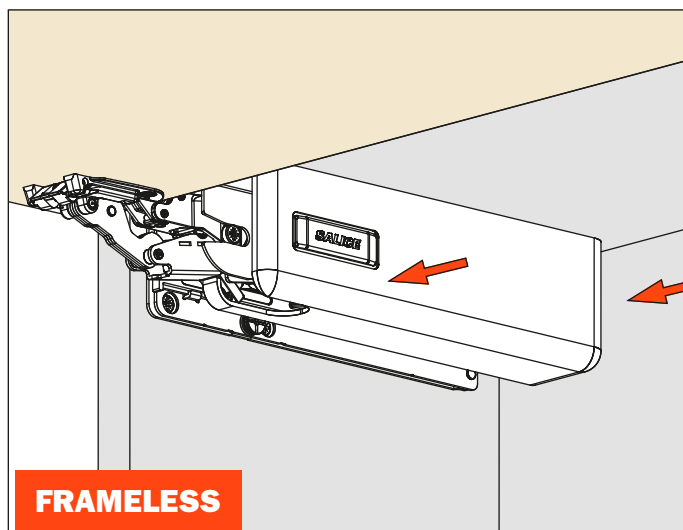
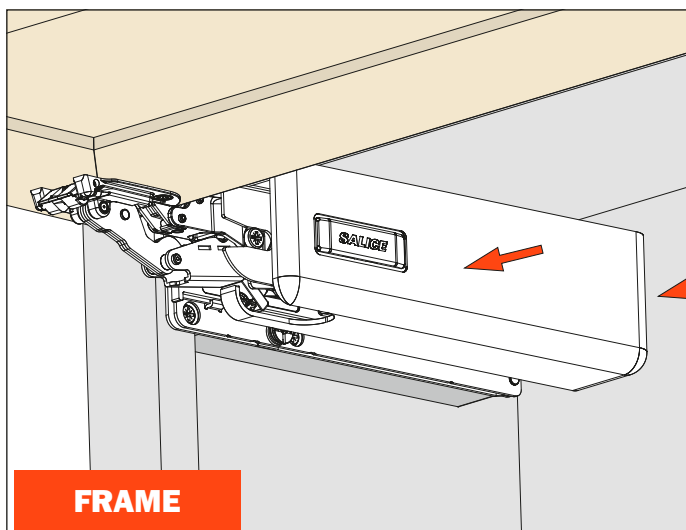


Connecting the lift system to the base

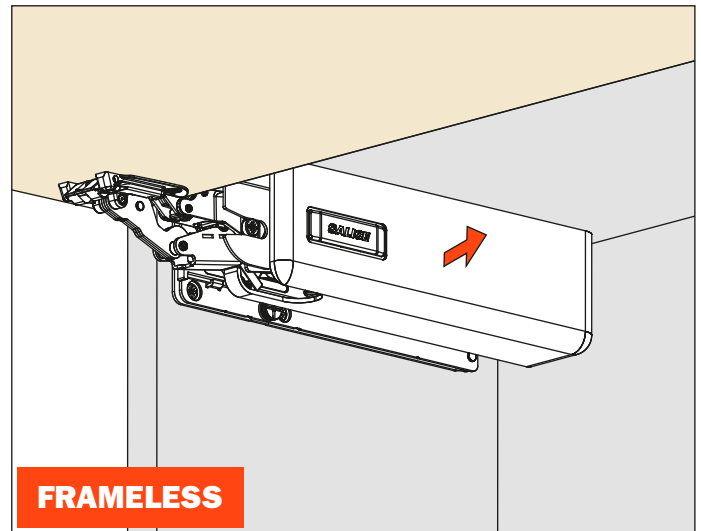
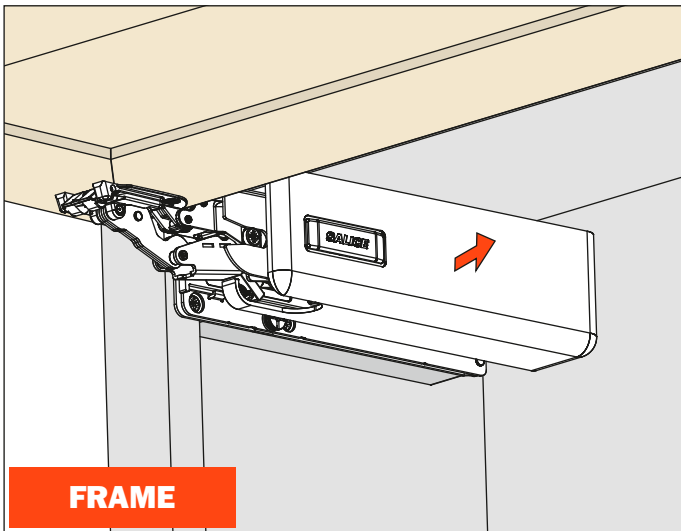
Connecting the lift system to the base. This operation is tool free.



Installing the covers

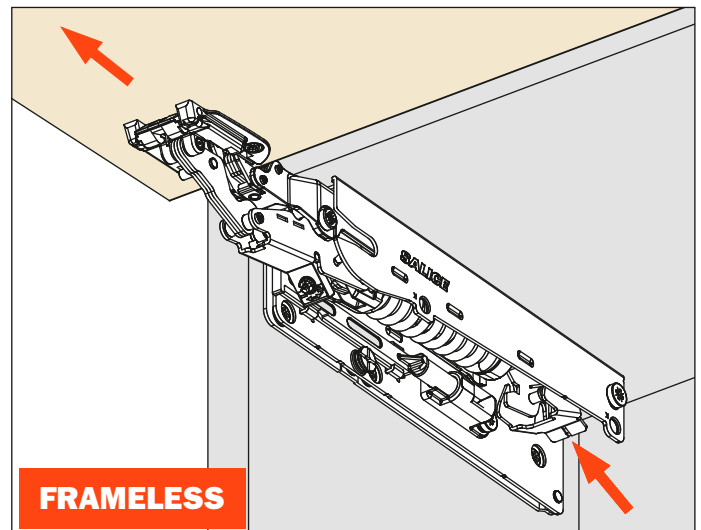
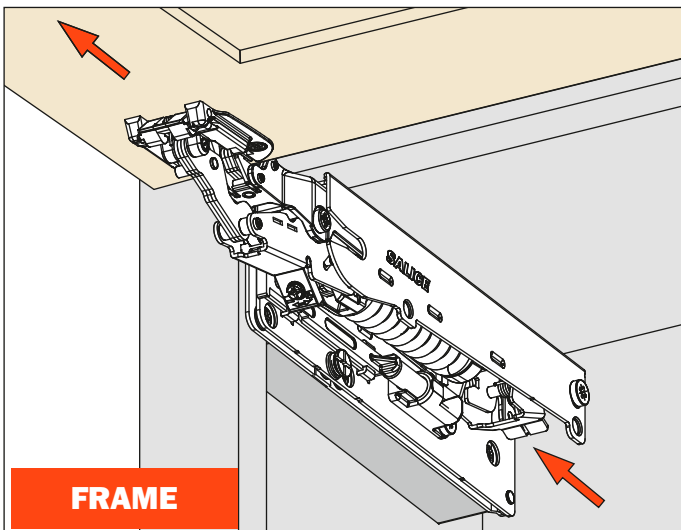


Removal of the covers



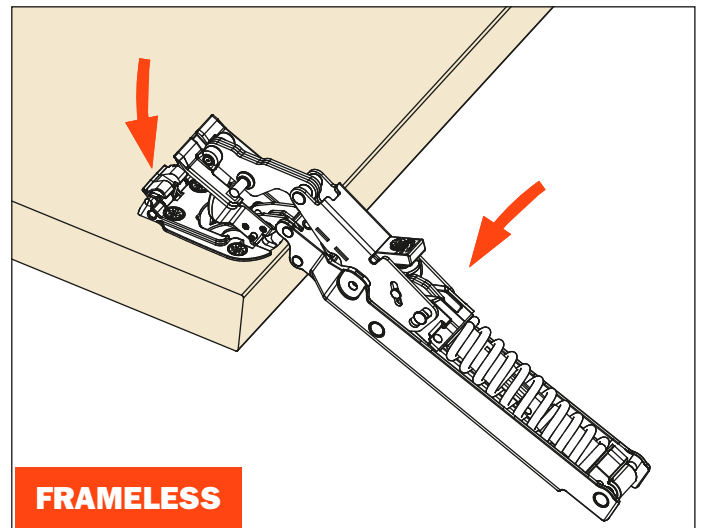
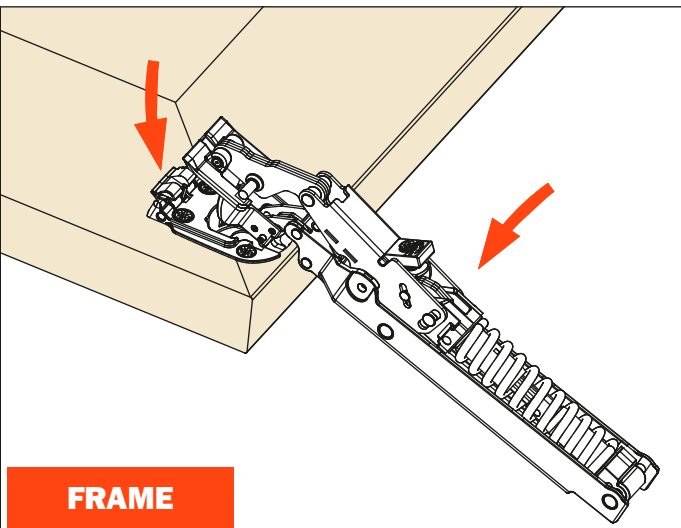
Disassembly of the system

Press the back lever and remove the lift mechanism. This operation is tool free.



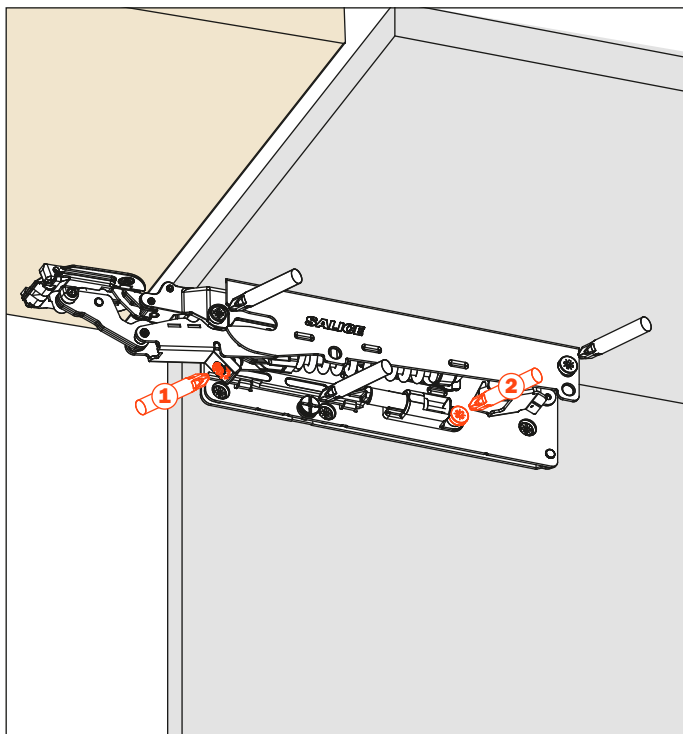
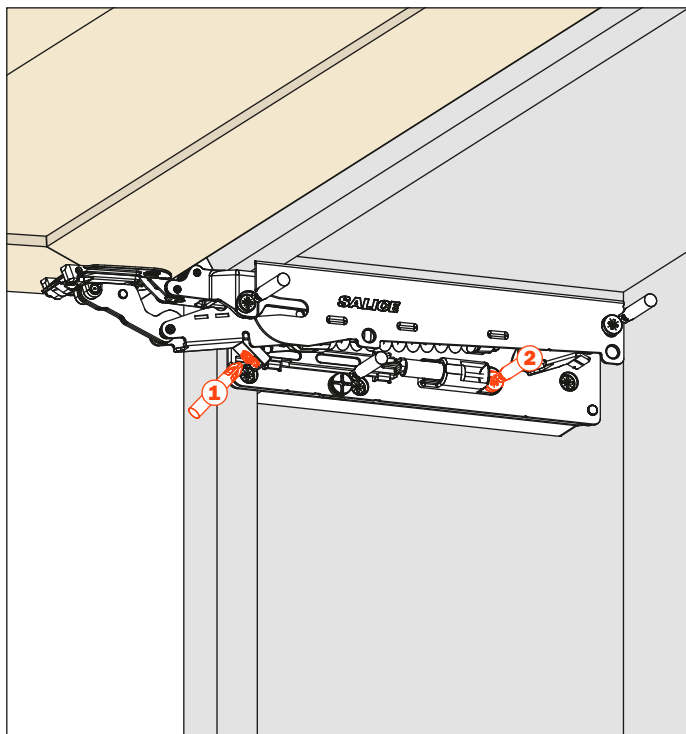
Remove the lift mechanism from the cups (door)

Disconnecting the system from the cups. This operation is tool free.



1 - adjustment of the spring force

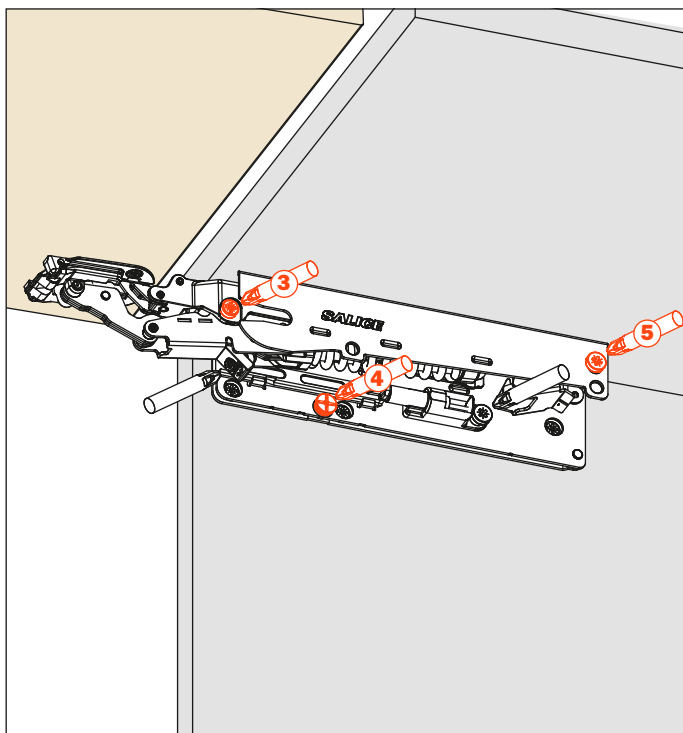
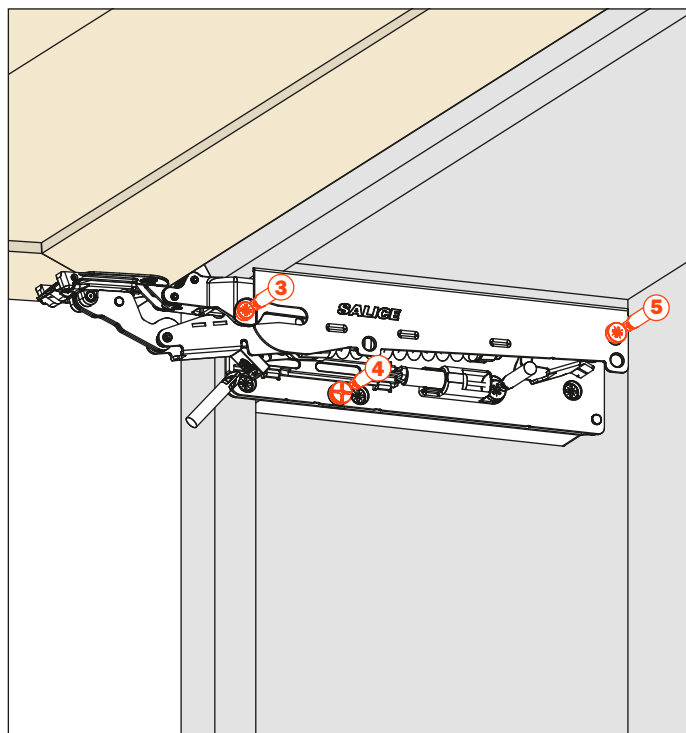
2 - adjustment of the soft close



3 - height adjustment of the door from +/- 2mm

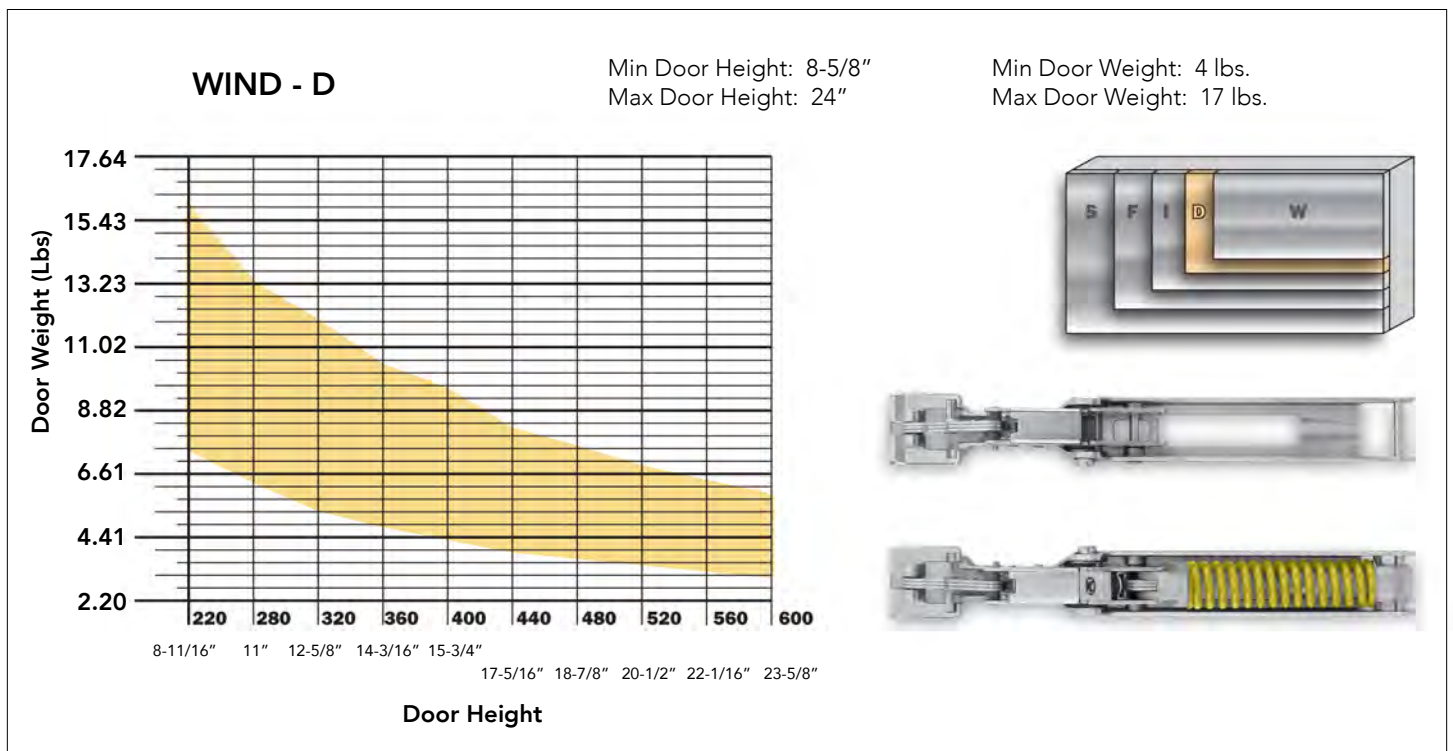
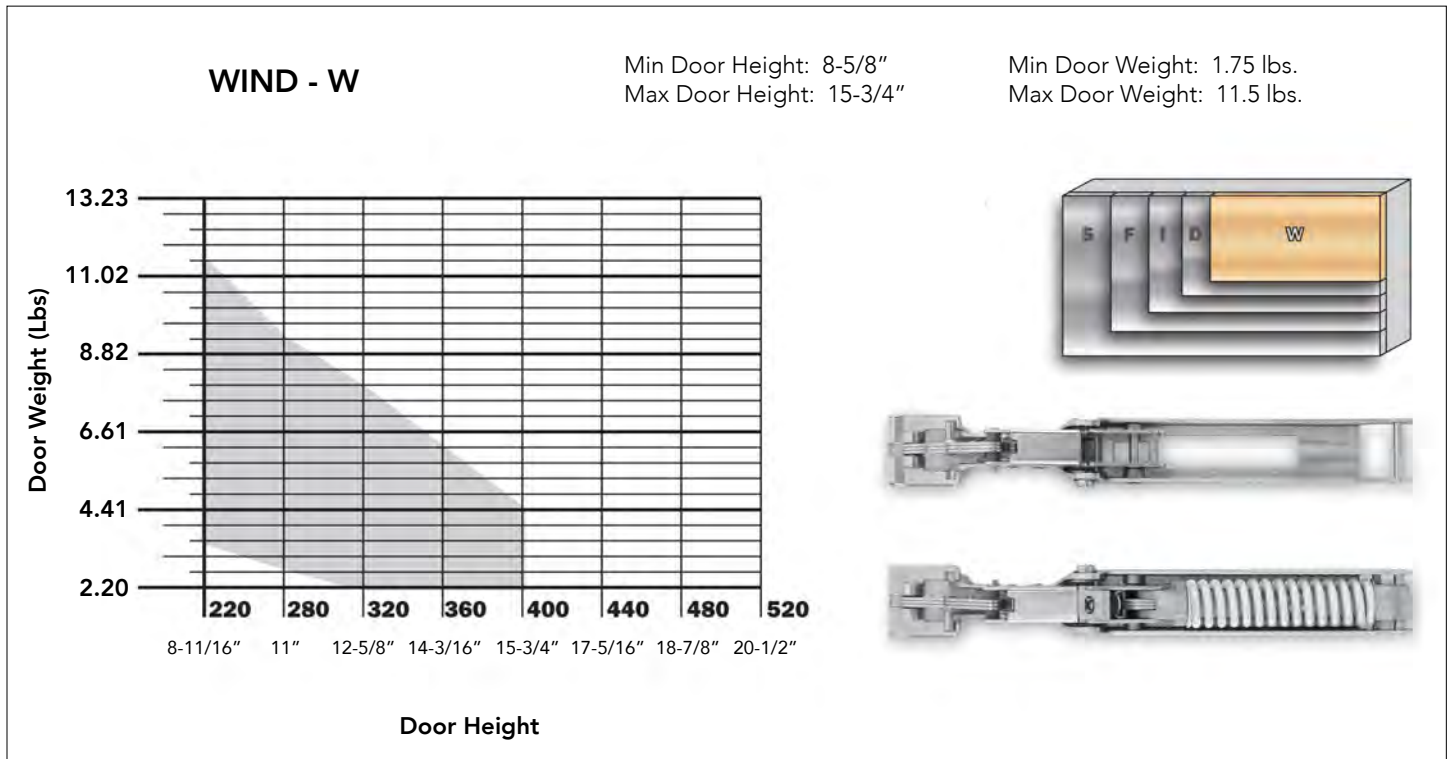
4 - side adjustment of the door from +/- 2mm

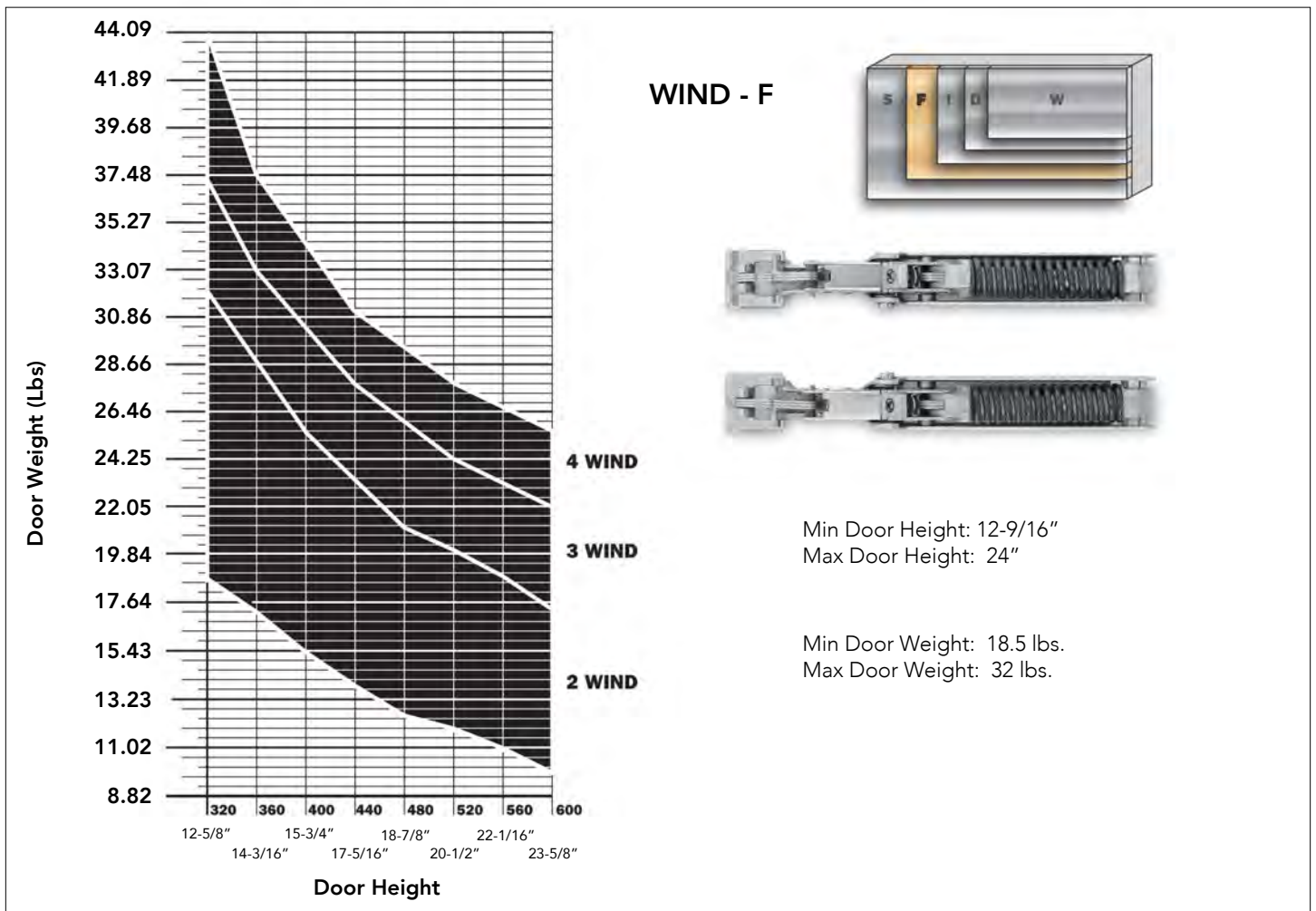
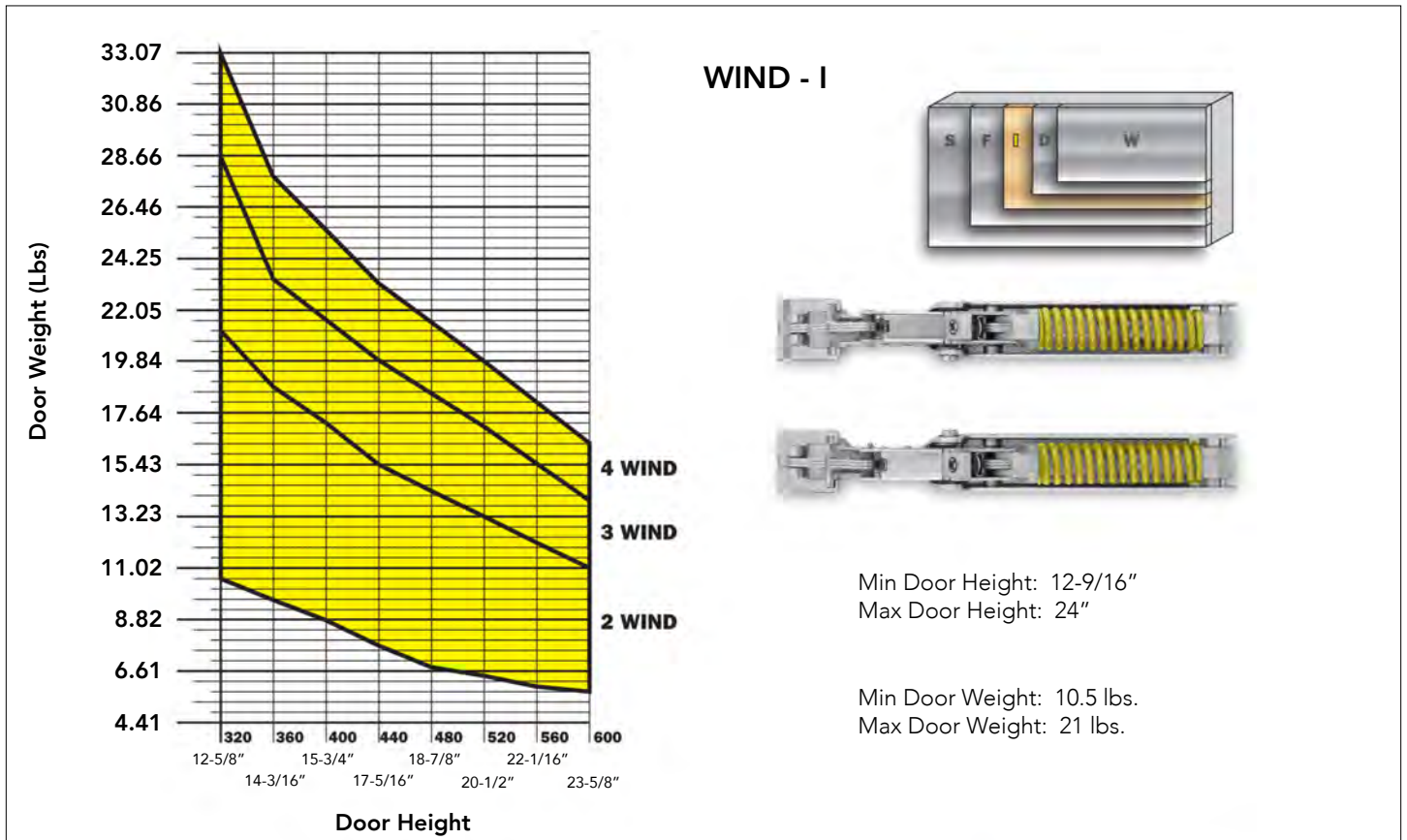
5 - depth adjustment of the door from +3mm / -1mm



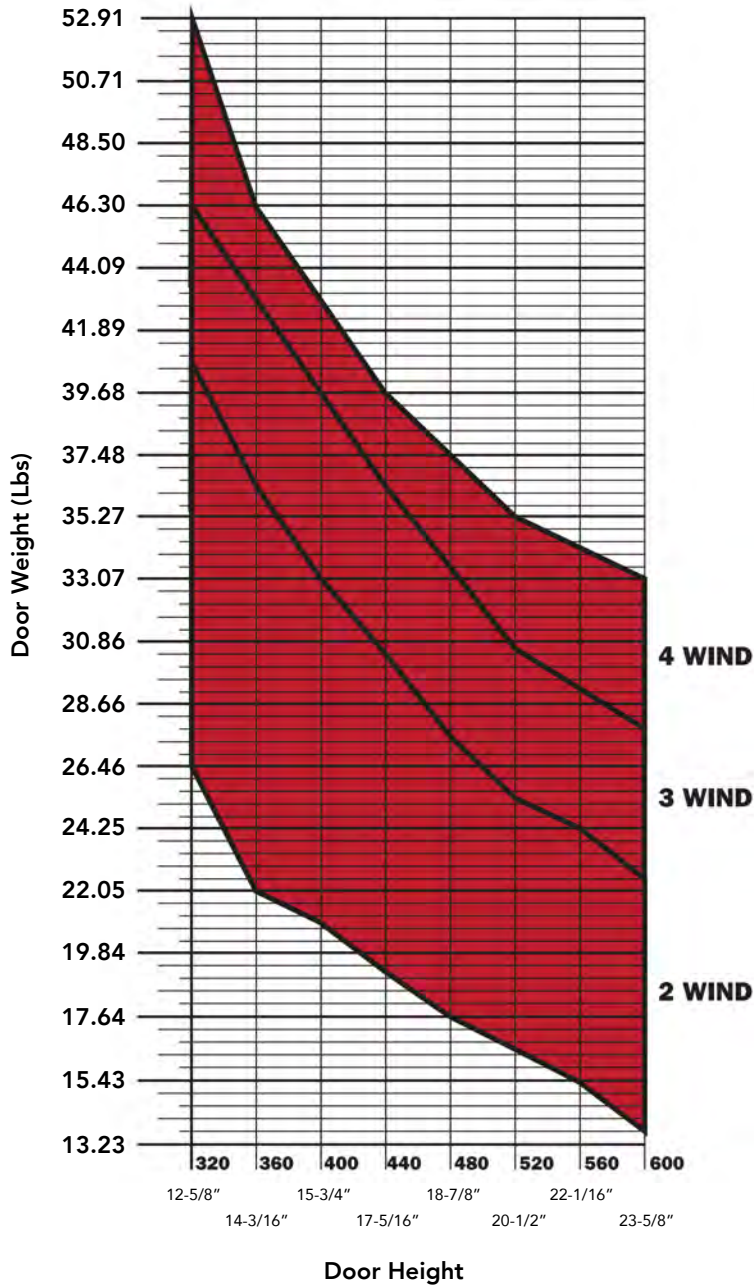
Charts and Spring force identification for Wind Kits

Use charts to determine the correct lift mechanism based on the door height and weight. When calculating the door weight you must include the weight of the decorative hardware. The maximum door width for two Wind lifts is 48" (1200mm). Note: Wind can be used on doors that are larger or heavier by adding additional Wind lifts to the cabinet and door. This can be done by installing a center partition and adding additional Wind lifts or by utilizing the Top Mount Brackets with additional Wind lifts.





WIND - S



Min Door Height: 12-9/16"
Max Door Height: 24"

Min Door Weight: 26 lbs.
Max Door Weight: 41 lbs.