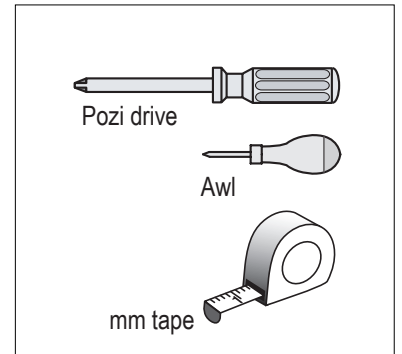
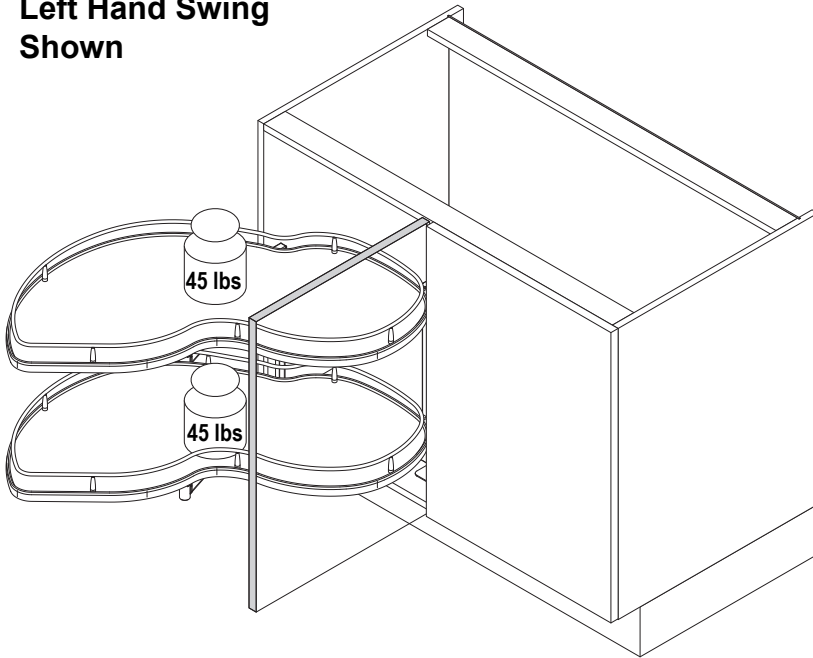


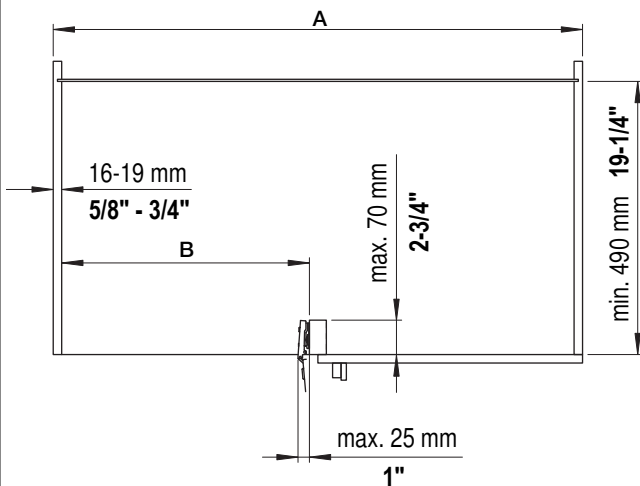
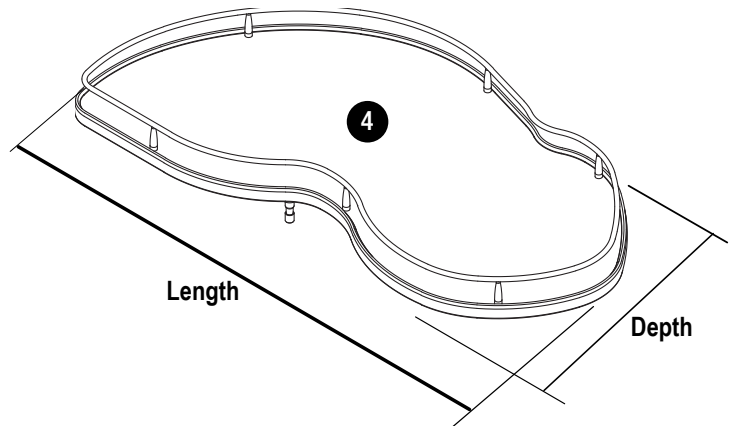
# TWIN CORNER

**Left Hand Swing  
Shown**

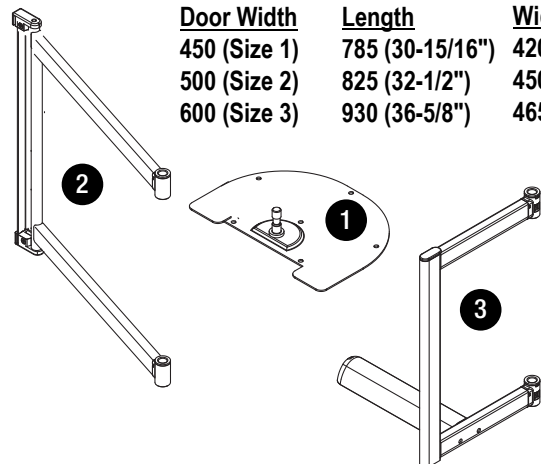


**Stock #s**

	A (min)	B	left hand	right hand
450 (17-3/4")	900 (35-7/16")	min 411 (16-3/16")	90002409	90002410
500 (19-11/16")	1000 (39-3/8")	min 461 (18-1/8")	90002411	90002412
600 (23-5/8")	1200 (47-1/4")	min 561 (22-1/16")	90002517	90002518



Door Width	Length	Width
450 (Size 1)	785 (30-15/16")	420 (16-9/16")
500 (Size 2)	825 (32-1/2")	450 (17-3/4")
600 (Size 3)	930 (36-5/8")	465 (18-5/16")



44007637\_01

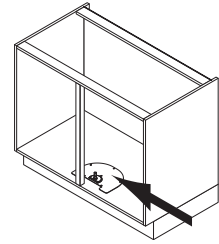
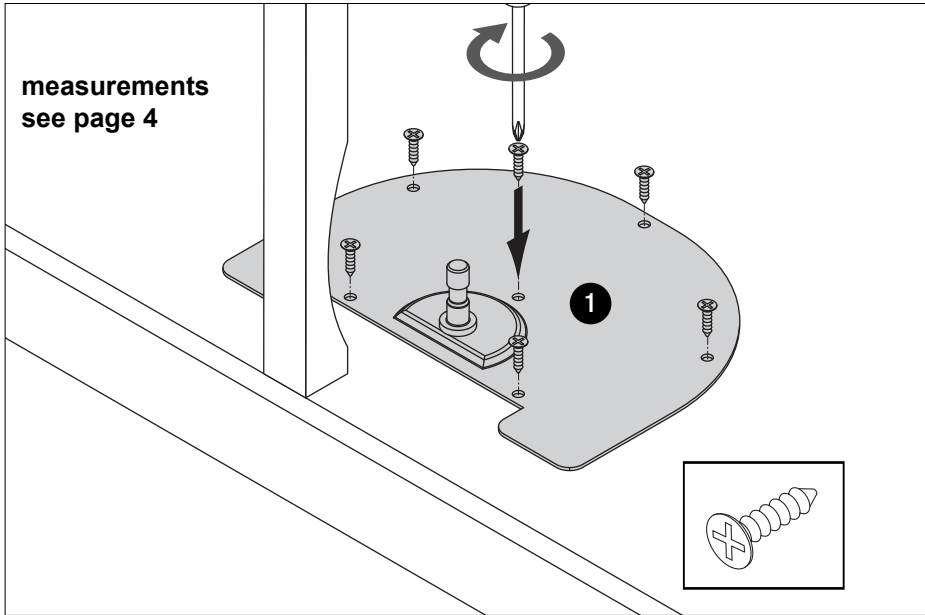


**1**

measurements  
see page 4



**A**



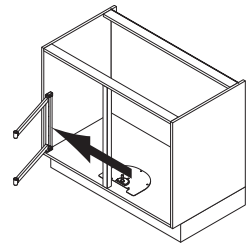
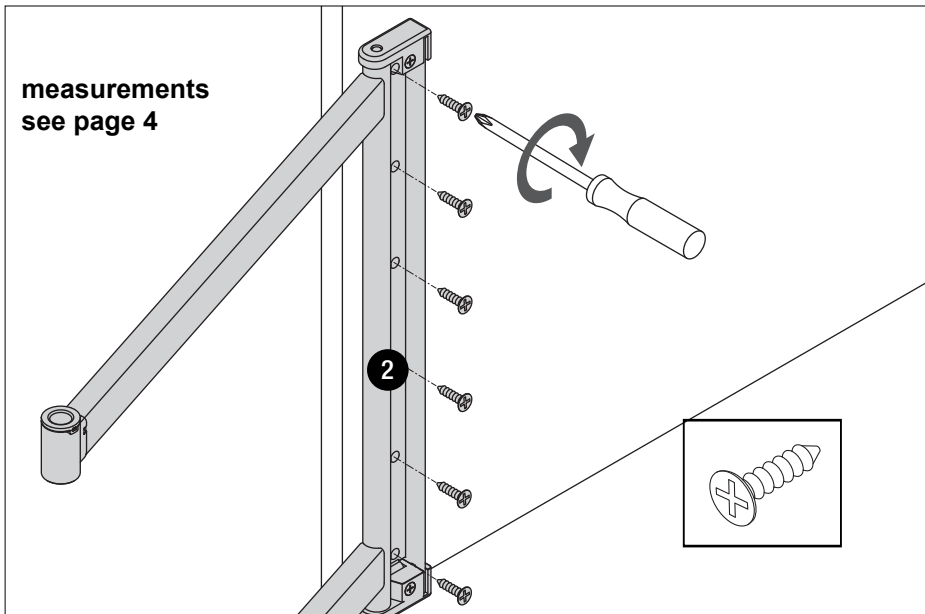
#8 x 5/8"  
4.0 x 16mm

**2**

measurements  
see page 4

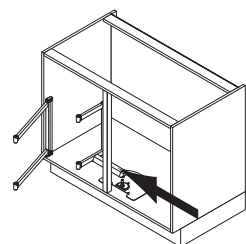
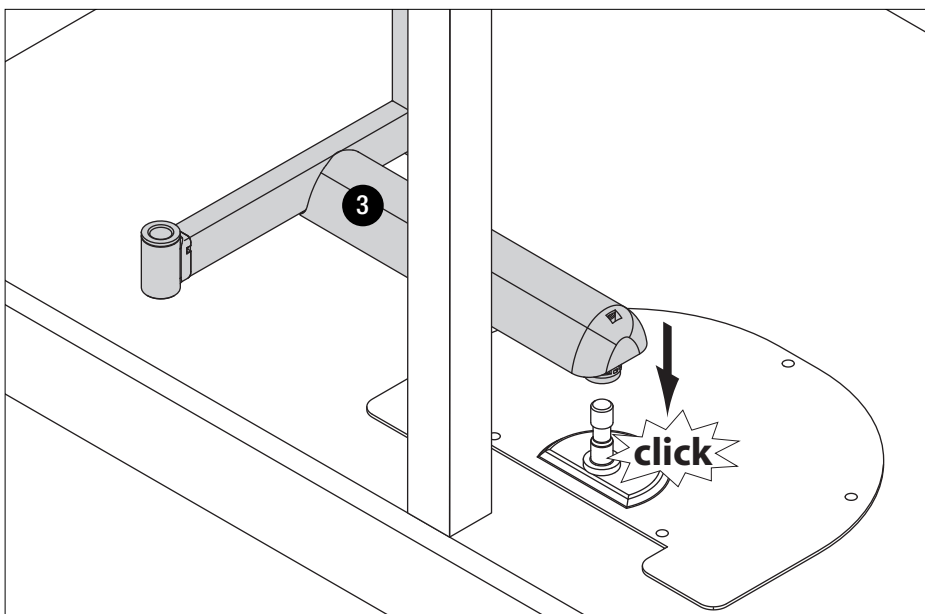


**B**

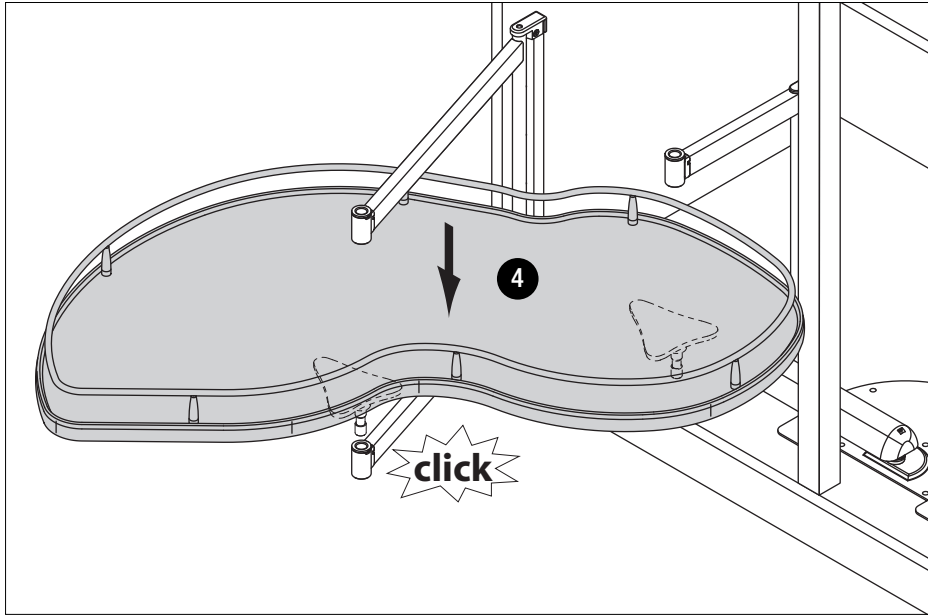


#8 x 5/8"  
4.0 x 16mm

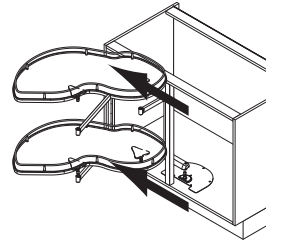
**3**



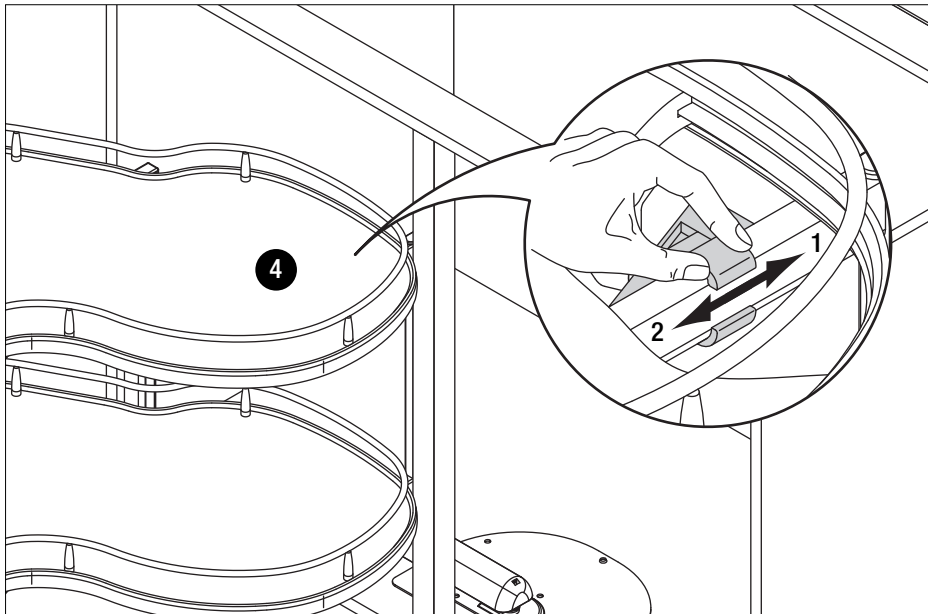
4



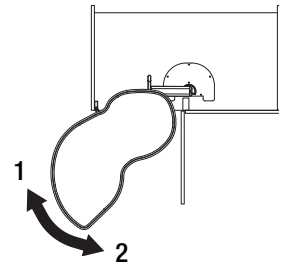
Mount Shelf



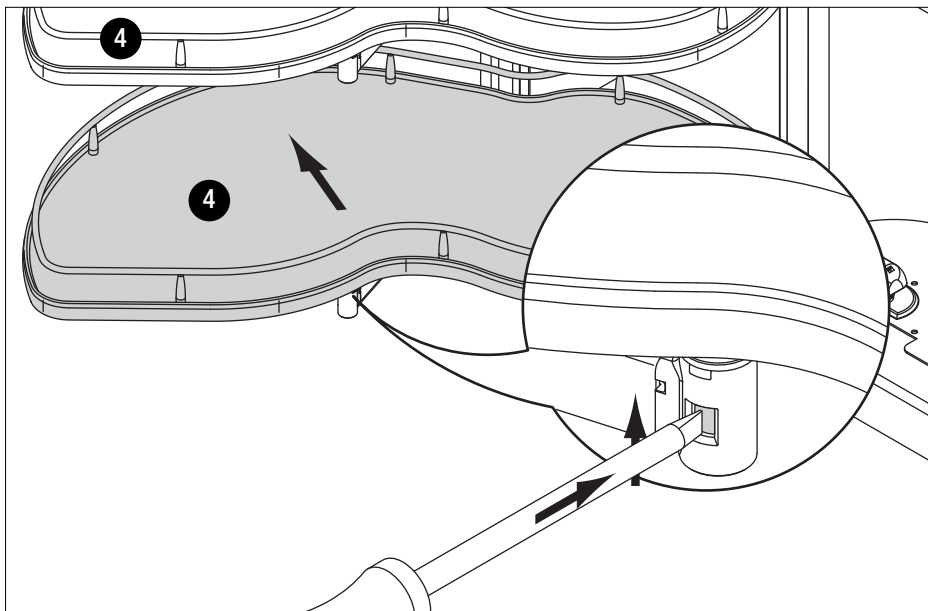
5



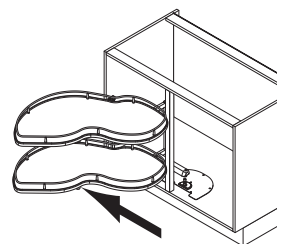
Adjust Swing Angle:



6

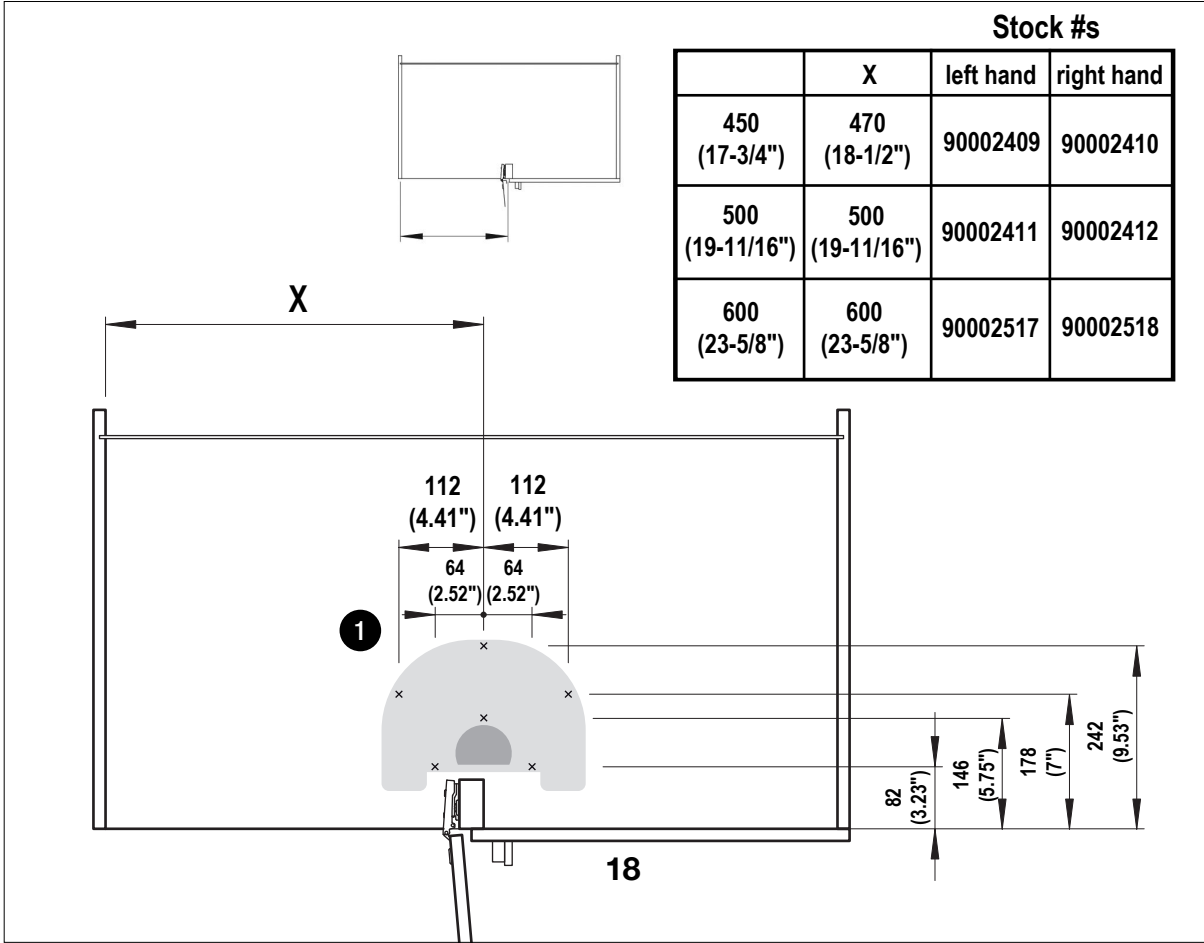
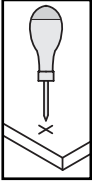


To Remove Shelf:





**A**



**B**

